



MICRO- 
PARTS CATALOG

(K)Z900 - A4 1976

Rahmen Nr. Z1F-085701 ~

Motor Nr. Z1E 086001 ~

Farbe: Diamond Dark Green, Diamond Brown



Right Side View



Left Side View

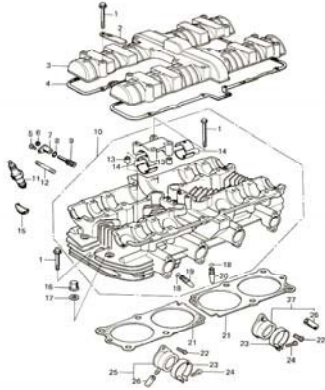
Kawasaki (K)Z900-A4 1976

Index	page
1. Cylinder Head	8
2. Cam Shaft, Valve	10
3. Cylinder, Piston, Crank Shaft	12
4. Cam Chain, Tensioner	14
5. Crank Case	16
6. Crank Case Bolt & Stud Pattern	18
7. Clutch	20
8. Transmission Gears	22
9. Gear Change Mechanism	26
10. Kickstarter	28
11. Engine Covers	30
12. Carburetors	32
13. Oil Pump, Oil Filter	38
14. Mufflers, Air Cleaner	40
15. Contact Breaker, Spark Advancer	42
16. Starting Motor, Dynamo	44
17. Frame	46
18. Swinging Arm, Rear Shock Absorber	50
19. Footrests, Stands, Brake Pedal	52
20. Handlebar, Grips	54
21. Fenders	56
22. Wheels	60
23. Front Hub	62
24. Rear Hub	64
25. Disc Brake Equipments A	66
26. Disc Brake Equipments B	68
27. Front Fork	70
28. Fuel Tank	74
29. Side Covers	76
30. Dual Seat, Chain Cover	78
31. Cables	80
32. Electrical Equipments A	82
33. Electrical Equipments B	84
34. Electrical Equipments C	86
35. Electrical Equipments D	88
36. Tools	90
37. Special Service Tools	92
38. N° Verzeichnis	94

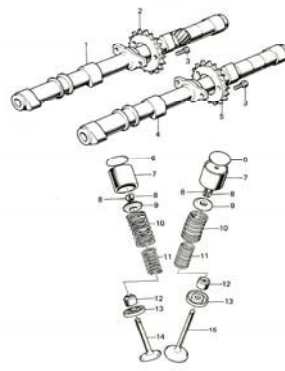
**NLA = nicht mehr lieferbar****NLA = n'est plus livrable****NLA = non è più disponibile**

Pictorial Index 1/5

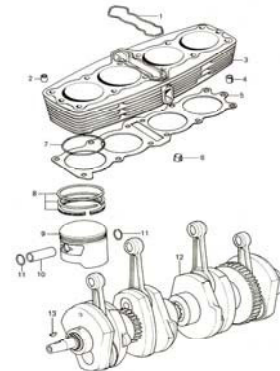
1. Cylinder Head



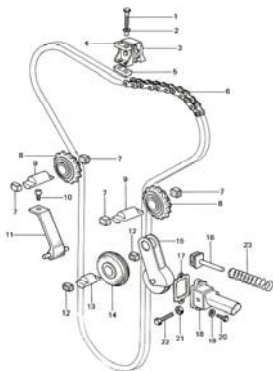
2. Cam Shaft, Valve



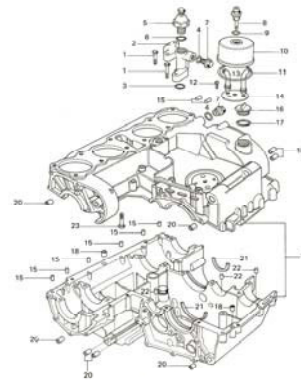
3. Cylinder, Piston, Crank Shaft



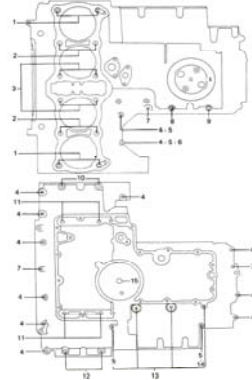
4. Cam Chain, Tensioner



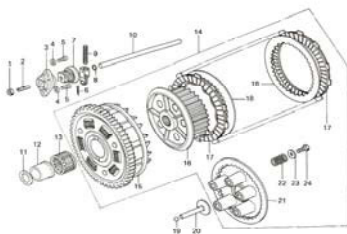
5. Crank Case



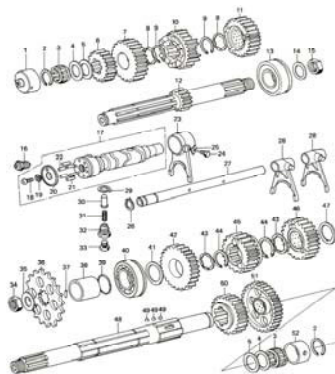
6. Crank Case Bolt & Stud Pattern



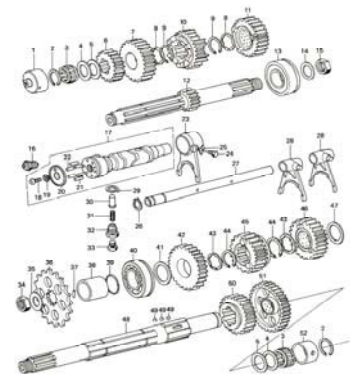
7. Clutch



8. Transmission Gears 1/2

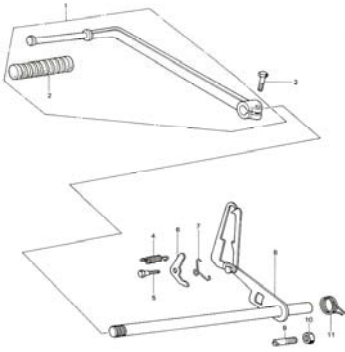


8. Transmission Gears 2/2

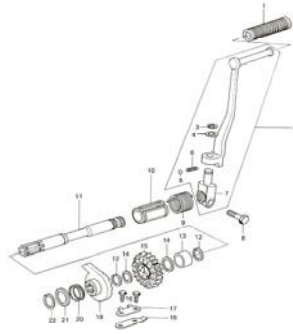


Pictorial Index 2/15

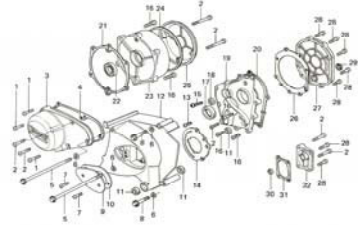
9. Gear Change Mechanism



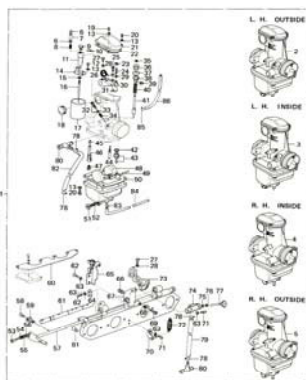
10. Kickstarter



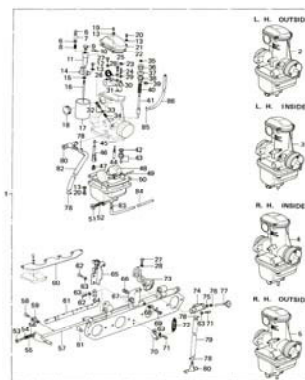
11. Engine Covers



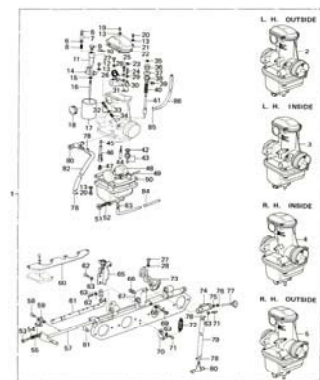
12. Carburetors 1/3



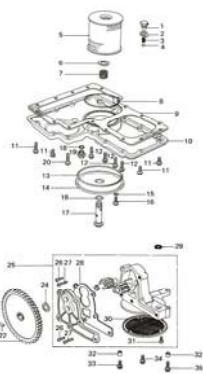
12. Carburetors 2/3



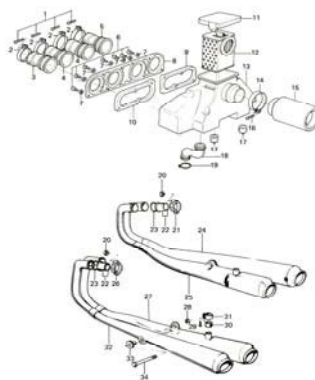
12. Carburetors 3/3



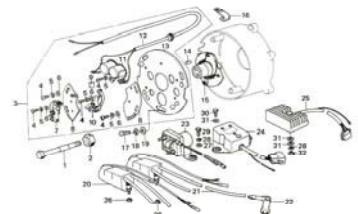
13. Oil Pump, Oil Filter



14. Mufflers, Air Cleaner

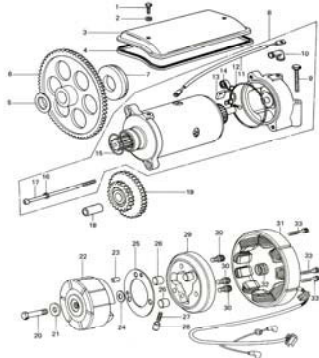


15. Contact Breaker

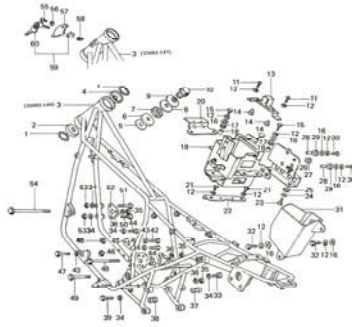


Pictorial Index 3/5

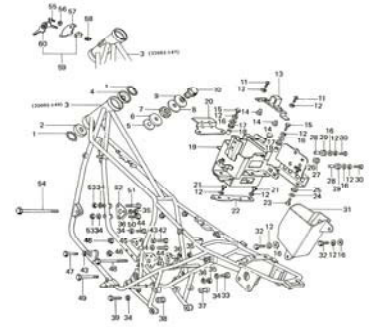
16. Starter Motor, Dynamo



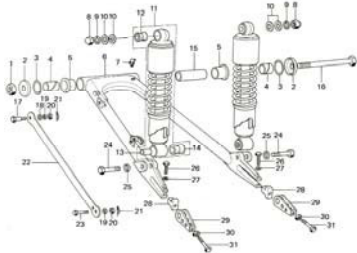
17. Frame 1/2



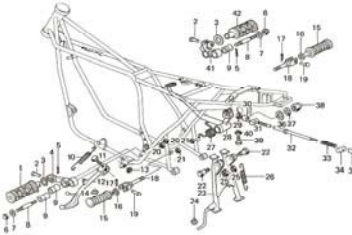
17. Frame 1/2



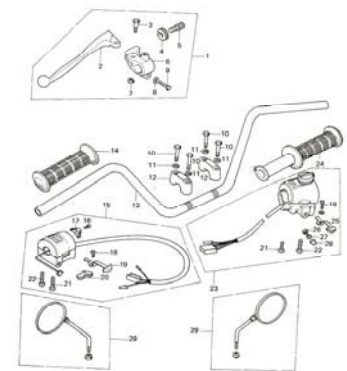
18. Swinging Arm, Rear Shock Abs.



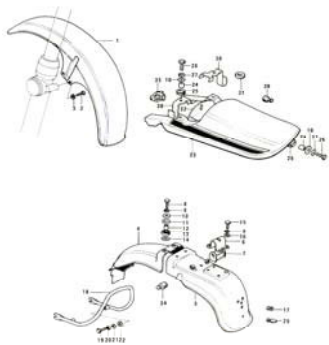
19. Footrests, Stands, Brake Pedal



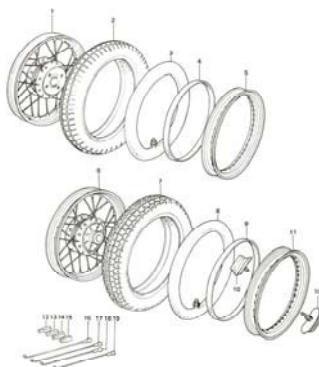
20. Handlebar, Grips



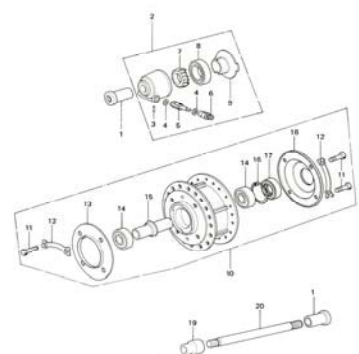
21. Fenders



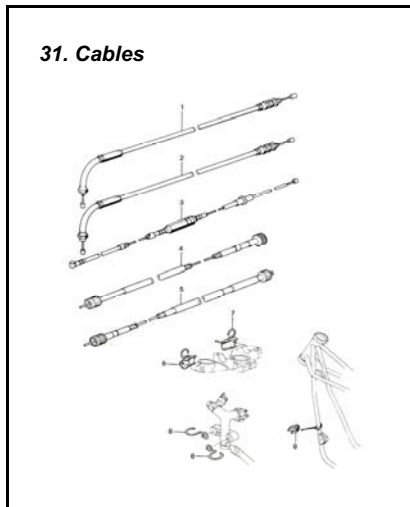
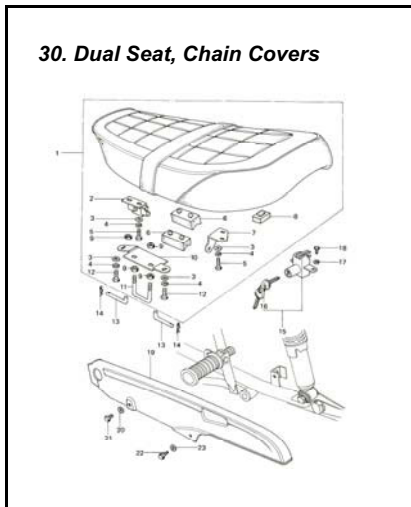
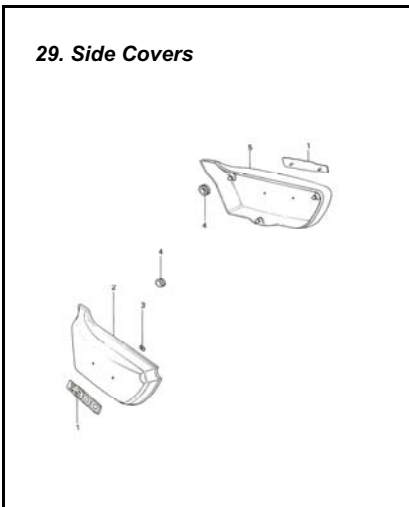
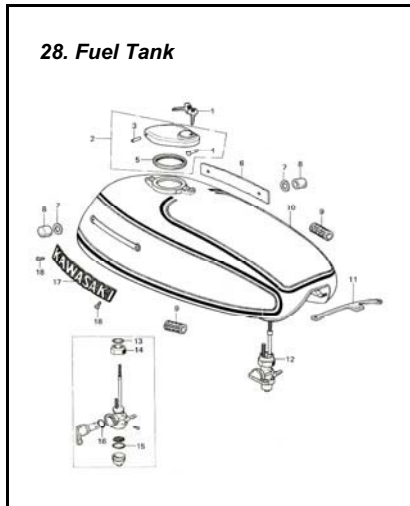
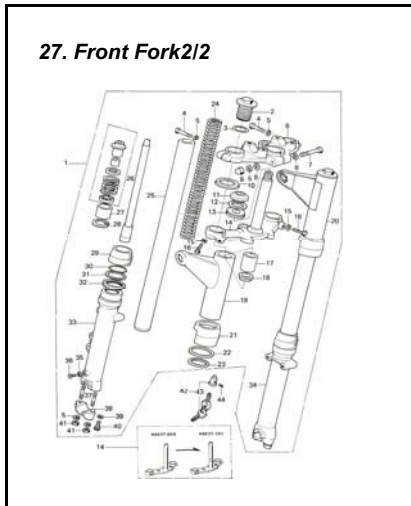
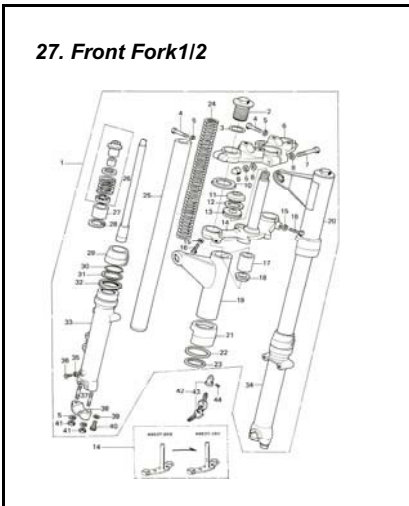
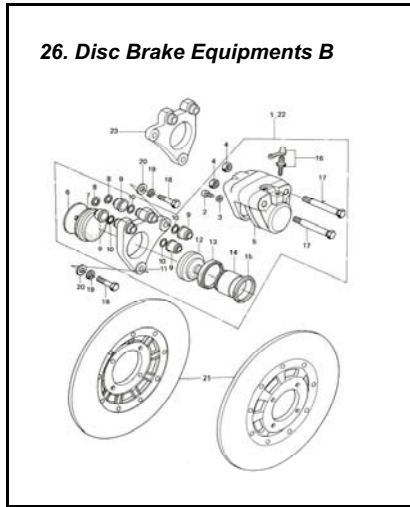
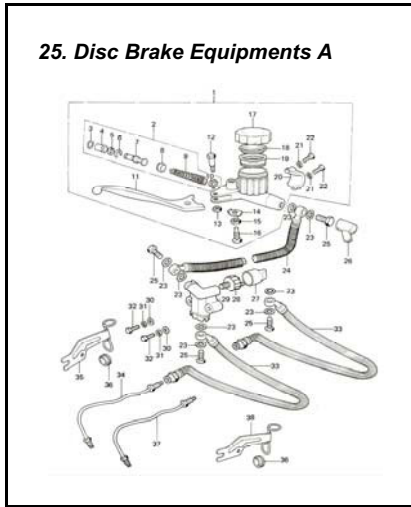
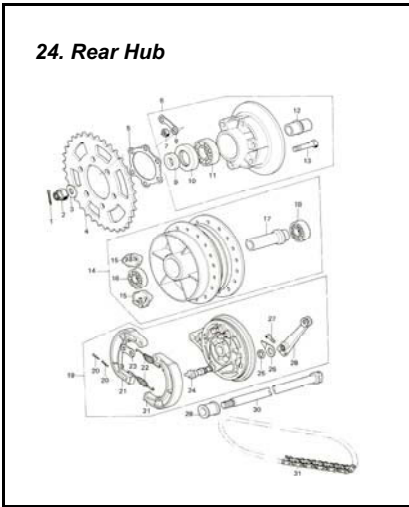
22. Wheels



23. Front Hub

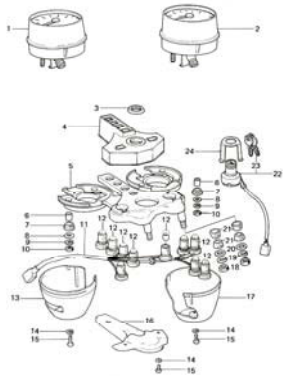


Pictorial Index 4/5

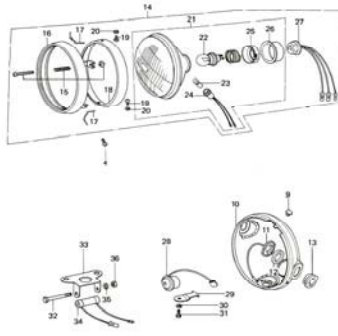


Pictorial Index 5/5

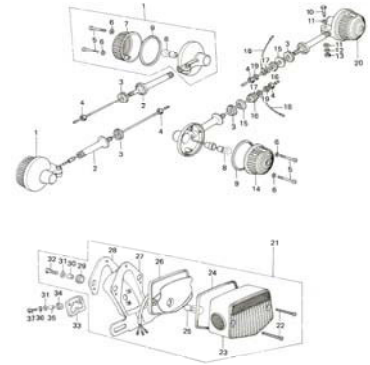
32. Electrical Equipments A 1



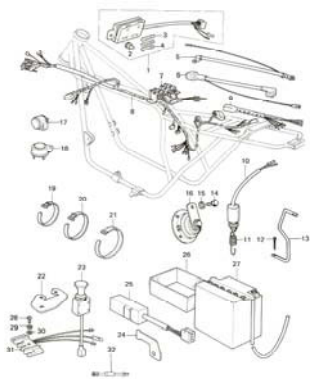
33. Electrical Equipments B



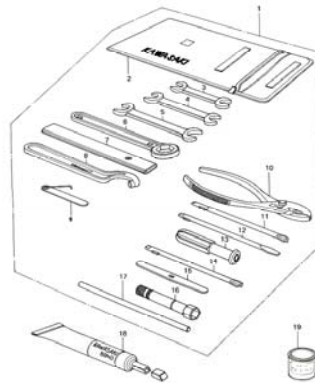
34. Electrical Equipments C



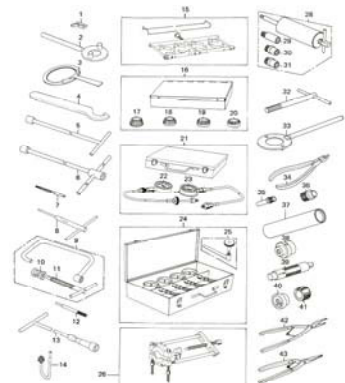
35. Electrical Equipments D



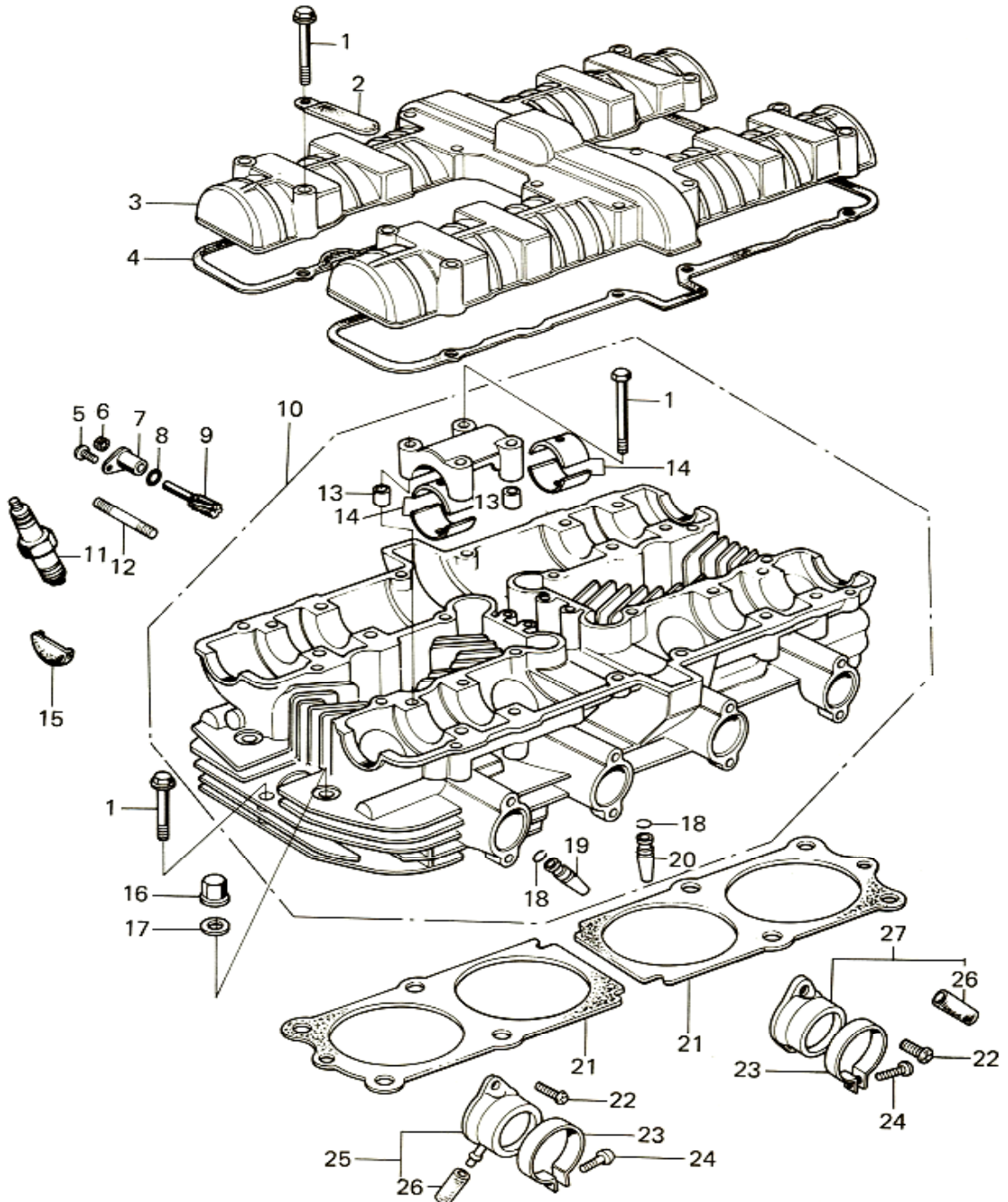
36. Tools



37. Special Service Tools



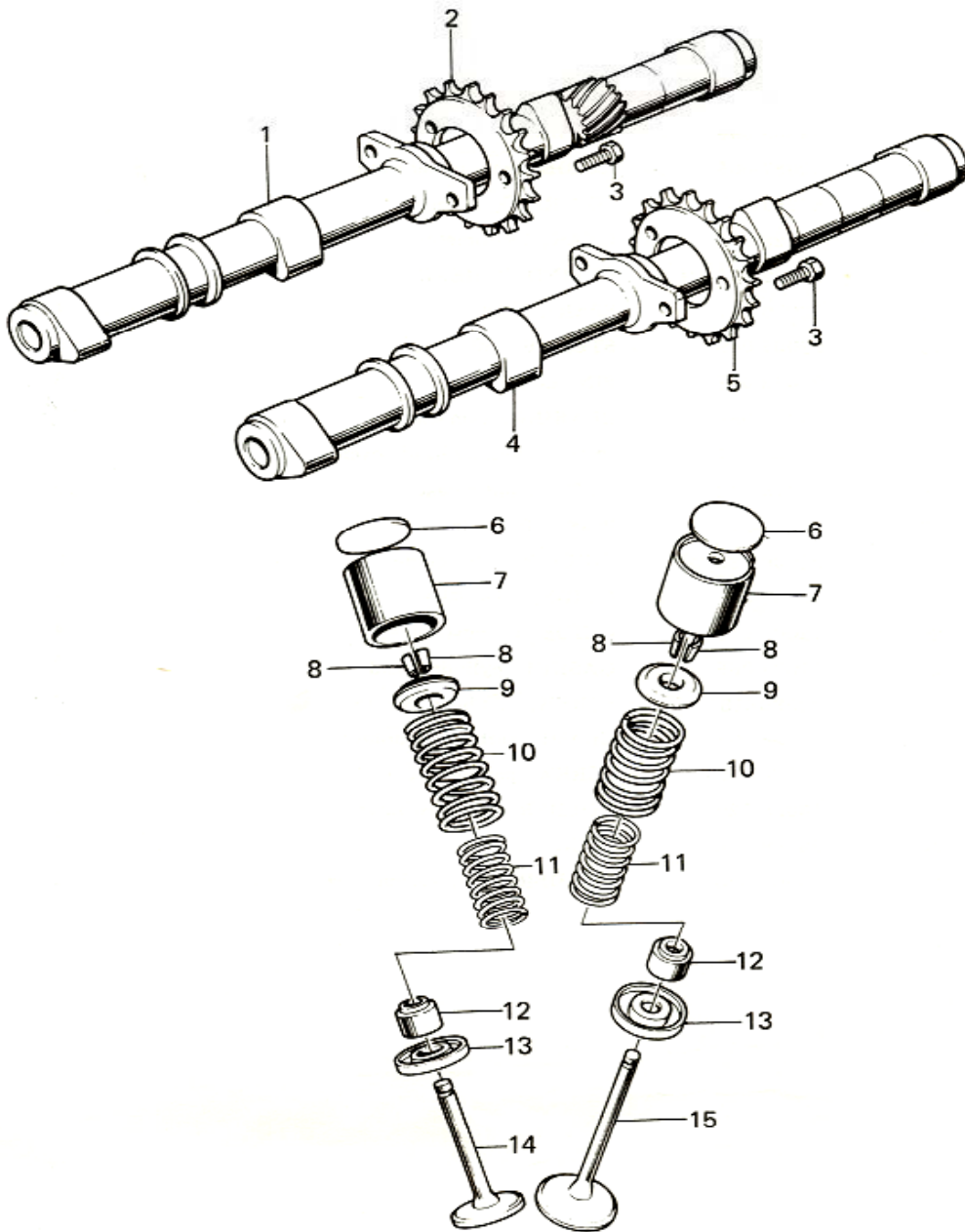
1. Cylinder Head



1. Cylinder Head

No.	Part No.	Q'TY	PART NAME	
1	92003-092	34	BOLT, hex head, 6x45	
2	21126-007	4	CLAMP, ignition coil	
3	11022-0052-H	1	COVER, cylinder head	NLA
4	11023-006	1	GASKET, cylinder head cover	
5	220B0-612	1	SCREW, pan head, 6x12	
6	92050-050	1	OIL SEAL	
7	92087-006	1	GUIDE, tachometer cable	NLA
8	670B1-510	1	O-RING, 10mm	
9	13223-006	1	GEAR, tachometer	
10	11002-0162-H	1	CYLINDER HEAD	NLA
11	92070-037	4	SPARK PLUG, NGK B8ES	
12	92004-049	8	STUD, 6x30	
13	92042-007	8	PIN, dowel	
14	13034-030	16	BEARING, cam shaft	
15	92066-017	4	PLUG, cylinder head cover	
16	92015-076	12	NUT, cylinder head	
17	92022-215	12	WASHER, plain	
18	92036-023	8	CIRCLIP, valve guide	
19	12006-010	4	GUIDE, inlet valve	
20	12006-011	4	GUIDE, exhaust valve	
21	11004-066	2	GASKET, cylinder head	
22	220B0-618	8	SCREW, pan head, 6x18	
23	92123-001	4	CLAMP, carburetor holder	
24	220B0-525	4	SCREW, pan head, 5x25	
25	16065-029	2	HOLDER, LH, carburetor	
26	92068-006	4	PLUG	
27	16065-028	2	HOLDER, RH, carburetor	

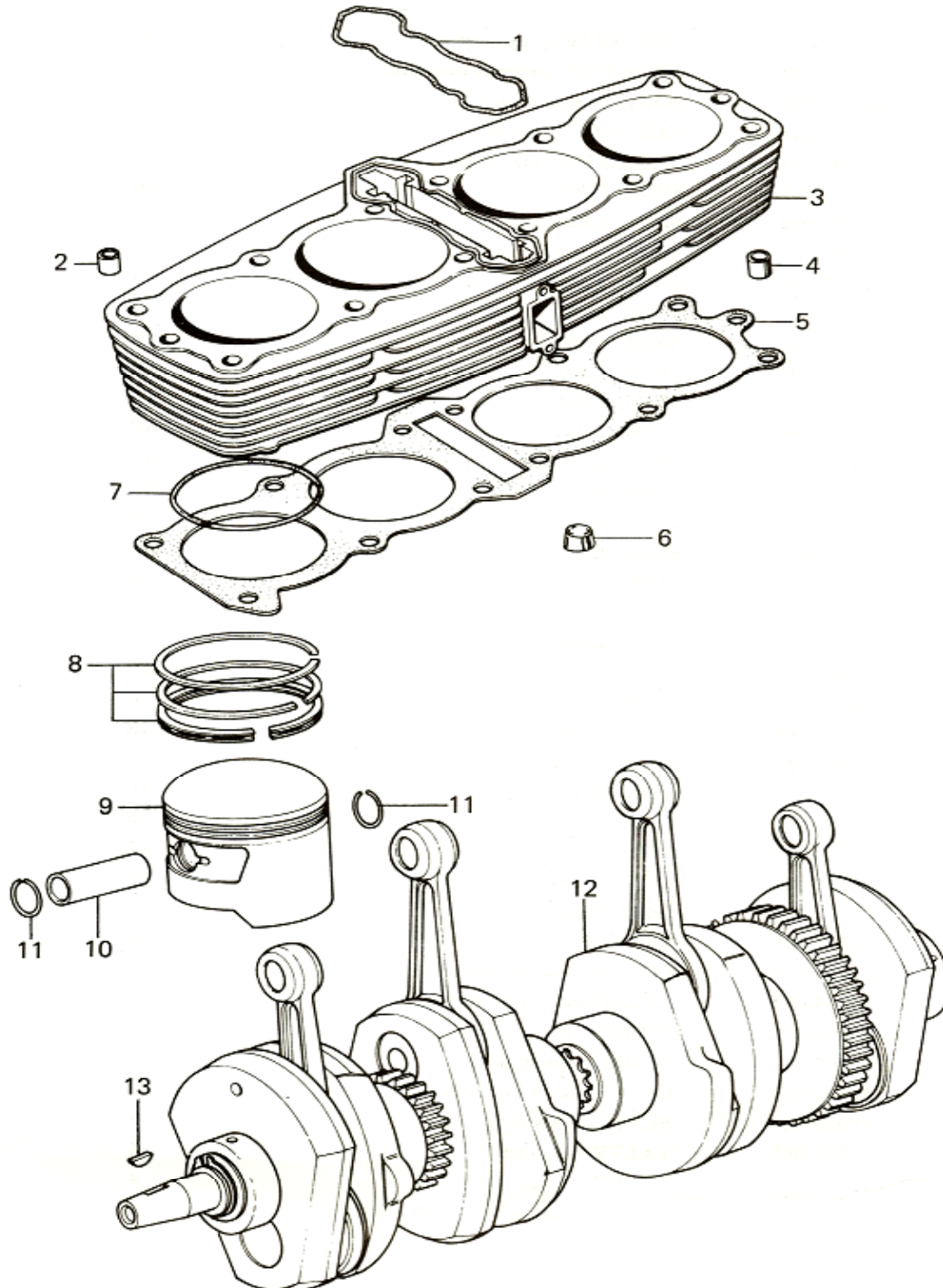
2. Cam Shaft, Valve



2. Cam Shaft, Valve

No.	Part No.	Q'TY	PART NAME	
1	12044-005	1	CAM SHAFT, exhaust	
2	12046-002	1	SPROCKET, exhaust cam shaft	NLA
3	92003-141	6	BOLT, hex head, 6x10	
4	12044-004	1	CAM SHAFT, inlet	NLA
5	12046-001	1	SPROCKET, inlet cam shaft	NLA
6	12037-001	AR	SHIM, tappet 2.00 t	
6	12037-002	AR	SHIM, tappet 2.05 t	
6	12037-003	AR	SHIM, tappet 2.10 t	
6	12037-004	AR	SHIM, tappet 2.15 t	
6	12037-005	AR	SHIM, tappet 2.20 t	
6	12037-006	AR	SHIM, tappet 2.25 t	
6	12037-007	AR	SHIM, tappet 2.30 t	
6	12037-008	AR	SHIM, tappet 2.35 t	
6	12037-009	AR	SHIM, tappet 2.40 t	
6	12037-010	AR	SHIM, tappet 2.45 t	
6	12037-011	AR	SHIM, tappet 2.50 t	
6	12037-012	AR	SHIM, tappet 2.55 t	
6	12037-013	AR	SHIM, tappet 2.60 t	
6	12037-014	AR	SHIM, tappet 2.65 t	
6	12037-015	AR	SHIM, tappet 2.70 t	
6	12037-016	AR	SHIM, tappet 2.75 t	
6	12037-017	AR	SHIM, tappet 2.80 t	
6	12037-018	AR	SHIM, tappet 2.85 t	
6	12037-019	AR	SHIM, tappet 2.90 t	
6	12037-020	AR	SHIM, tappet 2.95 t	
6	12037-021	AR	SHIM, tappet 3.00 t	
6	12037-022	AR	SHIM, tappet 3.05 t	
6	12037-023	AR	SHIM, tappet 3.10 t	
6	12037-024	AR	SHIM, tappet 3.15 t	
6	12037-025	AR	SHIM, tappet 3.20 t	
7	12032-005	8	TAPPET	
8	12011-002	16	COLLAR, valve spring	
9	12009-005	8	RETAINER, valve spring	
10	12007-012	8	SPRING, outer valve	
11	12007-011	8	SPRING, inner valve	
12	92049-016	8	OIL SEAL, RV371295	
13	12010-004	8	SEAT, valve spring	
14	12005-005	4	VALVE, exhaust	
15	12004-012	4	VALVE, inlet	

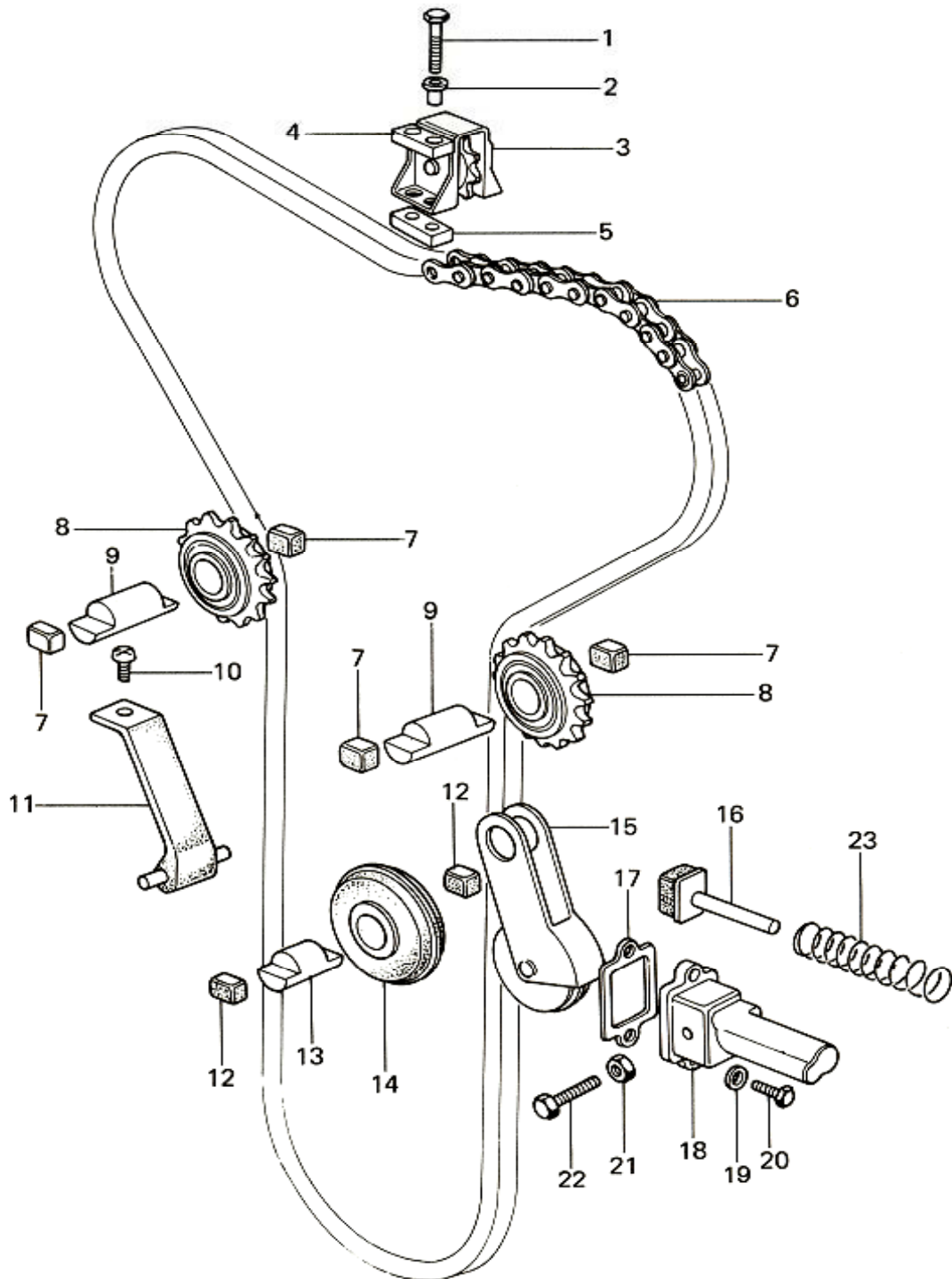
3. Cylinder, Piston, Crankshaft



3. Cylinder, Piston, Crankshaft

No.	Part No.	Q'TY	PART NAME	
1	92055-062	1	O-RING, cylinder	
2	552A1-014	2	PIN, dowel, 10x14	
3	11005-1362-H	1	CYLINDER	NLA
4	92042-028	2	PIN, dowel	
5	11009-030	1	GASKET, cylinder base	
6	92074-030	8	RUBBER PLUG, cylinder	
7	92055-054	4	O-RING, 73mm	
8	13008-038	4	RING SET, STD	
8	13025-046	4	RING SET, 0.020	
8	13024-046	4	RING SET, 0,040	
9	13001-054	4	PISTON, STD	NLA
9	13029-058	4	PISTON, 0,020	
9	13027-056	4	PISTON, 0.040	NLA
10	13002-022	4	PIN, piston	
11	92036-021	8	CIRCLIP, piston pin	
12	13031-043	1	CRANKSHAFT ASSY	NLA
13	92038-001	1	WOODRUFF KEY	

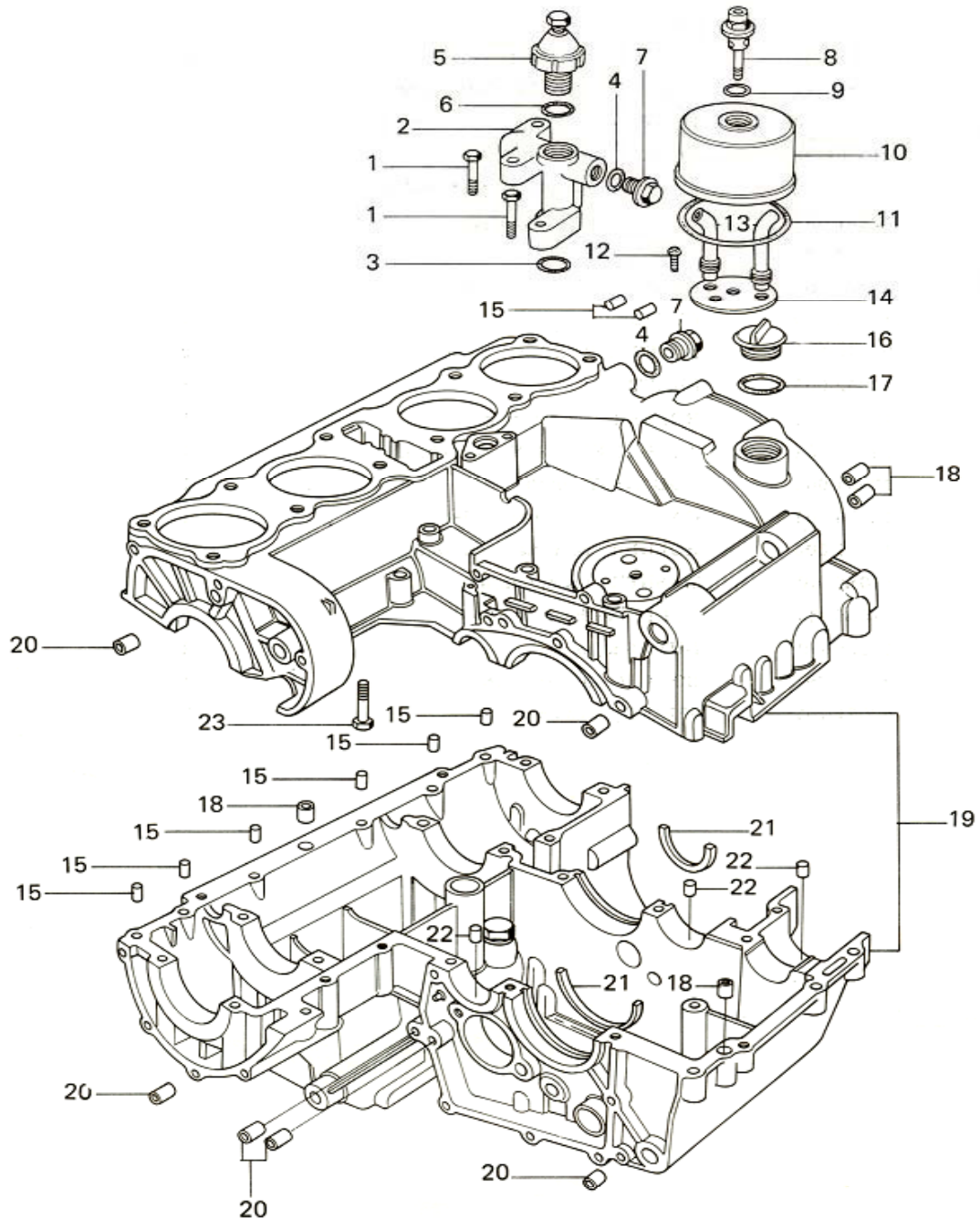
4. Cam Chain, Tensioner



4. Cam Chain, Tensioner

No.	Part No.	Q'TY	PART NAME	
1	110G0-635	1	BOLT, hex head, 6x35	
2	92027-155	1	COLLAR, idler	
3	12057-001	1	IDLER ASSY, cam chain	
4	92075-119	2	DAMPER RUBBER, idler upper	
5	92075-120	2	DAMPER RUBBER, idler lower	
6	21070-003	1	CHAIN, cam	
7	92075-232	4	DAMPER RUBBER, guide roller	
8	12057-002	2	IDLER ASSY, cam chain	
9	12057-005	2	SHAFT, guide roller	
10	220B0-610	1	SCREW, pan head, 6x10	
11	12053-019	1	GUIDE, cam chain	
12	92075-123	2	DAMPER RUBBER, guide roller	
13	12052-003	1	SHAFT	
14	12055-002	1	ROLLER, cam chain guide	
15	12048-001	1	TENSIONER ASSY, cam chain	
16	12054-001	1	ROD ASSY, push	NLA
17	12056-001	1	GASKET, tensioner holder	
18	12047-003	1	HOLDER, cam chain tensioner	
19	410B0-600	2	WASHER, plain, 6mm	
20	110B0-620	2	BOLT, hex head, 6x20	
21	311B0-600	1	NUT, 6mm	
22	92003-093	1	BOLT, tensioner adjusting	NLA
23	92081-107	1	SPRING, tensioner	NLA

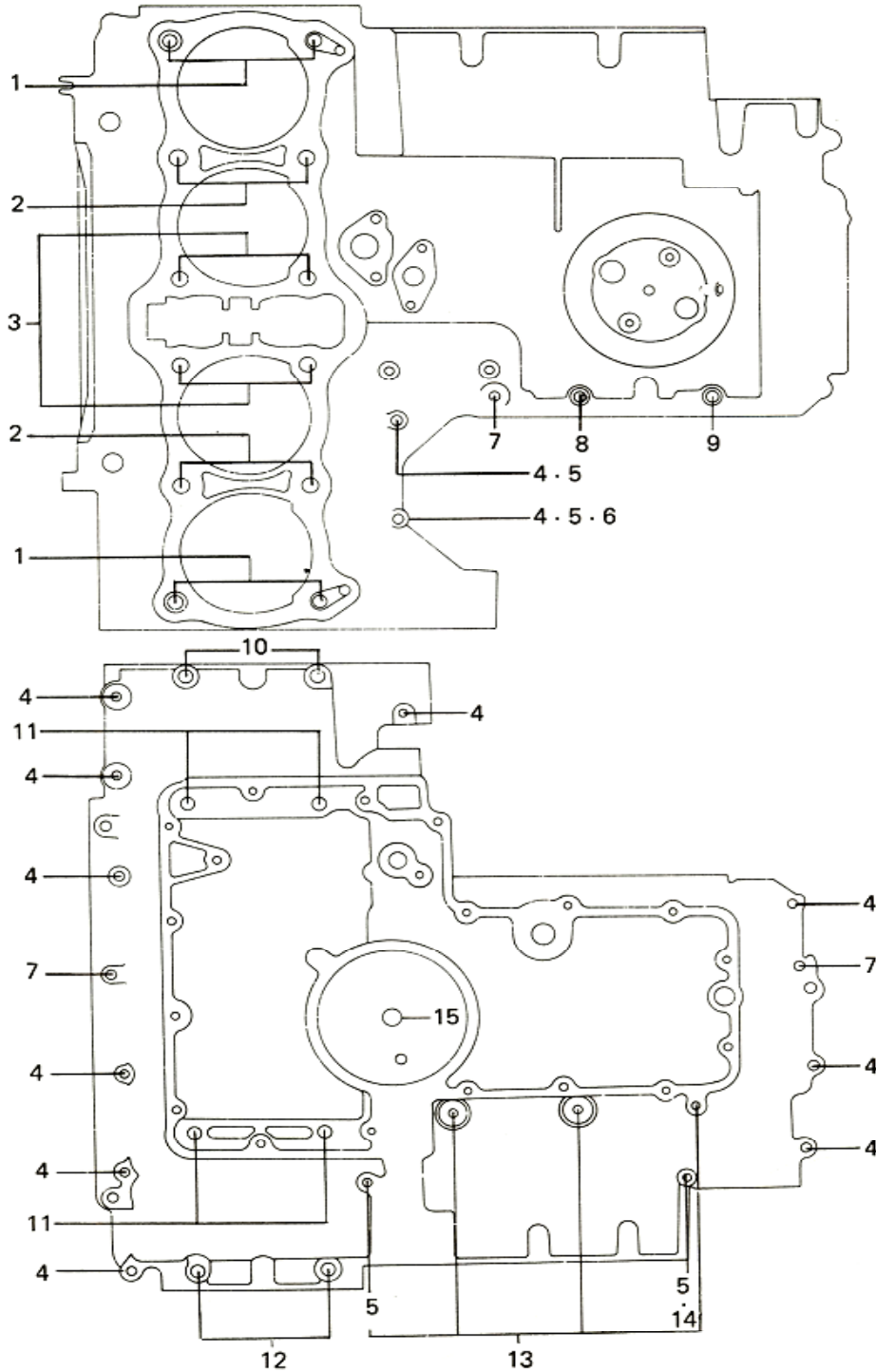
5. Crank Case



5. Crank Case

No.	Part No.	Q'TY	PART NAME	
1	92001-153	4	BOLT, oil pipe	
2	46109-003	1	PIPE, oil	NLA
3	670B2-018	2	O-Ring, 18mm	
4	670B2-015	2	O-Ring, 15mm	
5	16144-004	1	SWITCH ASSY, oil pressure	
6	92055-055	1	O-Ring, oil pressure	
7	92066-021	2	PLUG, oil pipe	
8	92003-098	1	BOLT, breather	NLA
9	670B2-016	1	O-RING, 16mm	
10	14070-003	1	BODY, breather	NLA
11	92055-052	1	O-RING, breather body	
12	220B0-618	2	SCREW, pan head, 6x18	
13	92059-118	2	TUBE, breather	NLA
14	14068-007	2	PLATE, breather	
15	610A0-614	8	PIN, dowel, 6x14	NLA
16	16115-013	1	PLUG, oil filler	
17	92055-049	1	O-RING, oil filler plug	
18	552A1-014	4	PIN, dowel, 10x14	
19	14001-0522-J	1	CRANKCASE SET	NLA
20	92042-007	6	PIN, dowel, 8x14	
21	14013-001	2	RING, bearing setting, 62mm	
22	92042-016	3	PIN, dowel, 6x16	
23	92003-107	4	BOLT, hex head, 8x72	

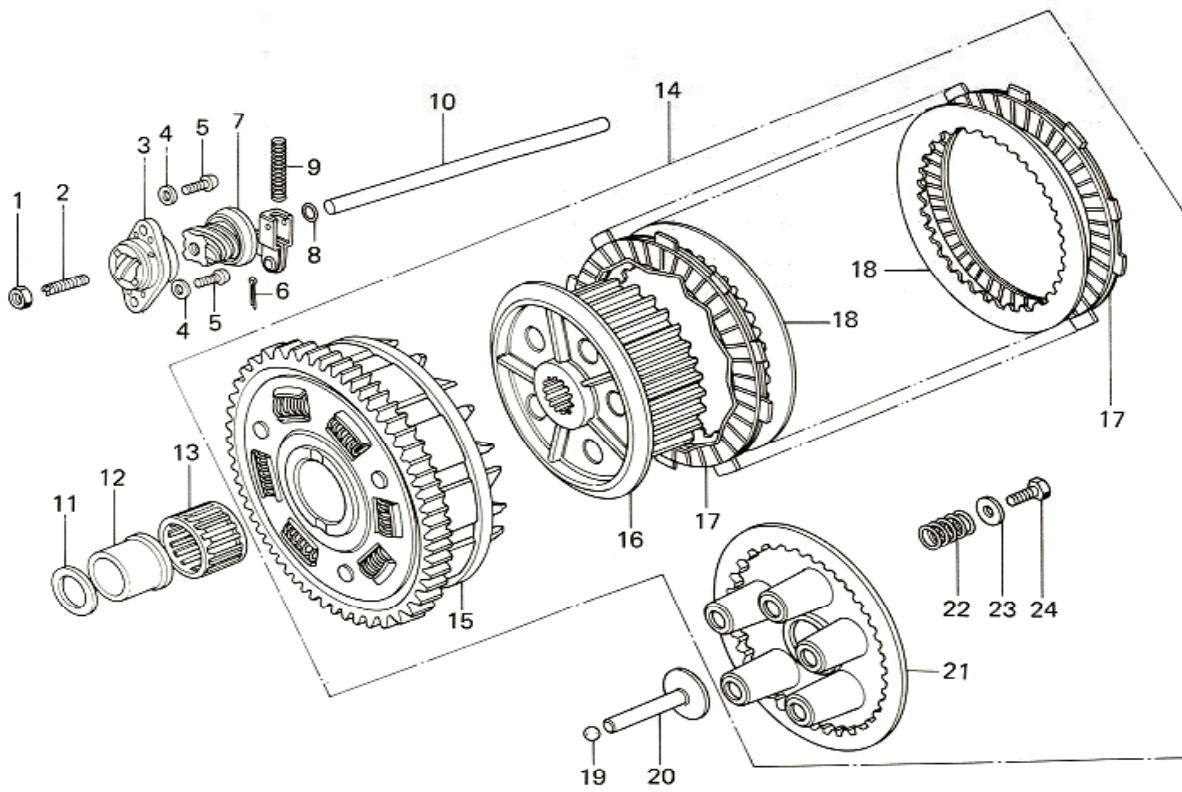
6. Crank Case Bolt & Stud Pattern



6. Crank Case Bolt & Stud Pattern

No.	Part No.	Q'TY	PART NAME	
1	92004-046	4	STUD, 10x184	
2	92004-047	4	STUD, 10x158	
3	92004-045	4	STUD, 10x192	
4	92003-109	12	BOLT, hex head, 6x41	
5	21126-007	4	CLAMP, wiring harness	
6	410B0-600	1	WASHER, plain, 6mm	
7	92003-110	3	BOLT, hex head, 6x54	NLA
8	92003-111	1	BOLT, hex head, 6x99	NLA
9	92003-113	1	BOLT, hex head, 6x116	NLA
10	92003-106	2	BOLT, hex head, 8x95	
11	92003-107	4	BOLT, hex head, 8x72	
12	92003-108	2	BOLT, hex head, 8x81	
13	92003-112	4	BOLT, hex head, 6x94	
14	92003-114	1	BOLT, hex head, 6x72	NLA
15	92055-048	1	O-RING	

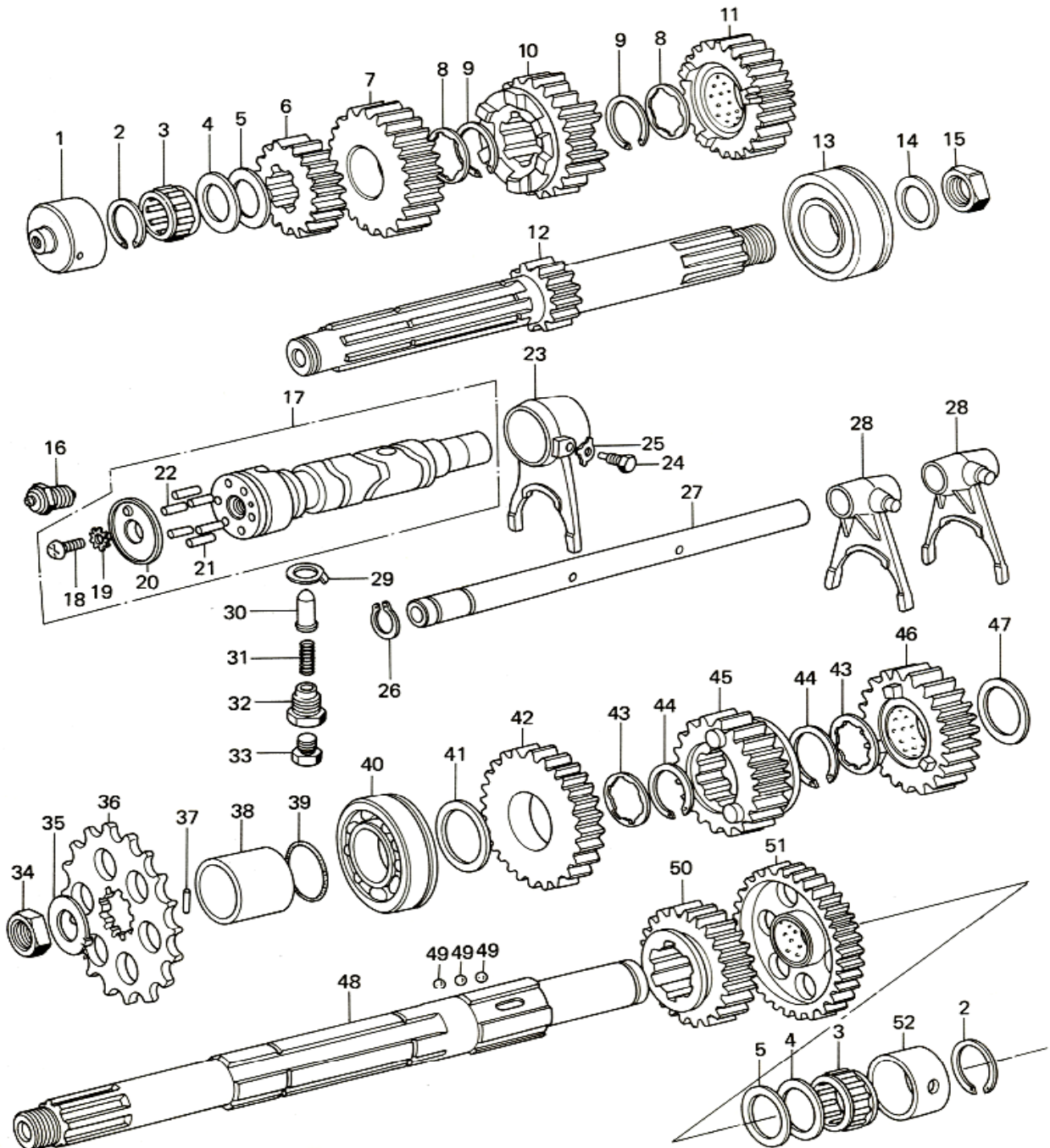
7. Clutch



7. Clutch

No.	Part No.	Q'TY	PART NAME	
1	315B0-800	1	NUT, 8mm	
2	92014-014	1	SCREW, slotted, 8x25	NLA
3	13118-007	1	OUTER, clutch release	NLA
4	411B0-600	2	WASHER, plain, 6mm	
5	220B0-616	2	SCREW, pan head, 6x16	
6	550D1-615	1	PIN, cotter, 1.6x15	
7	13102-013	1	INNER, clutch release	NLA
8	670B1-507	1	O-RING, 7mm	
9	92081-069	1	SPRING, clutch release	
10	13116-021	1	ROD, clutch push	
11	92026-022	1	WASHER, clutch thrust	
12	92028-135	1	BUSHING, clutch	NLA
13	92046-028	1	NEEDLE BEARING, clutch	
14	13081-045	1	CLUTCH ASSY	NLA
15	13095-036	1	HOUSING, clutch	NLA
16	13087-031	1	HUB, clutch	NLA
17	13088-030	8	PLATE, clutch friction	
18	13089-022	7	PLATE, clutch steel	
19	600A1-200	1	BALL, steel, 3/8"	
20	13116-022	1	PUSHER, clutch spring plate	
21	13187-006	1	PLATE, clutch spring	
22	92081-105	5	SPRING, clutch	
23	13091-011	5	HOLDER, clutch spring	
24	110B0-618	5	BOLT, hex head, 6x18	

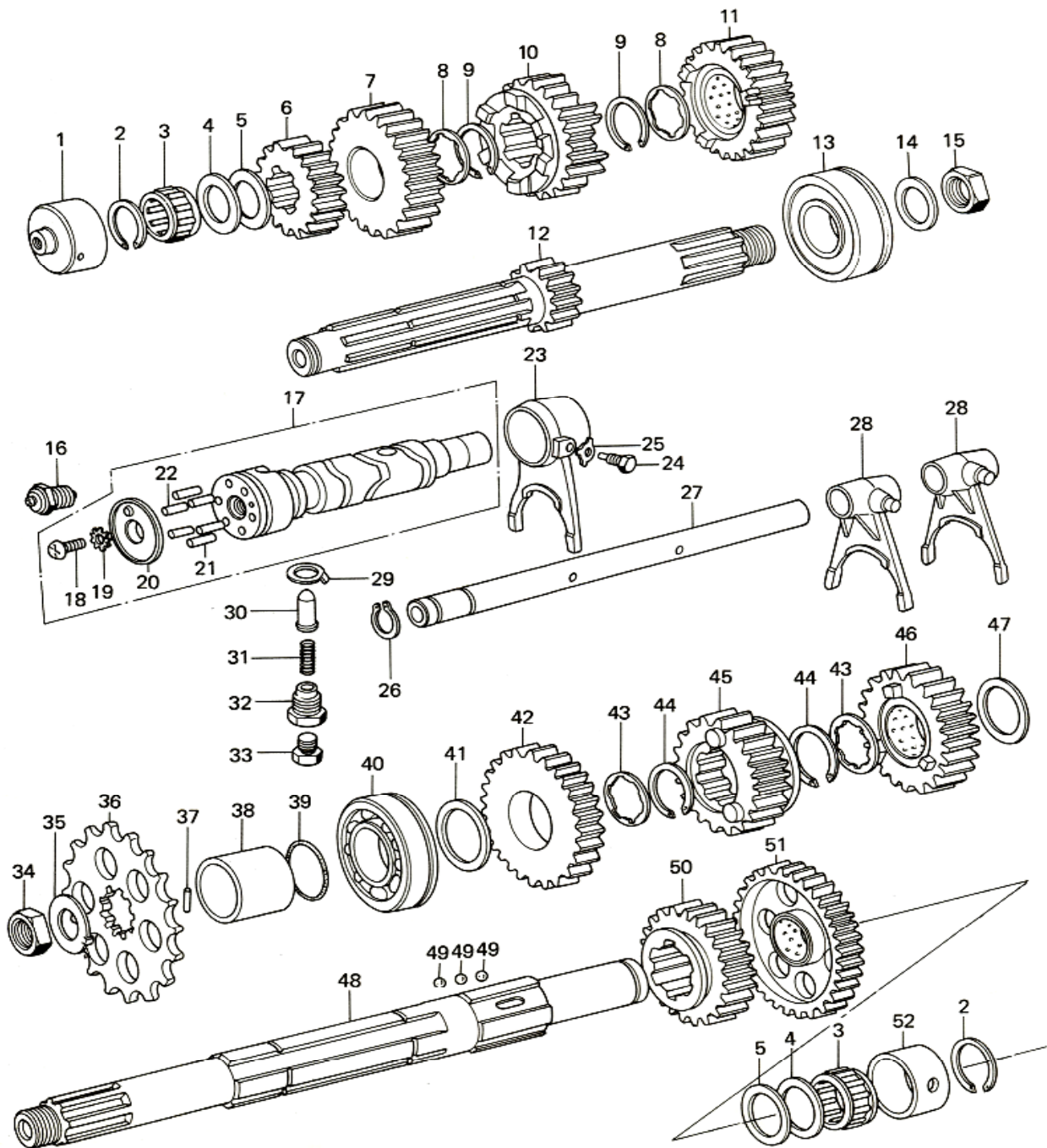
8. Transmission Gears 1/2



8. Transmission Gears 1/2

No.	Part No.	Q'TY	PART NAME	
1	92028-122	1	BUSHING, drive shaft	
2	92033-025	2	CIRCLIP, drive shaft	
3	92046-031	2	NEEDLE BEARING PK223013.8	
4	92022-212	2	WASHER, thrust 1.6 t	
5	92022-213	2	WASHER, thrust 1.2 t	
5	92022-211	2	WASHER, thrust 1.0 t	
6	13130-032	1	2ND GEAR, drive shaft	NLA
7	13136-042	1	TOP GEAR, drive shaft	NLA
8	92024-042	2	WASHER, lock	
9	480J2-800	2	CIRCLIP, 28mm	
10	13132-030	1	3RD GEAR, drive shaft	NLA
11	13134-016	1	4TH GEAR, drive shaft 21T	
12	13127-042	1	SHAFT, drive	NLA
13	92045-022	1	BEARING, ball, #5305NB	
14	92125-002	1	WASHER	NLA
15	92019-015	1	NUT, lock, 20mm	
16	13151-022	1	SWITCH, neutral indicator	
17	13239-010	1	DRUM ASSY, gear change	NLA
18	220B0-614	1	SCREW, pan head, 6x14	
19	464G0-600	1	WASHER, lock, 6mm	
20	13142-013	1	PLATE, change drum pin	
21	92042-014	1	PIN, change drum, L=15.8mm	
22	92042-020	5	PIN, change drum, L=17.8mm	
23	13140-046	1	SHIFT FORK	NLA
24	92043-016	1	PIN, shift fork	
25	92031-001	1	WASHER, lock	
26	480J1-200	1	CIRCLIP, 12mm	
27	13209-011	1	ROD, shift	NLA
28	13140-045	2	SHIFT FORK	
29	92024-047	1	WASHER, lock	NLA
30	92043-085	1	PIN, selector fork	NLA
31	92081-106	1	SPRING, change drum positioning	
32	92001-112	1	BOLT, change drum positioning	NLA
33	92001-119	1	BOLT	
34	92016-028	1	NUT, 20mm	
35	92024-044	1	WASHER, lock, 12mm	
36	13144-062	1	ENGINE SPROCKET 15T	
37	92043-109	1	PIN	
38	92027-152	1	COLLAR, engine sprocket	
39	92055-035	1	O-RING	
40	92045-021	1	BALL BEARING, BL305	
41	92022-210	1	WASHER, thrust	NLA
42	13131-038	1	2ND GEAR, output shaft 35T	

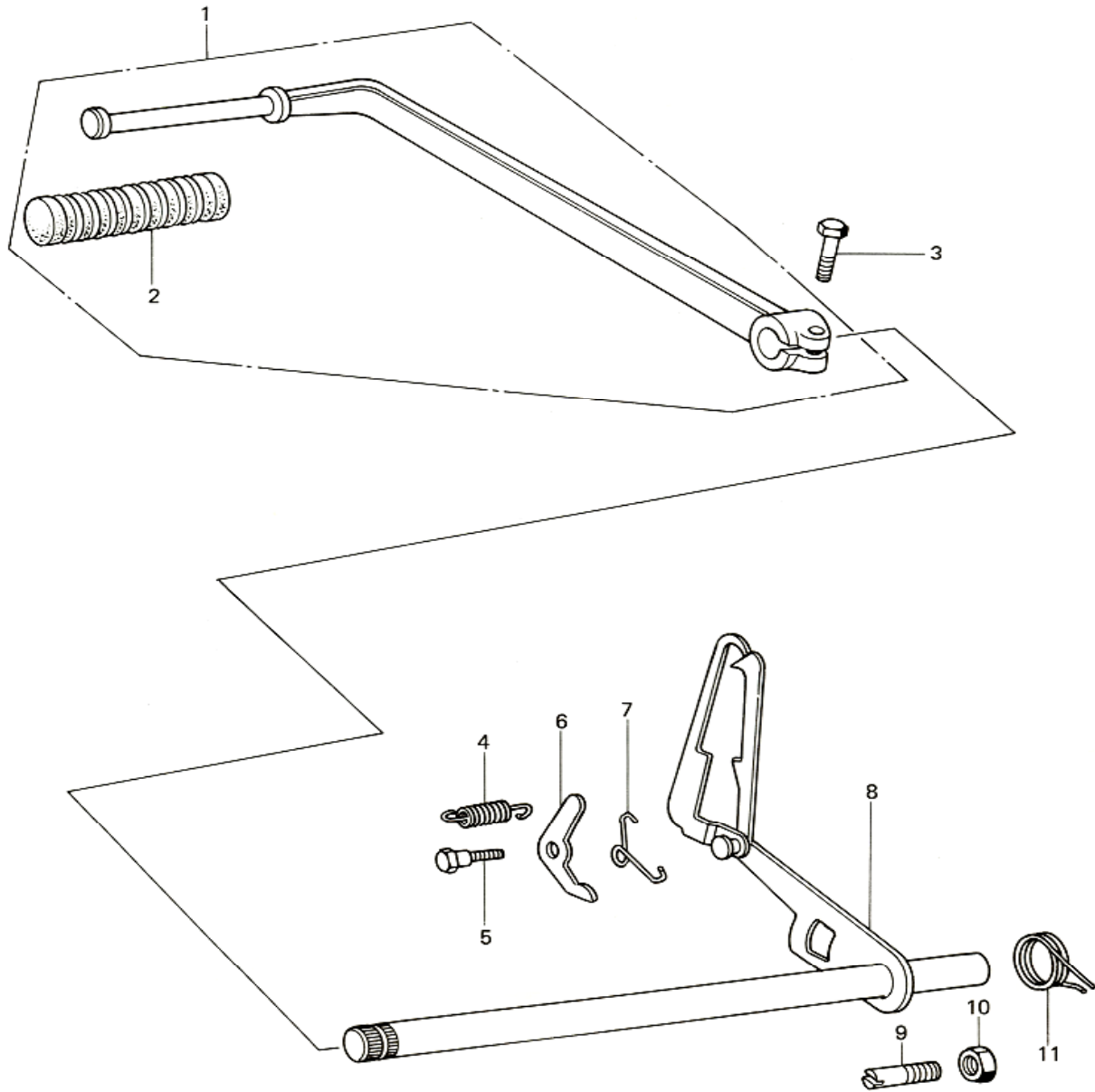
8. Transmission Gears 2/2



8. Transmission Gears 2/2

No.	Part No.	Q'TY	PART NAME	
43	92024-043	2	WASHER, lock	
44	480J3-000	2	CIRCLIP, 30mm	
45	13137-025	1	TOP GEAR, output shaft 28T	
46	13133-031	1	3RD GEAR, output shaft 35T	
47	92022-209	1	WHASHER, thrust	NLA
48	13128-037	1	SHAFT, output	
49	600A0-600	3	BALL, steel, 3/16"	
50	13135-020	1	4TH GEAR, output shaft 29T	NLA
51	13129-046	1	LOW GEAR, output shaft 38T	NLA
52	92028-123	1	BUSHING, output shaft	

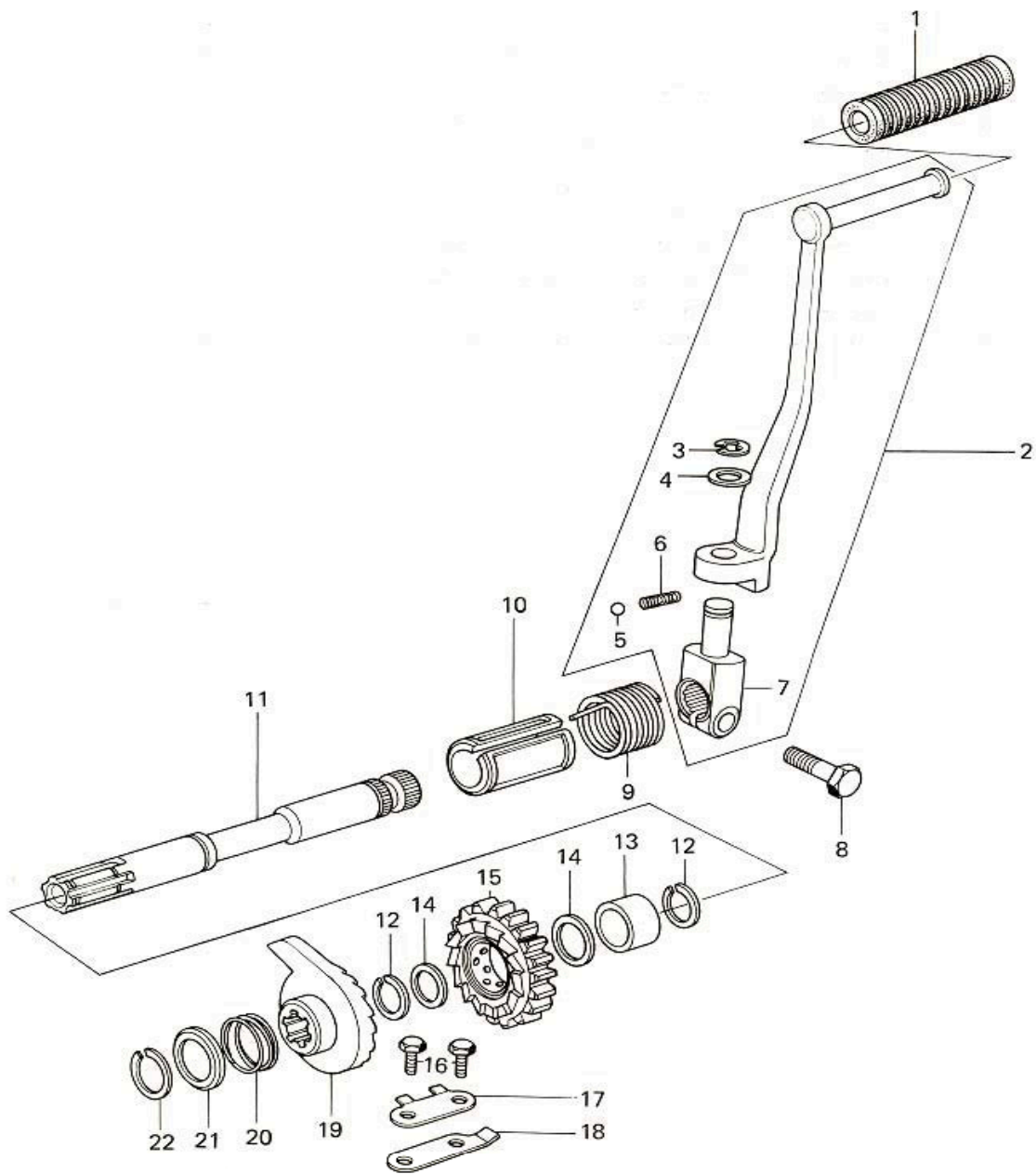
9. Gear Change Mechanism



9. Gear Change Mechanism

No.	Part No.	Q'TY	PART NAME	
1	13242-006	1	PEDAL ASSY, gear change	
2	13157-004	1	RUBBER, change pedal	
3	110N0-620	1	BOLT, hex head, 6x20	
4	92081-051	1	SPRING, change drum lever	
5	92001-012	1	BOLT, change drum lever	
6	13168-024	1	LEVER, change drum	NLA
7	92083-018	1	SPRING, change lever	
8	13161-029	1	LEVER ASSY, gear change	
9	92043-057	1	PIN, change drum return spring	NLA
10	312B0-800	1	NUT, 8mm	
11	92083-028	1	SPRING, change pedal return	

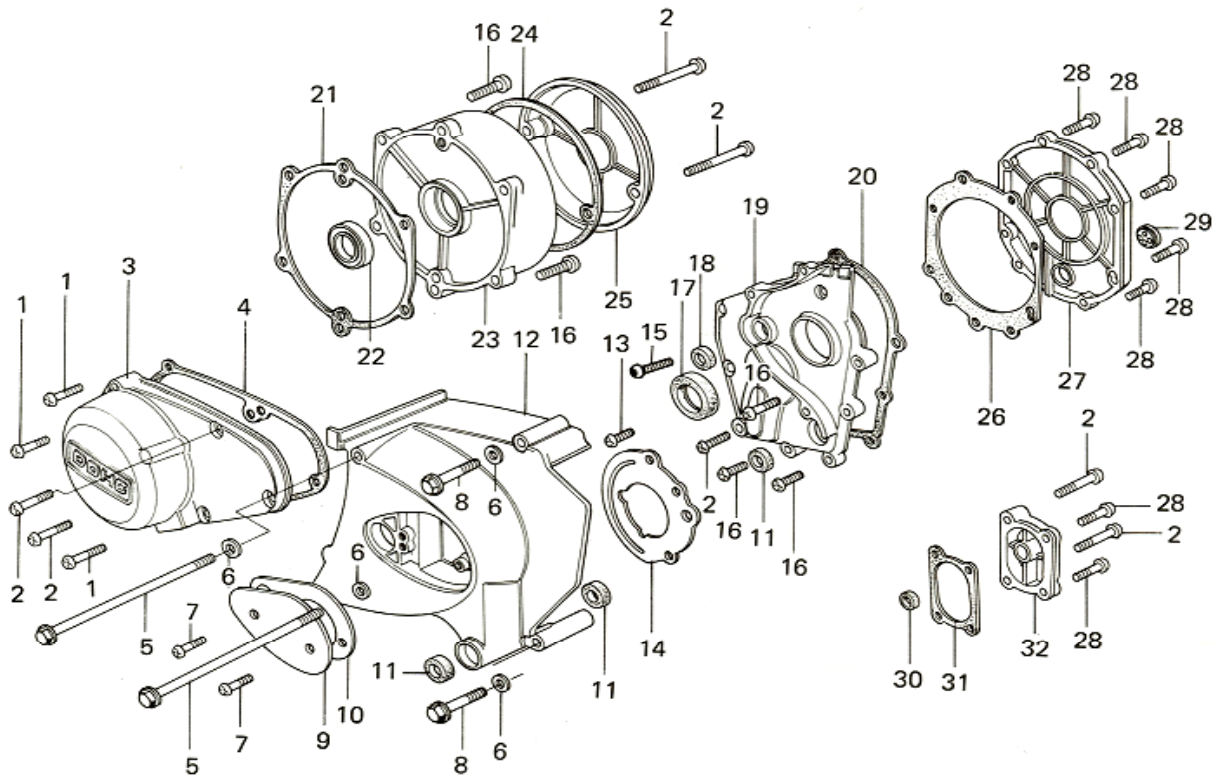
10. Kickstarter



10. Kickstarter

No.	Part No.	Q'TY	PART NAME	
1	13063-004	1	RUBBER, kick peal	
2	13058-044	1	PEDAL ASSY, kickstarter	NLA
3	482J0-100	1	CIRCLIP, 10mm	
4	92022-085	1	WAHSER, plain	
5	600A0-800	1	BALL, steel, 1/4"	
6	92081-020	1	SPRING, kick pedal	
7	13061-017	1	BOSS, kick pedal	NLA
8	414B1-025	1	BOLT, hex head, 10x25	NLA
9	92082-004	1	SPRING, kickstarter	NLA
10	13070-005	1	GUIDE, kick spring	NLA
11	13066-029	1	SHAFT, kickstarter	NLA
12	92033-025	2	CIRCLIP, 19mm	
13	92028-126	1	COLLAR, Kickshaft	NLA
14	92022-207	1	WASHER, thrust	NLA
15	13068-028	1	GEAR, kickstarter	
16	116B0-614	2	BOLT, hex head, 6x14	
17	92024-036	1	WASHER, lock, 6mm	NLA
18	13072-012	1	STOPPER, kickshaft	
19	13078-006	1	RATCHET	
20	92081-104	1	SPRING, ratchet	
21	92102-008	1	HOLDER, ratchet spring	NLA
22	480J1-900	1	CIRCLIP, 19mm	

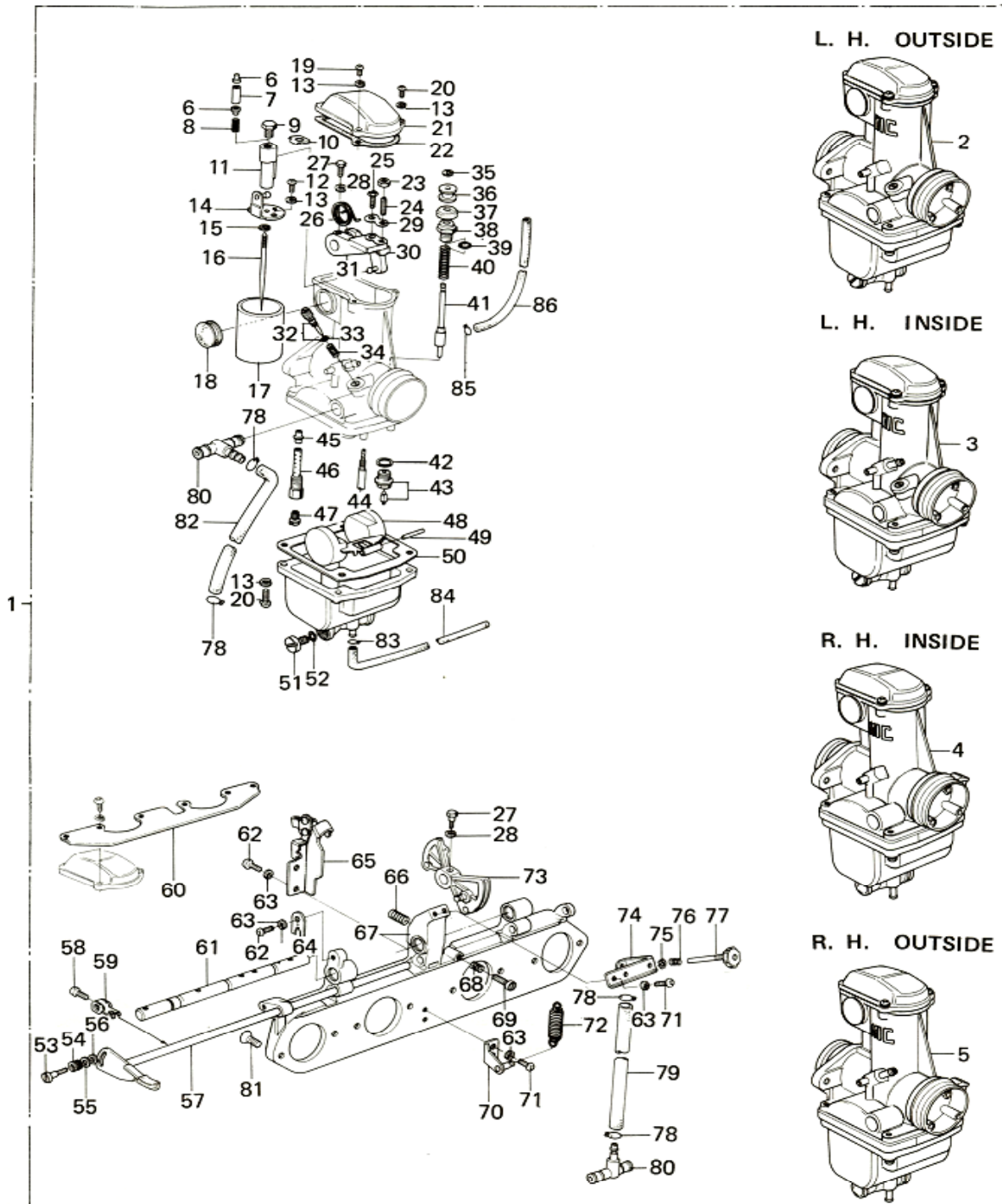
11. Engine Covers



11. Engine Covers

No.	Part No.	Q'TY	PART NAME	
1	220B0-630	7	SCREW, pan head, 6x30	
2	220B0-640	8	SCREW, pan head, 6x40	
3	14031-053	1	COVER, LH, engine	
4	14045-014	1	GASKET, LH, engine cover	
5	110G0-6125	2	BOLT, hex head, 6x125	
6	410B0-600	4	WASHER, plain, 6mm	
7	220B0-616	2	SCREW, pan head, 6x16	
8	110G0-671	2	BOLT, hex head, 6x71	
9	14026-012	1	COVER, oil pump	NLA
10	14045-015	1	GASKET, oil pump cover	NLA
11	92049-004	3	OIL SEAL, SB12205	
12	14026-026	1	COVER, front chain	NLA
13	220B0-612	2	SCREW, pan head, 6x12	
14	14024-008	1	COVER, engine sprocket	NLA
15	220B0-628	1	SCREW, pan head, 6x28	
16	220B0-622	11	SCREW, pan head, 6x22	
17	92050-024	1	OIL SEAL, SC325210	
18	92050-048	1	OIL SEAL, TC7187	
19	14024-007	1	COVER, transmission	
20	14058-004	1	GASKET, transmission cover	
21	14046-023	1	GASKET, RH, engine cover	
22	92050-047	1	OIL SEAL	
23	14032-083	1	COVER, RH, engine	
24	14050-006	1	GASKET, contact breaker cap	
25	14027-015	1	CAP, contact breaker	
26	14046-024	1	GASKET, clutch cover	
27	14032-082	1	COVER, clutch	NLA
28	220B0-625	11	SCREW, pan head, 6x25	
29	52015-004	1	GAUGE, oil level	
30	92049-001	1	OIL SEAL, SB22325.5	
31	14046-025	1	GASKET, kickshaft cover	
32	14032-0752-H	1	COVER, kickstarter	NLA

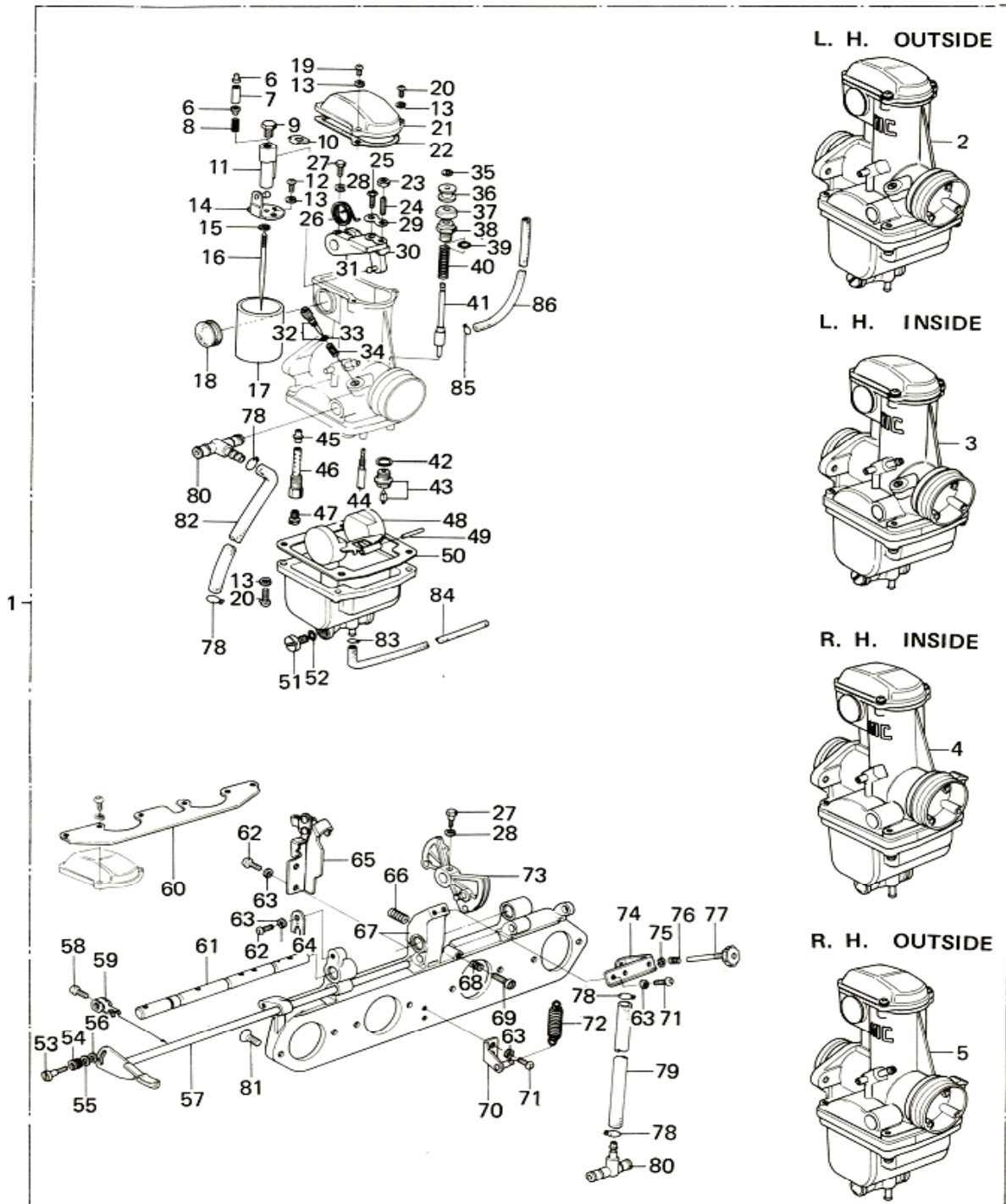
12. Carburetors 1/3



12. Carburetors 1/3

No.	Part No.	Q'TY	PART NAME	
1	16001-255	1	CARBURETOR ASSY	NLA
2	16001-268	1	CARBURETOR LH, outside	NLA
3	16001-269	1	CARBURETOR LH, inside	NLA
4	16001-270	1	CARBURETOR RH, inside	NLA
5	16001-271	1	CARBURETOR RH, outside	NLA
6	16057-002	8	SEAT, spring	
7	16042-009	4	PIN	NLA
8	16040-004	4	SPRING	NLA
9	16067-008	4	BOLT	NLA
10	16054-003	4	WASHER, lock	
11	16052-003	4	SHAFT, throttle valve	
12	16033-015	8	SCREW, pan head, 4x12	
13	461F0-400	36	WASHER, spring, 4mm	
14	16007-018	4	BRACKET, throttle valve	NLA
15	16008-004	4	CIRCLIP, jet needle	
16	16009-071	4	JET NEEDLE, 5DL3	
17	16025-075	4	VALVE, throttle CA1.5	NLA
18	16039-042	2	CAP, rubber	NLA
19	16033-013	6	SCREW, pan head, 4x14	
20	16033-009	22	SCREW, pan head, 4x16	
21	16005-027	4	TOP, mixing chamber	NLA
22	16019-031	4	GASKET, mixing chamber top	
23	16003-013	4	NUT, 5mm	
24	16046-009	4	SCREW, slotted	NLA
25	16067-009	4	BOLT, 4x16	NLA
26	16040-021	4	SPRING, lever	NLA
27	16067-006	5	BOLT, throttle lever	
28	461F0-500	5	WASHER, spring, 5mm	
29	16054-008	4	WASHER, plate	NLA
30	16068-013	4	LEVER, throttle	NLA
31	16068-012	4	LEVER	NLA
32	16014-017	4	SCREW, pilot air adjusting	
33	16038-022	4	O-RING	
34	16022-007	4	SPRING, pilot air screw	
35	16076-003	4	CIRCLIP	
36	16073-014	4	COLLAR	
37	16039-015	4	RUBBER CAP	
38	16012-015	4	CAP, starter plunger	
39	670B1-509	4	O-RING, 9mm	
40	16013-008	4	SPRING, starter plunger	
41	16016-017	4	PLUNGER, starter	NLA
42	16029-004	4	GASKET, float valve seat	
43	16030-027	4	FLOAT VALVE ASSY	

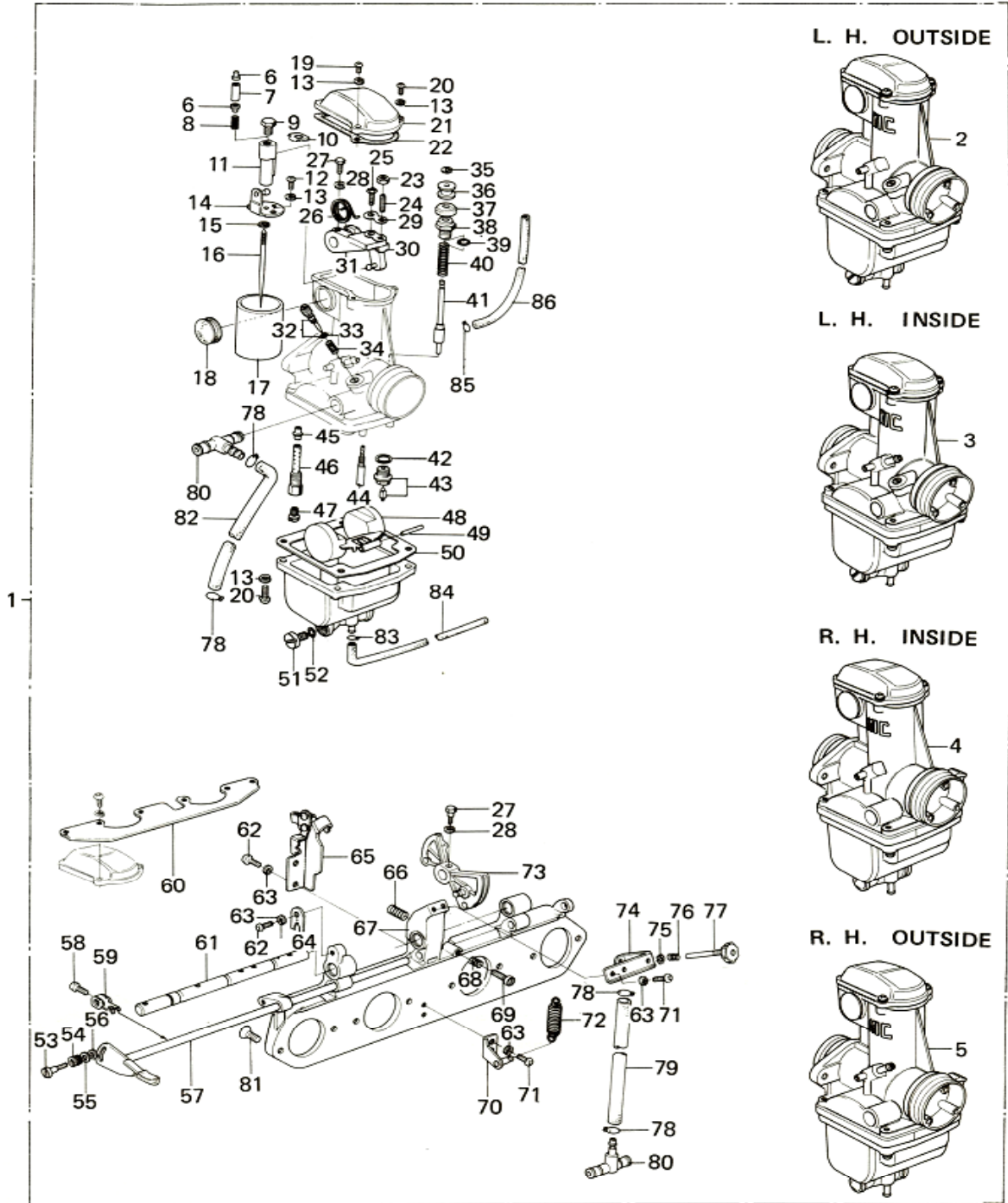
12. Carburetors 2/3



12. Carburetors 2/3

No.	Part No.	Q'TY	PART NAME	
44	92064-042	4	PILOT JET, 17.5	
45	16017-093	4	NEEDLE JET, 0-6	
46	16047-004	4	HOLDER, needle jet	NLA
47	92063-076	4	MAIN JET, #115 STD	NLA
47	92063-074	(4)	MAIN JET, #110 OPTION	
47	92063-075	(4)	MAIN JET, #112.5 OPTION	
47	92063-077	(4)	MAIN JET, #117.5 OPTION	
47	92063-078	(4)	MAIN JET, #120 OPTION	
48	16031-031	4	FLOAT	
49	16032-003	4	PIN, float	
50	16019-030	4	GASKET, float chamber	
51	16049-005	4	SCREW, guide	NLA
52	16038-016	4	O-RING, guide screw	
53	16046-005	1	SCREW, starter lever	NLA
54	16040-009	1	SPRING, starter lever screw	
55	16039-020	1	WASHER, plain	NLA
56	16039-019	1	WASHER, plain	NLA
57	16041-016	1	SHAFT, starter plunger	NLA
58	16046-007	4	SCREW, pan head	
59	16068-014	4	LEVER, starter plunger	
60	16065-040	1	PLATE, carburetor connection	
61	16041-017	1	SHAFT, carburetor connection	
62	16033-016	5	SCREW, pan head, 5x14	NLA
63	461F0-500	7	WASHER, spring, 5mm	
64	16055-012	1	PLATE, shaft stopper	NLA
65	16077-014	1	BRACKET, throttle cable pully	NLA
66	16040-022	1	SPRING, throttle cable pully braket	
67	16065-039	1	HOLDER, carburetor mounting	NLA
68	16022-010	1	SPRING	
69	16021-020	1	SCREW	NLA
70	16077-012	1	BRACKET, throttle cable pully	NLA
71	16033-016	2	SCREW, bracket fitting	NLA
72	16040-020	1	SPRING, throttle cable pully	NLA
73	16068-011	1	PULLY, throttle cable	NLA
74	16077-013	1	HOLDER, throttle cable	NLA
75	464H0-500	1	WASHER, lock, 5mm	NLA
76	16022-009	1	SPRING, throttle stop screw	NLA
77	16021-028	1	SCREW, throttle stop	NLA
78	92037-072	4	CLAMP, fuel hose	
79	92059-084	2	HOSE, fuel L=260mm	
80	16046-002	2	NIPPLE, fuel hose	
81	16033-029	8	SCREW, countersunk head, 6x14	NLA
82	92037-173	4	CLAMP, overflow hose	

12. Carburetors 3/3

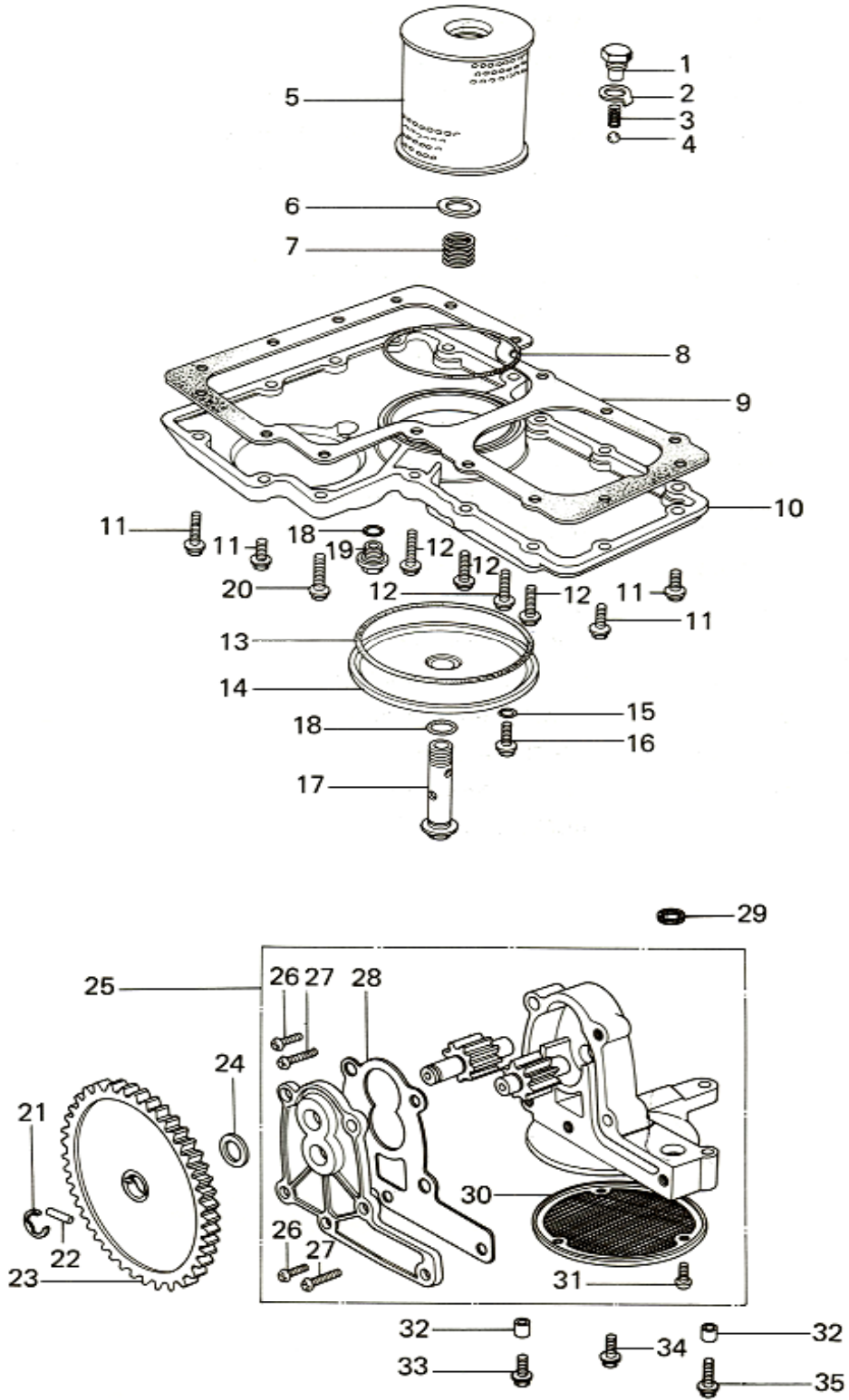


Next >>

12. Carburetors 3/3

No.	Part No.	Q'TY	PART NAME	
83	92059-134	4	HOSE, fuel overflow	
84	92037-174	2	CLAMP, breather hose	
85	92059-135	2	HOSE, breather	NLA

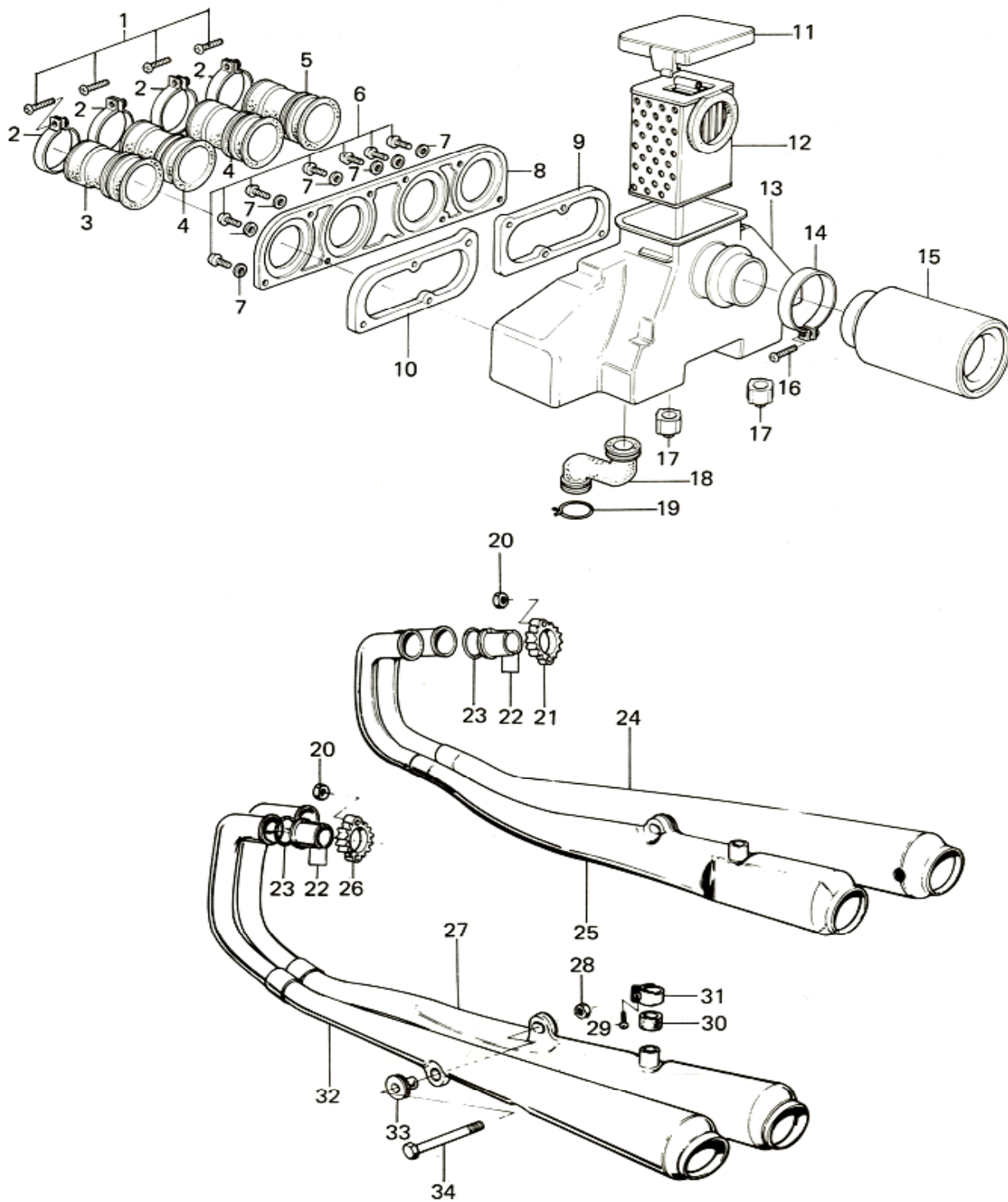
13. Oil Pump, Oil Filter



13. Oil Pump, Oil Filter

No.	Part No.	Q'TY	PART NAME	
1	92003-095	1	BOLT, check valve	
2	92024-048	1	WASHER, lock	NLA
3	92081-109	1	SPRING, check valve	
4	600A1-200	1	BALL, steel, 3/8"	
5	16099-002	1	ELEMENT, oil filter	
6	92022-220	1	WASHER, plain	
7	92081-108	1	SPRING, oil filter	
8	92055-052	1	O-RING, 91mm	
9	16112-002	1	GASKET, oil pan	
10	16110-003	1	PAN, oil	NLA
11	92003-178	13	BOLT, hex head, 6x25	
12	92003-159	3	BOLT, hex head, 6x35	NLA
13	671B2-5105	1	O-RING, 105mm	
14	16146-001	1	COVER, oil filter	NLA
15	670B1-508	1	O-RING, 8mm	
16	92066-024	1	PLUG, oil drain	
17	92003-193	1	BOLT, oil filter	
18	670B2-022	1	O-RING, 22mm	
19	92066-026	1	PLUG, oil drain	
20	92003-179	1	BOLT, hex head, 6x50	
21	482K7-000	1	CIRCLIP, 7mm	
22	551A0-314	1	PIN, dowel, 3x14	
23	16085-019	1	GEAR, oil pump 49T	
24	92022-080	1	WASHER, oil pump	
25	16082-059	1	OIL PUMP ASSY	NLA
26	220B0-618	4	SCREW, pan head, 6x18	
27	220B0-628	2	SCREW, pan head, 6x28	
28	16145-002	1	GASKET, oil pump	
29	92055-048	2	O-RING	
30	16111-004	1	STRAINER, oil pump	
31	220B0-508	3	SCREW, pan head, 5x8	
32	92042-038	2	PIN, dowel	
33	92001-164	1	BOLT, hex head, 6x35	
34	92001-163	1	BOLT, hex head, 6x22	
35	92001-165	1	BOLT, hex head, 6x45	

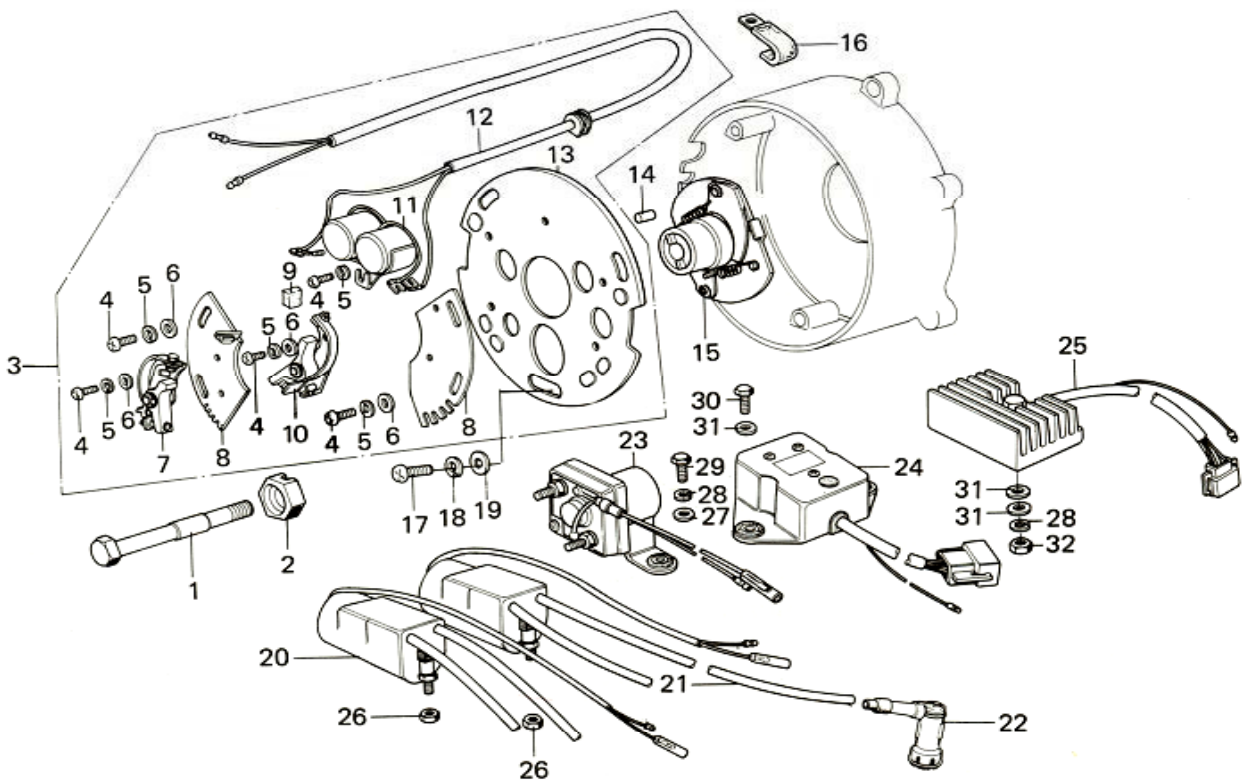
14. Mufflers, Air Cleaner



14. Mufflers, Air Cleaner

No.	Part No.	Q'TY	PART NAME	
1	220B0-535	4	SCREW, pan head, 5x35	
2	92037-061	4	CLAMP, air inlet	
3	11015-050	1	INLET PIPE, LH outside	
4	11015-051	2	INLET PIPE, LH inside, RH outside	
5	11015-053	1	INLET PIPE, RH outside	
6	220B0-416	8	SCREW, pan head, 4x16	
7	410B0-400	8	WASHER, plain, 4mm	
8	41040-001	1	HOLDER, inlet pipe	NLA
9	41040-003	1	PLATE RH	NLA
10	41040-002	1	PLATE LH	NLA
11	41012-070	1	CAP, air cleaner	NLA
12	11013-054	1	ELEMENT, air cleaner	
13	11011-054	1	BODY, air cleaner	
14	92037-106	1	CLAMP, silencer	NLA
15	41016-008	1	SILENCER	NLA
16	220B0-550A	1	SCREW, pan head, 5x50	NLA
17	11012-063	2	CAP, drain	
18	92059-124	1	TUBE, drain	
19	92037-028	1	CLAMP, drain tube	
20	92017-014	8	NUT, 6mm	
21	18069-045	2	HOLDER, exhaust pipe	
22	92027-170	8	INSERT, exhaust pipe	
23	18067-018	4	GASKET, exhaust pipe	
24	18001-206	1	MUFFLER ASSY, RH, UPPER	
25	18001-205	1	MUFFLER ASSY, RH, LOWER	
26	18069-046	2	HOLDER, exhaust pipe	
27	18001-204	1	MUFFLER ASSY, LH, LOWER	
28	92019-021	2	NUT, lock, 10mm	
29	220B0-616	2	SCREW, pan head, 6x16	
30	92059-120	2	PIPE, muffler connection	
31	92037-103	2	CLAMP, connection pipe	
32	18001-203	1	MUFFLER ASSY, LH, UPPER	
33	92092-010	4	BUSHING, muffler fitting	
34	92003-180	2	BOLT, hex head, 10x104	

15. Contact Breaker, Spark Advancer

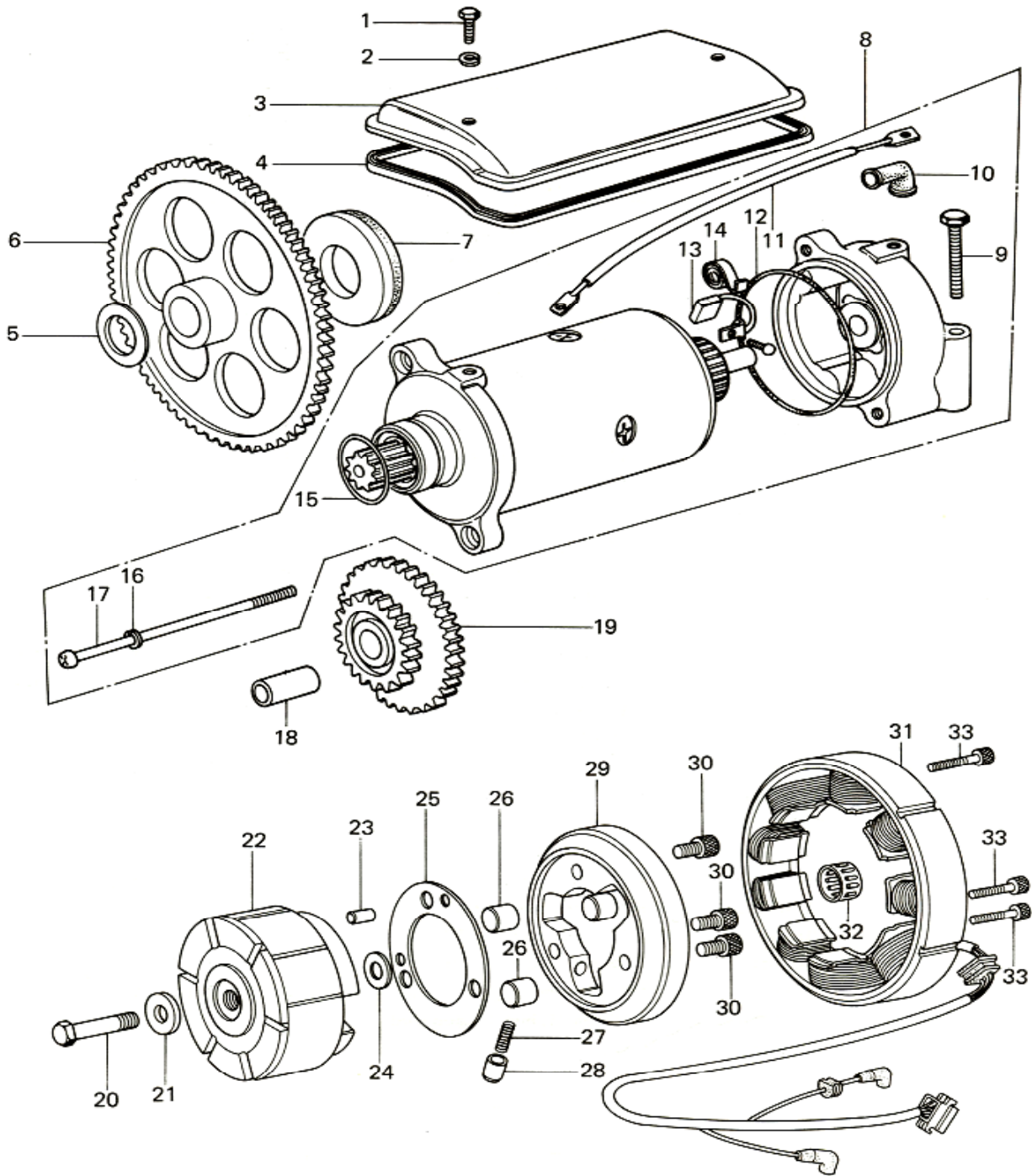


15. Contact Breaker, Spark Advancer

No.	Part No.	Q'TY	PART NAME	
1	92001-113	1	BOLT, spark advancer fitting	
2	92022-244	1	WASHER, spark advancer	
3	21135-011	1	BREAKER ASSY, contact	
4	220B0-408	9	SCREW, pan head, 4x8	
5	461F0-400	9	WASHER, spring, 4mm	
6	410B0-400	9	WASHER, plain, 4mm	
7	21008-028	1	BREAKER, contact	
8	21456-010	2	PLATE, breaker	NLA
9	21019-018	1	FELT, oil	NLA
10	21008-027	1	BREAKER, contact	
11	21013-035	1	CONDENSER	
12	21029-037	1	WIRING HARNESS, contact breaker	NLA
13	21021-004	1	BASE, contact breaker	NLA
14	551A0-408	1	PIN, dowel, 4x8	
15	21148-010	1	ADVANCER ASSY, spark	
16	21126-007	8	CLAMP, cord	
17	220B0-512	3	SCREW, pan head, 5x12	
18	461F0-500	3	WASHER, Spring, 5mm	
19	411B0-500	3	WASHER, plain, 5mm	
20	21121-081	1	COIL, ignition #1+4	
21	21121-082	1	COIL, ignition #2+3	NLA
22	21130-023*	4	CAP, spark plug	
23	21164-001	1	SWITCH ASSY, magnetic	
24	21066-025	1	REGULATOR, voltage	
25	21061-024	1	RECTIFIER	NLA
26	92017-014	2	NUT, lock, 6mm	
27	92022-125	2	WASHER, plain	
28	461F0-600	3	WASHER, spring, 6mm	
29	110B0-616	2	BOLT, hex head, 6x16	
30	110B0-612	2	BOLT, hex head, 6x12	
31	410B0-600	3	WASHER, plain, 6mm	
32	310B0-600	2	NUT, 6mm	

* 21160-005 4 CAP, spark plug (entstört)

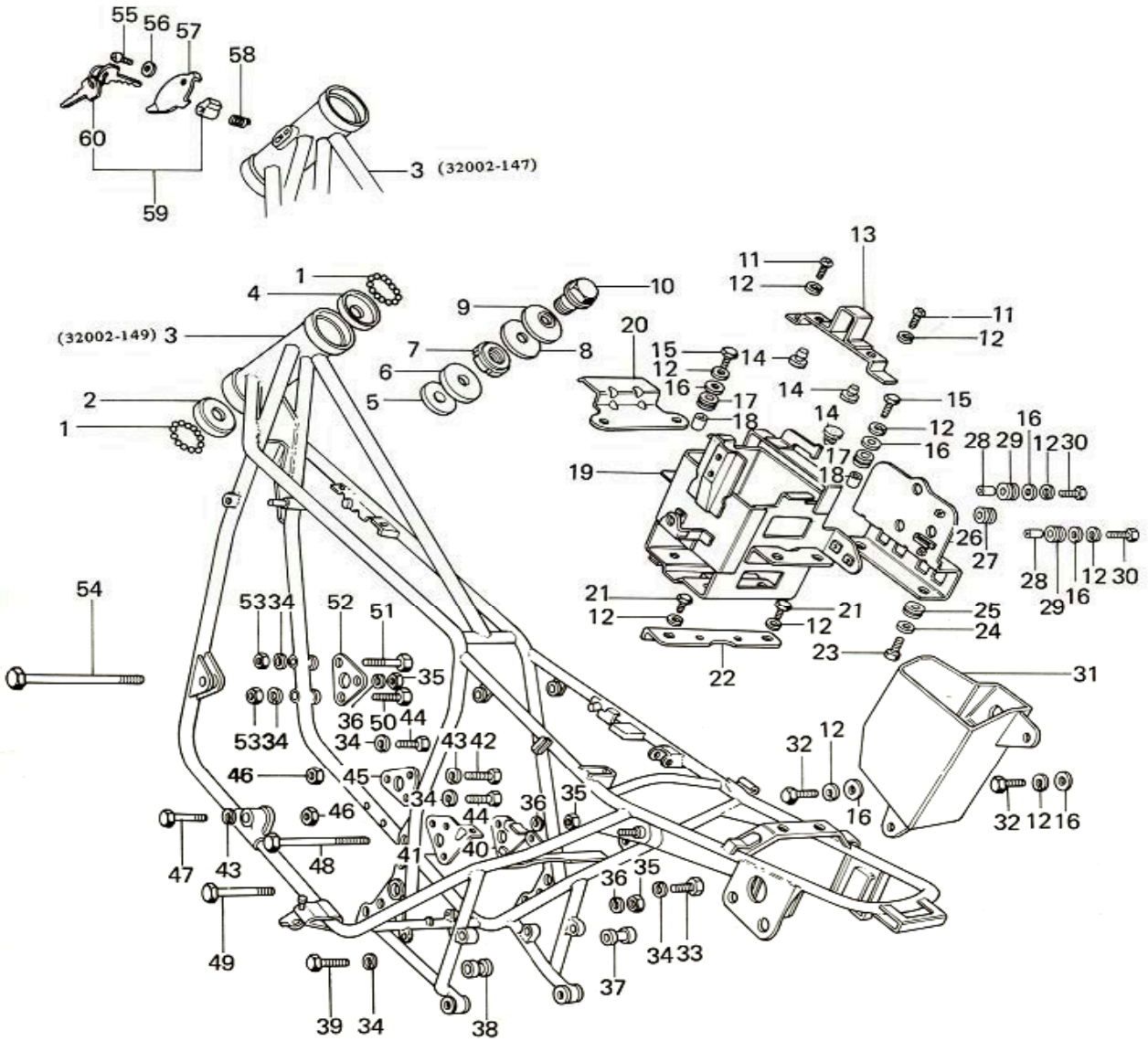
16. Starting Motor, Dynamo



16. Starting Motor, Dynamo

No.	Part No.	Q'TY	PART NAME	
1	110N0-610	2	BOLT, hex head, 6x10	
2	410D0-600	2	WASHER, plain, 6mm	
3	21165-001	1	COVER, starting motor	NLA
4	21166-001	1	GASKET, starting motor cover	
5	92026-091	1	WASHER, thrust, 22mm	NLA
6	21167-003	1	GEAR , starting clutch 71T	
7	92075-193	AR	DAMPER RUBBER 7.3t	
8	21163-004	1	MOTOR ASSY, starting	NLA
9	110B0-656	2	BOLT, hex head, 6x56	
10	21017-017	1	CAP, starting motor terminal	
11	26010-048	1	WIRE, starter motor lead	NLA
12	21027-003	1	O-RING	
13	21039-003	2	BRUSH, carbon	
14	21040-003	2	SPRING, carbon brush	
15	21027-004	1	O-RING, 24mm	
16	461F0-600	2	WASHER, spring, 6mm	
17	21015-005	2	SCREW, pan head, 6x110	NLA
18	43002-007	1	COLLAR	
19	21167-002	1	GEAR, starting motor	
20	114G0-840	1	BOLT, hex head, 8x40	
21	92022-218	1	WASHER, plain, 8mm	NLA
22	21007-032	1	ROTOR	
23	551A0-622	1	PIN, dowel, 6x22	NLA
24	92026-092	1	WASHER, plain, 22mm	
25	92026-082	1	PLATE, clutch starting	NLA
26	92122-001	3	ROLLER, 15mm	
27	92081-110	3	SPRING	
28	92043-087	3	PIN	
29	13194-003	1	CLUTCH, starting	
30	92003-104	3	BOLT, 8x16	
31	21076-023	1	STATOR ASSY	
32	92046-033	1	NEEDLE BEARING, K222620	NLA
33	120Q0-635	3	BOLT, 6x35	

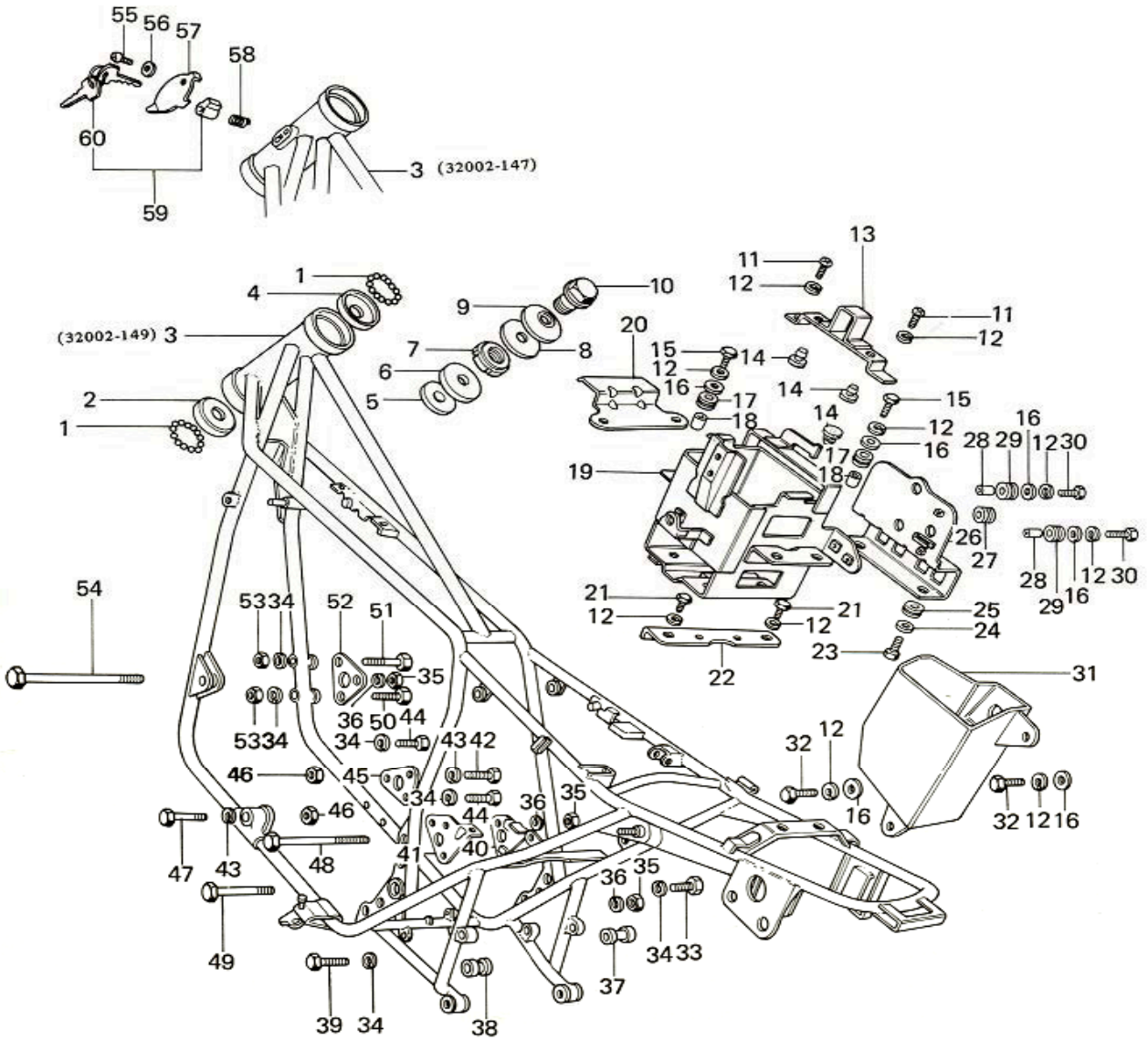
17. Frame 1/2



17. Frame 1/2

No.	Part No.	Q'TY	PART NAME	
1	600A0-800	39	BALL, steel, 1/4"	
2	92048-008	1	RACE, steering stem head upper	
3	32002-149	1	FRAME	NLA
4	92048-006	1	RACE, steering stem head lower	
5	92047-011	1	CONE, steering stem head upper	
6	46098-010	1	CAP, steering stem head	
7	92090-007	1	NUT, steering stem head	
8	46100-003	1	WASHER, wave	
9	92022-230	1	WASHER, steering stem head	
10	92007-031	1	BOLT, steering stem head	
11	220B0-616	2	SCREW, pan head, 6x16	
12	461F0-600	12	WASHER, spring, 6mm	
13	32100-020	1	BAND, battery	NLA
14	92075-078	10	DAMPER RUBBER, battery	
15	110B0-624	4	BOLT, hex head, 6x24	NLA
16	92022-125	8	WASHER, plain, 6mm	
17	92075-076	4	DAMPER RUBBER	
18	92027-129	4	COLLAR	
19	32097-039	1	CASE, battery	NLA
20	32105-006	1	STAY, air cleaner	NLA
21	116B0-616	2	BOLT, hex head, 6x16	
22	32113-003	1	PLATE, battery case	NLA
23	92001-115	2	BOLT, hex head, 6x14	
24	410B0-800	2	WASHER, plain, 8mm	
25	92075-161	2	DAMPER RUBBER	
26	32129-006	1	BRACKET, base	NLA
27	92075-051	1	DAMPER RUBBER	
28	92027-165	2	COLLAR	
29	92075-149	2	DAMPER RUBBER	
30	110B0-620	2	BOLT, hex head, 6x20	
31	32098-024	1	CASE, tool	NLA
32	110B0-614	2	BOLT, hex head, 6x14	
33	110G0-840	3	BOLT, hex head, 8x40	
34	461F0-800	8	WASHER, spring, 8mm	
35	92019-021	3	NUT, lock, 10mm	
36	461F1-000	3	WASHER, spring, 10mm	
37	92027-160	1	COLLAR, engine mounting, 31mm	
38	92027-159	1	COLLAR, engine mounting, 52mm	NLA
39	110G0-836	1	BOLT, hex head, 8x36	
40	32030-056	1	PLATE, engine mounting, RH	NLA
41	32030-055	1	PLATE, engine mounting, LH	
42	113B1-256A	1	BOLT, hex head, 12x56	NLA
43	461F1-200	2	WASHER, spring, 12mm	

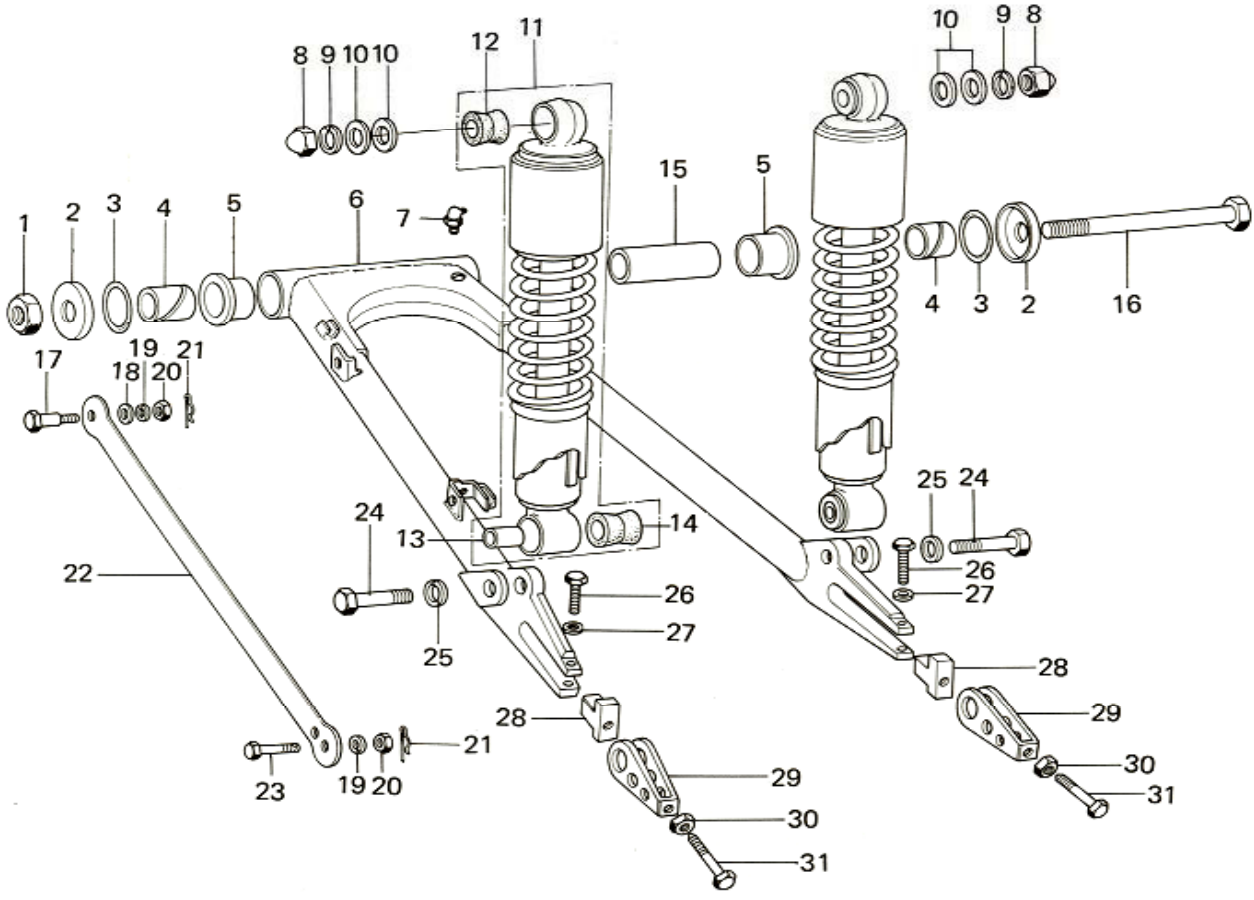
17. Frame 2/2



17. Frame 2/2

No.	Part No.	Q'TY	PART NAME	
44	110B0-818	2	BOLT, hex head, 8x18	
45	32030-026	1	PLATE, engine mounting, lower	NLA
46	92016-045	2	NUT, lock, 12mm	
47	443B1-271A	1	BOLT, hex head, 12x71	NLA
48	92091-023	1	BOLT, engine mounting, 250mm	
49	92003-099	1	BOLT, engine mounting, 165mm	
50	110G0-859	1	BOLT, hex head, 8x59	
51	110G0-863	1	BOLT, hex head, 8x63	
52	32030-025	1	PLATE, engine mounting, front	NLA
53	311B0-800	2	NUT, 8mm	
54	92091-022	1	BOLT, engine mounting, 310mm	

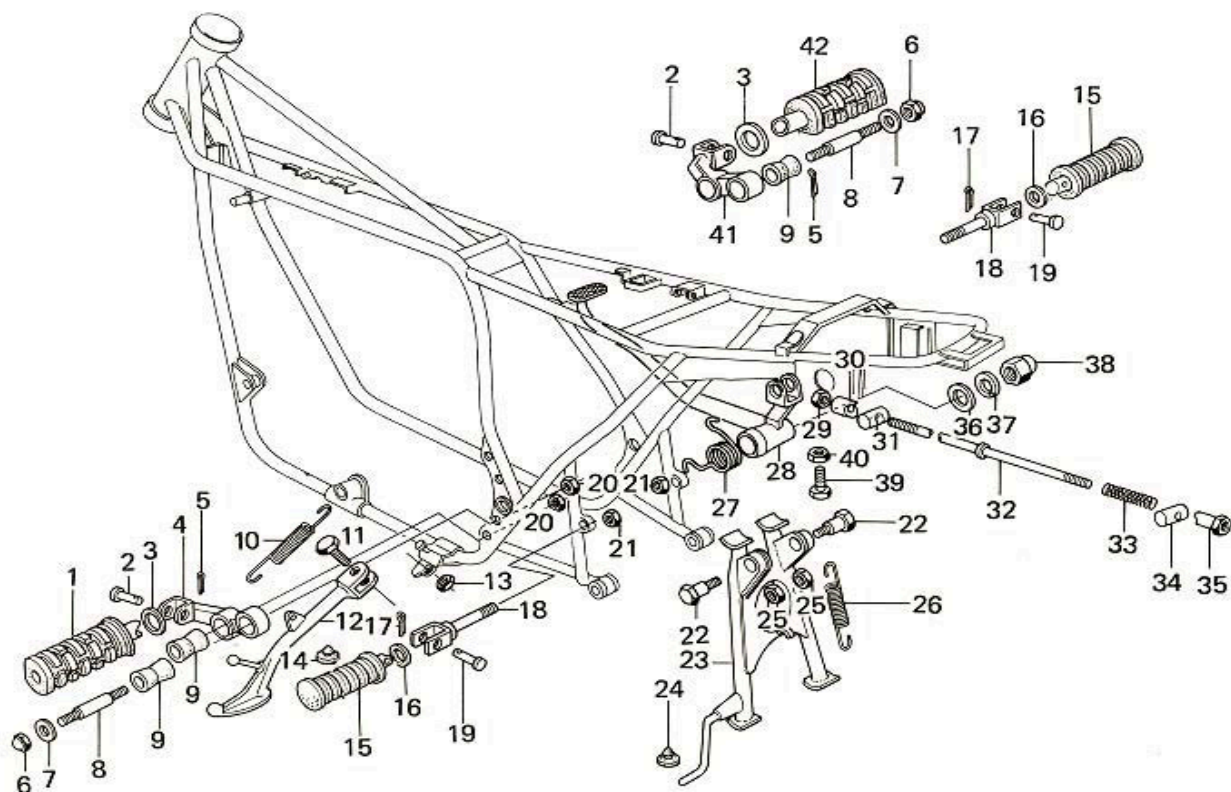
18. Swinging Arm, Rear Shock Absorber



18. Swinging Arm, Rear Shock Absorber

No.	Part No.	Q'TY	PART NAME	
1	92019-022	1	NUT, lock, 16mm	
2	33035-007	2	CAP, swinging arm	
3	671B2-530	2	O-RING, 30mm	
4	33034-009	2	SLEEVE, swinging arm	
5	33033-009	2	BUSHING, swinging arm	
6	33001-046	1	SWINGING ARM	NLA
7	92005-002	1	NIPPLE, grease	
8	92020-014	2	NUT, shock absorber fitting	
9	461F1-200	2	WASHER, spring, 12mm	
10	410B1-200	4	WASHER, plain, 12mm	
11	45014-107	2	SHOCK ABSORBER	
12	45017-018	2	BUSHING, shock absorber rubber	
13	45016-003	2	BUSHING, shock absorber	
14	45017-011	2	BUSHING, shock absorber	
15	33036-005	1	COLLAR, swinging arm	
16	33032-036	1	SHAFT, swinging arm pivot	
17	92003-103	1	BOLT, hex head, 8x28	NLA
18	411B1-000	1	WASHER, plain, 10mm	
19	461F1-000	2	WASHER, spring, 10mm	
20	313B1-000	2	NUT, 10mm	
21	92041-005	2	PIN, cotter	
22	43007-032	1	TORQUE LINK, rear brake	NLA
23	92003-147	1	BOLT, hex head, 10x45	NLA
24	113N1-035	2	BOLT, hex head, 10x35	
25	461F1-000	2	WASHER, spring, 10mm	
26	110G0-840	2	BOLT, hex head, 8x40	
27	416F0-800	2	WASHER, spring, 8mm	
28	33044-001	2	STOPPER, chain adjuster	
29	33040-066	1	ADJUDUSTER, chain	
30	315B1-000	2	NUT, 10mm	
31	92001-143	2	BOLT, chain adjuster, 10mm	

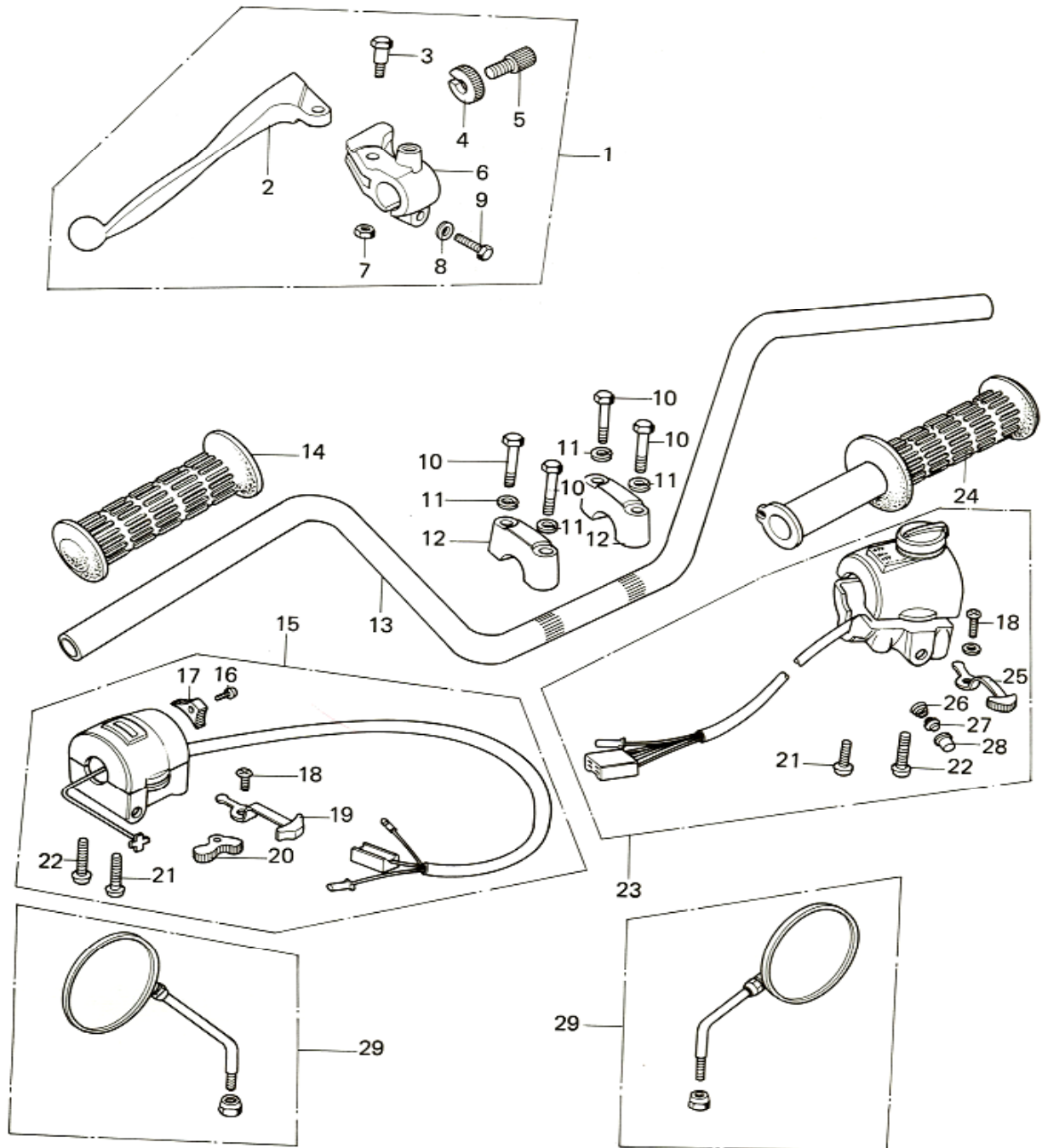
19. Footrests, Stands, Brake Pedal



19. Footrests, Stands, Brake Pedal

No.	Part No.	Q'TY	PART NAME	
1	34028-011	1	BAR, footrest, LH	NLA
2	92043-080	2	PIN, footrest bar fitting	
3	92022-250	2	WASHER, plain	
4	34003-036	1	BRACKET, footrest bar, LH	NLA
5	550D2-516	2	PIN, cotter, 2.5x15	
6	92019-013	4	NUT, lock, 8mm	
7	92102-010	4	CAP, footrest bar	
8	92004-048	4	STUD, footrest bar fitting	NLA
9	92075-140	4	RUBBER, footrest bar	
10	34025-005	1	SPRING, side stand	
11	92003-079	1	BOLT, side stand	
12	34024-060	1	STAND, side	NLA
13	315B1-000	1	NUT, 10mm	
14	92075-157	1	RUBBER, side stand	
15	92076-027	2	RUBBER, rear footrest	
16	92022-199	2	WASHER, plain	
17	550D2-012	2	PIN, cotter, 2.0x12	
18	33028-011	2	BRACKET, rear footrest	NLA
19	92043-079	2	PIN, rear footrest fitting	
20	315B1-000	4	NUT, 10mm	
21	315B1-200	2	NUT, 12mm	
22	34019-014	2	SHAFT, main stand	NLA
23	34011-029	1	STAND, main	NLA
24	92075-015	1	RUBBER, main stand	
25	92016-044	2	NUT, 12mm	
26	34023-012	1	SPRING, main stand	
27	43005-021	1	SPRING, brake pedal	
28	43001-044	1	PEDAL, brake	NLA
29	92017-014	1	NUT	
30	92027-177	1	PIN, brake rod	
31	92043-095	1	PIN, brake rod	
32	43011-017	1	ROD, brake	NLA
33	43012-002	1	SPRING, brake rod	
34	92043-065	1	PIN, brake rod	
35	92015-056	1	NUT, brake rod adjuster	
36	92022-195	1	WASHER, plain	
37	461F0-800	1	WASHER, spring, 8mm	
38	92019-013	1	NUT, lock, 8mm	
39	110B0-620	1	BOLT, hex head, 6x20	
40	310B0-600	1	NUT, 6mm	
41	34003-037	1	BRACKET, footrest bar, RH	NLA
42	34028-012	1	BAR, footrest, RH	NLA

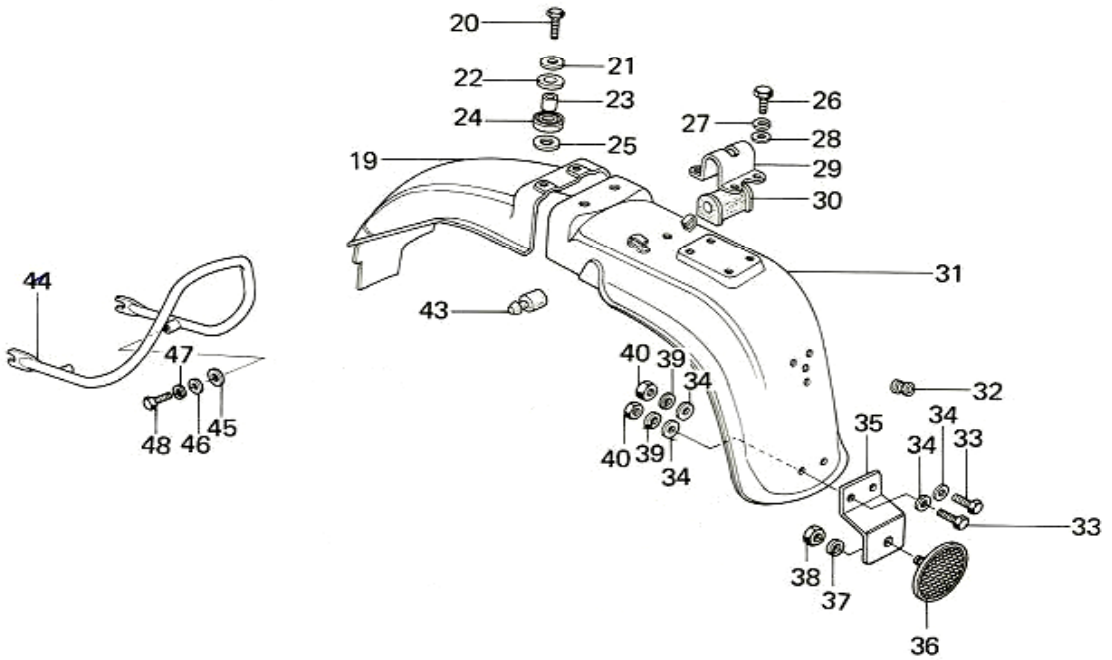
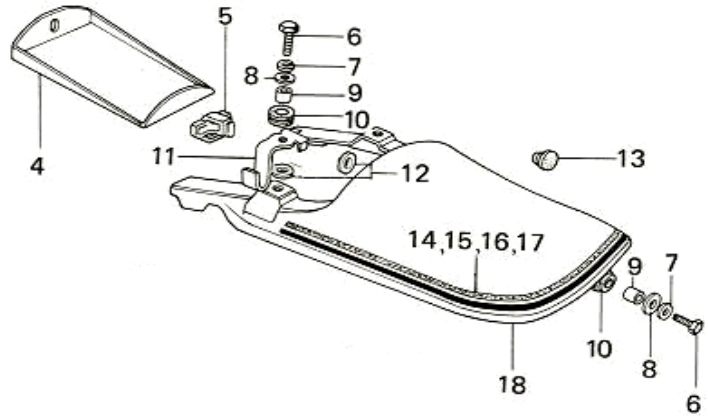
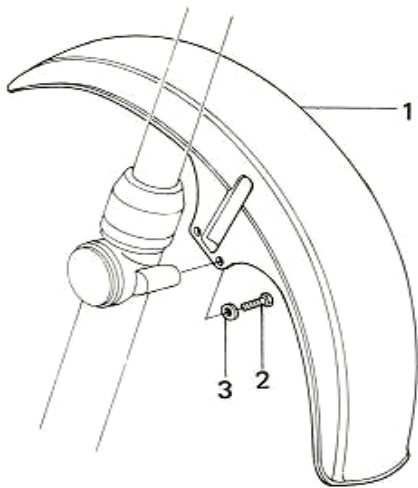
20. Handlebar, Grips



20. Handlebar, Grips

No.	Part No.	Q'TY	PART NAME	
1	46076-049	1	LEVER ASSY, clutch	
2	46092-022	1	LEVER, clutch	
3	92007-047	1	BOLT, hex head, 6mm	
4	46056-005	1	NUT, cable adjuster lock	
5	46055-003	1	SCREW, cable adjuster	
6	46094-017	1	HOLDER, clutch lever	
7	92017-014	1	NUT, lock, 6mm	
8	410B0-600	1	WASHER, plain, 6mm	
9	110B0-622	1	BOLT, hex head, 6x22	
10	92007-002	4	BOLT, handlebar fitting	
11	461F0-800	4	WASHER, spring, 8mm	
12	46012-008	2	HOLDER, handlebar	
13	46003-029	1	HANDLEBAR	
14	46075-028	1	RUBBER, LH, grip	
15	46091-034	1	CASE ASSY, LH	
16	221B0-308A	1	SCREW, countersunk head, 3x9	
17	46043-013	1	KNOB ASSY, lighting switch	
18	220B0-305A	2	SCREW, pan head 3x5	
19	46043-005	1	KNOB ASSY, lighting switch	NLA
20	46028-006	2	BUTTON, horn switch	NLA
21	220B0-520	2	SCREW, pan head, 5x20	
22	220B0-530	2	SCREW, pan head, 5x30	
23	46132-024	1	CASE ASSY, RH	
24	46018-038	1	GRIP ASSY, throttle	
25	46043-004	1	KNOB ASSY, lighting switch	NLA
26	46031-005	1	SPRING, horn button	
27	46079-003	1	CONTACT, horn button	
28	46028-003	1	BUTTON, horn push	
29	56002-027	2	REAR VIEW MIRROR ASSY	

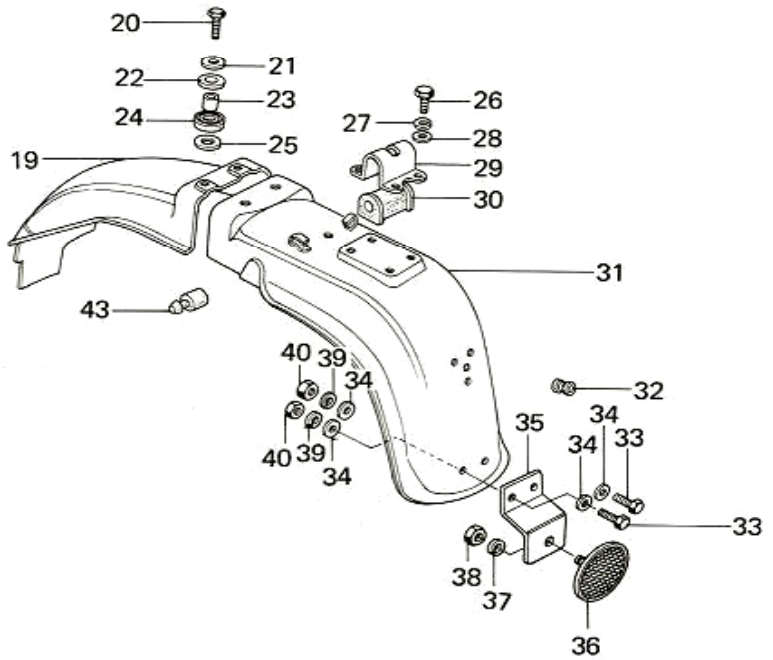
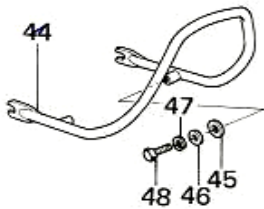
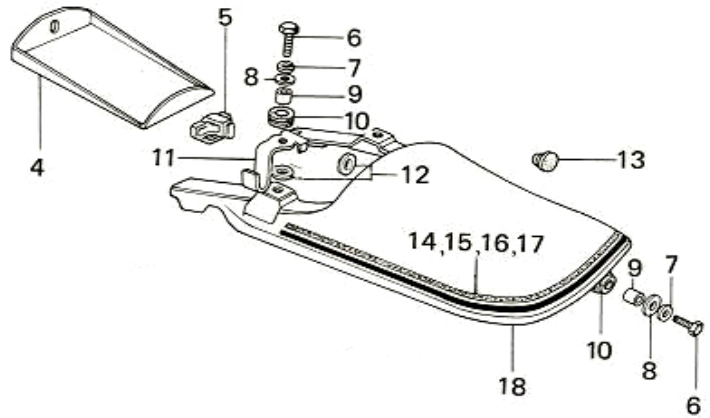
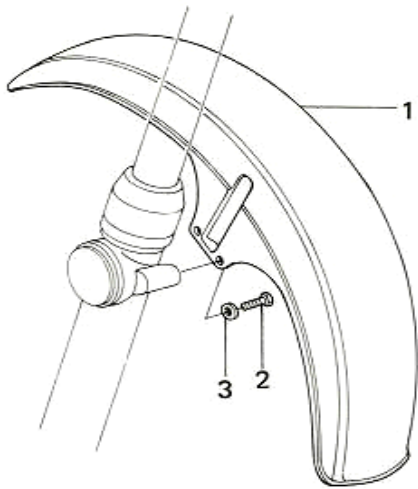
21. Fenders 1/2



21. Fenders 1/2

No.	Part No.	Q'TY	PART NAME	
1	35003-015	1	FENDER, front	
2	110B0-816	4	BOLT, hex head, 8x16	
3	461F0-800	4	WASHER, spring, 8mm	
4	32099-018	1	CASE	NLA
5	92074-024	1	PLUG	NLA
6	116B0-625	4	BOLT, hex head, 6x25	
7	461F0-600	4	WASHER, spring, 6mm	
8	92022-228	4	WASHER, plain, 6mm	
9	92027-162	4	COLLAR, rear fender	
10	92075-174	4	DAMPER RUBBER	
11	33122-010	1	BRACKET, helmet holder	NLA
12	92075-175	4	RUBBER, fender cover	
13	92074-022	2	RUBBER PLUG	
14	56027-411	1	EMBLEM, LH, Diamond Dark Green	NLA
15	56027-412	1	EMBLEM, RH, Diamond Dark Green	NLA
16	56027-419	1	EMBLEM, LH, Diamond Brown	NLA
17	56027-420	1	EMBLEM, RH, Diamond Brown	NLA
18	53043-0133-M	1	COVER, RR fender, D. Dark Green	NLA
18	53043-0133-N	1	COVER, RR fender, Diamond Brown	NLA
19	35022-071	1	FENDER, rear	NLA
20	110B0-632	2	BOLT, hex head, 6x32	NLA
21	92022-228	2	WASHER, plain	
22	92075-121	2	RUBBER, rear fender	
23	92027-162	2	COLLAR, fender cover	
24	92075-133	2	RUBBER	
25	92022-227	2	WASHER, plain, 6mm	
26	116B0-616	4	BOLT, hex head, 6x16	
27	416F0-600	4	WASHER, spring, 6mm	
28	411B0-600	4	WASHER, plain, 6mm	
29	35026-006	1	BRACKET, rear fender	NLA
30	92075-132	1	RUBBER, rear fender	NLA
31	35022-123	1	FENDER, rear	NLA
32	92071-019	1	GROMMET, harness, 10mm	
33	220B0-616	2	SCREW, pan head, 6x16	
34	411B0-600	4	WASHER, plain, 6mm	
35	28013-010	1	BRACKET, reflex reflector	NLA
36	28012-015	1	REFLECTOR, reflex	NLA
37	461F0-500	1	WASHER, spring, 5mm	
38	310B0-500	1	NUT, 5mm	
39	461F0-600	2	WASHER, spring, 6mm	
40	310B0-600	2	NUT, 6mm	
41	-		MODEL FRANCE	
42	-		MODEL FRANCE	

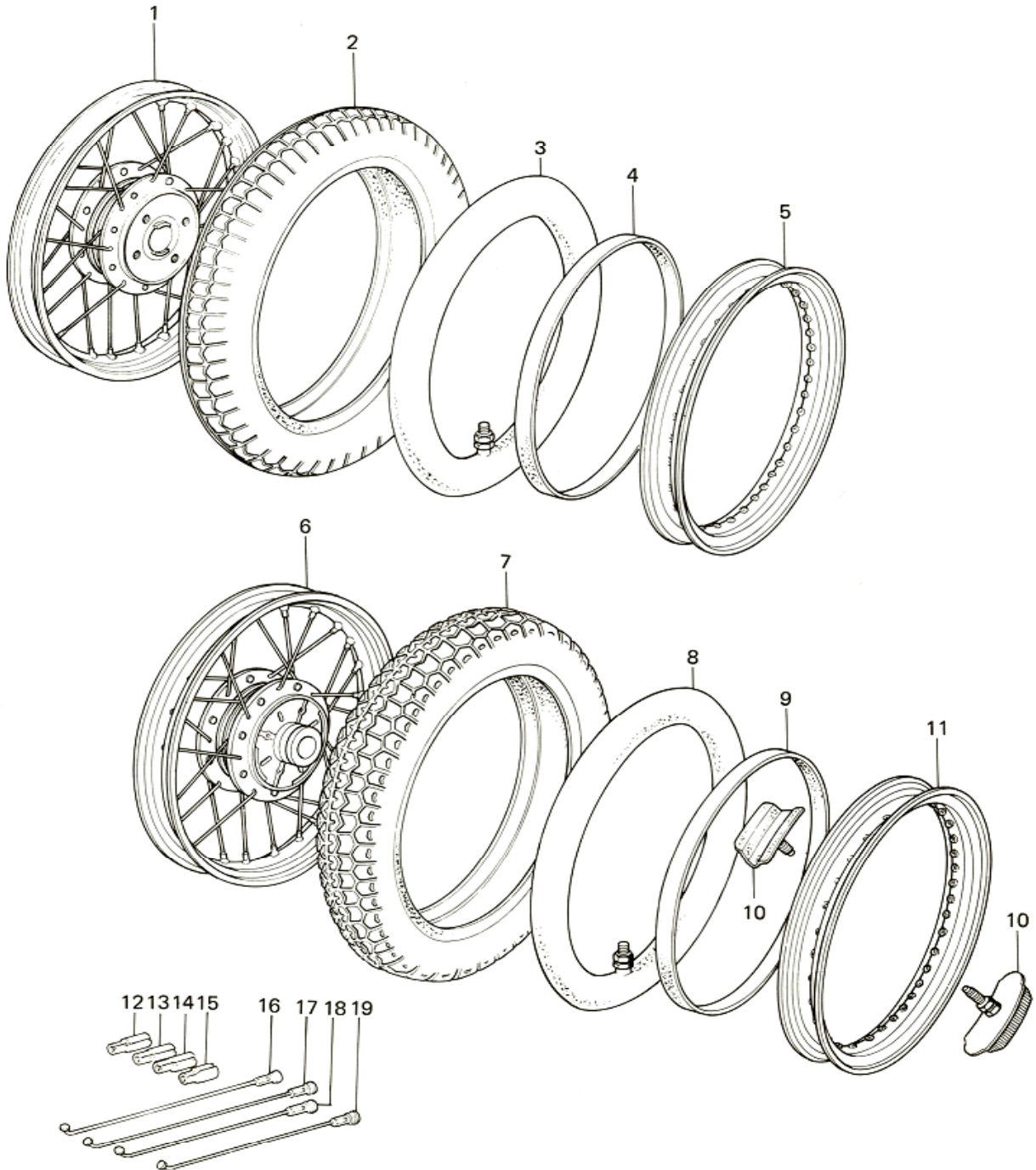
21. Fenders 2/2



21. Fenders 2/2

No.	Part No.	Q'TY	PART NAME
43	92075-175	2	DAMPER RUBBER
44	35032-030	1	STAY, rear fender
45	92022-044	2	WASHER, plain, 10mm
46	411B1-000	2	WASHER, plain, 10mm
47	461F1-000	2	WASHER, spring, 10mm
48	113B1-022	2	BOLT, hex head, 10x22

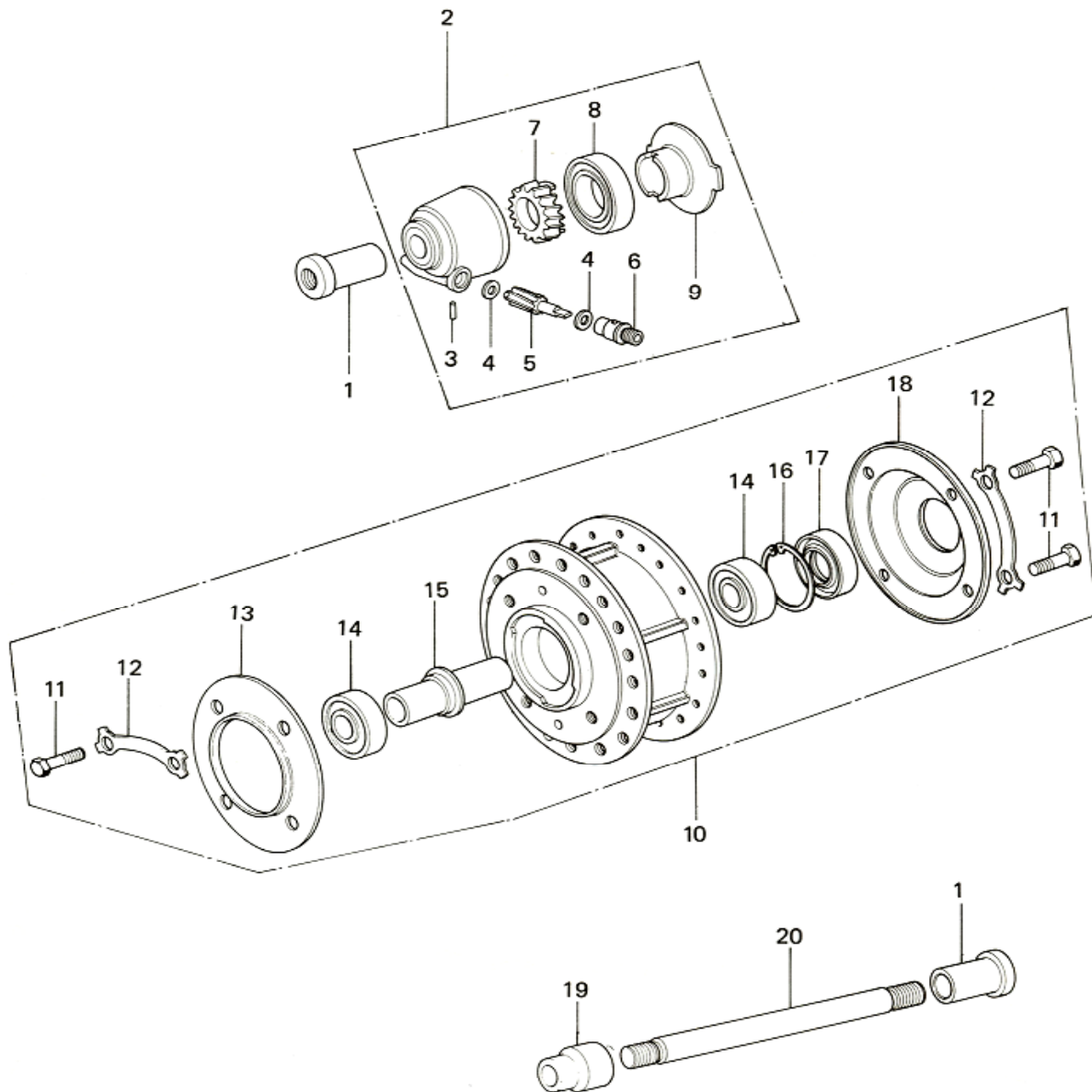
22. Wheels



22. Wheels

No.	Part No.	Q'TY	PART NAME	
1	41074-047	1	WHEEL ASSY, front	NLA
2	-	1	TIRE, front 3.25-19	NLA
3	-	1	TUBE, front tire 3.25-19	NLA
4	41023-015	1	BAND, front rim	
5	41025-085	1	RIM, front 1.85Bx19W	
6	42048-023	1	WHEEL ASSY, rear	NLA
7	-	1	TIRE, rear 4.00-18	NLA
8	-	1	TUBE, rear tire 4.00-18	NLA
9	41023-017	1	BAND, rear rim	
10	41024-008	2	BEAD PROTECTOR, 2.15B	NLA
11	41025-049	1	RIM, rear 2.15Bx18W	
12	41075-004	AR	WEIGHT, wheel balance, 5g	
13	41075-001	AR	WEIGHT, wheel balance, 10g	
14	41075-002	AR	WEIGHT, wheel balance, 20g	
15	41075-003	AR	WEIGHT, wheel balance, 30g	
16	41027-085	20	SPOKE ASSY, front inner	184,5mm 97°
17	41057-084	20	SPOKE ASSY, front outer	184,0mm 83.3°
18	41027-057	20	SPOKE ASSY, rear inner	143,0mm 101°
19	41028-057	20	SPOKE ASSY, rear outer	142,0mm 73°

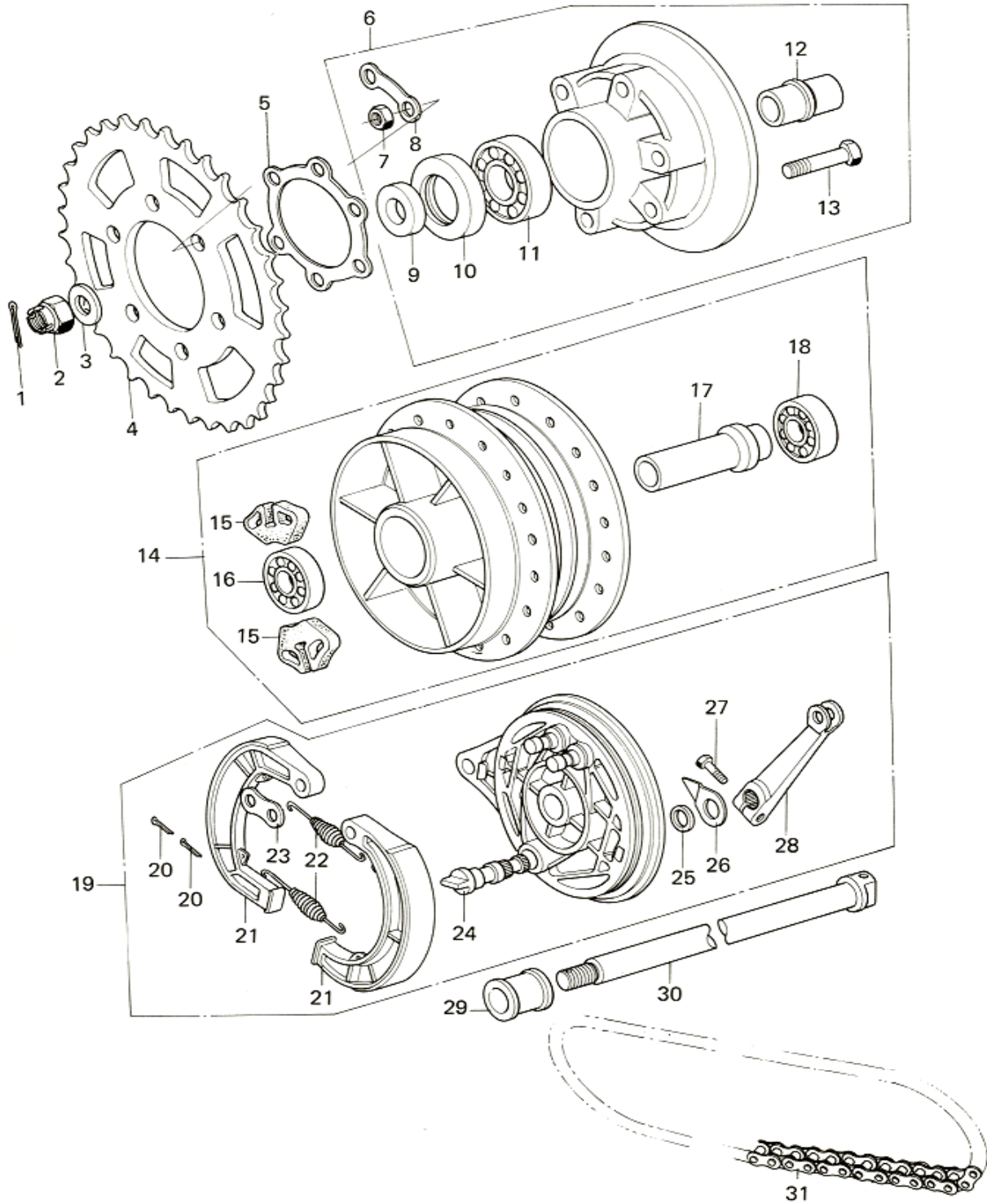
23. Front Hub



23. Front Hub

No.	Part No.	Q'TY	PART NAME	
1	41069-033	2	COLLAR, front axle	
2	41078-008	1	GEAR BOX ASSY	
3	41082-001	1	SPRING PIN	
4	41063-001	2	WASHER, thrust	
5	41060-017	1	PINION, speedometer	
6	41062-005	1	BUSHING, speedometer cable	
7	41059-026	1	GEAR, speedometer	
8	654A3-0420-8	1	OIL SEAL	
9	41064-013	1	RECEIVER, speedometer gear	
10	41034-040	1	DRUM ASSY, front brake	
11	92001-158	8	BOLT, hex head, 10mm	
12	92088-023	4	WASHER, lock	
13	41042-014	1	DUST COVER, LH	NLA
14	601B6-203	2	BEARING, ball, #6203	
15	41039-028	1	SPACER, front hub bearing	NLA
16	481J4-000	1	CIRCLIP, 40mm	
17	654A2-5400-8	1	OIL SEAL	NLA
18	41042-015	1	DUST COVER, RH	NLA
19	41069-032	1	COLLAR, front axle	NLA
20	41068-049	1	AXLE, front	NLA

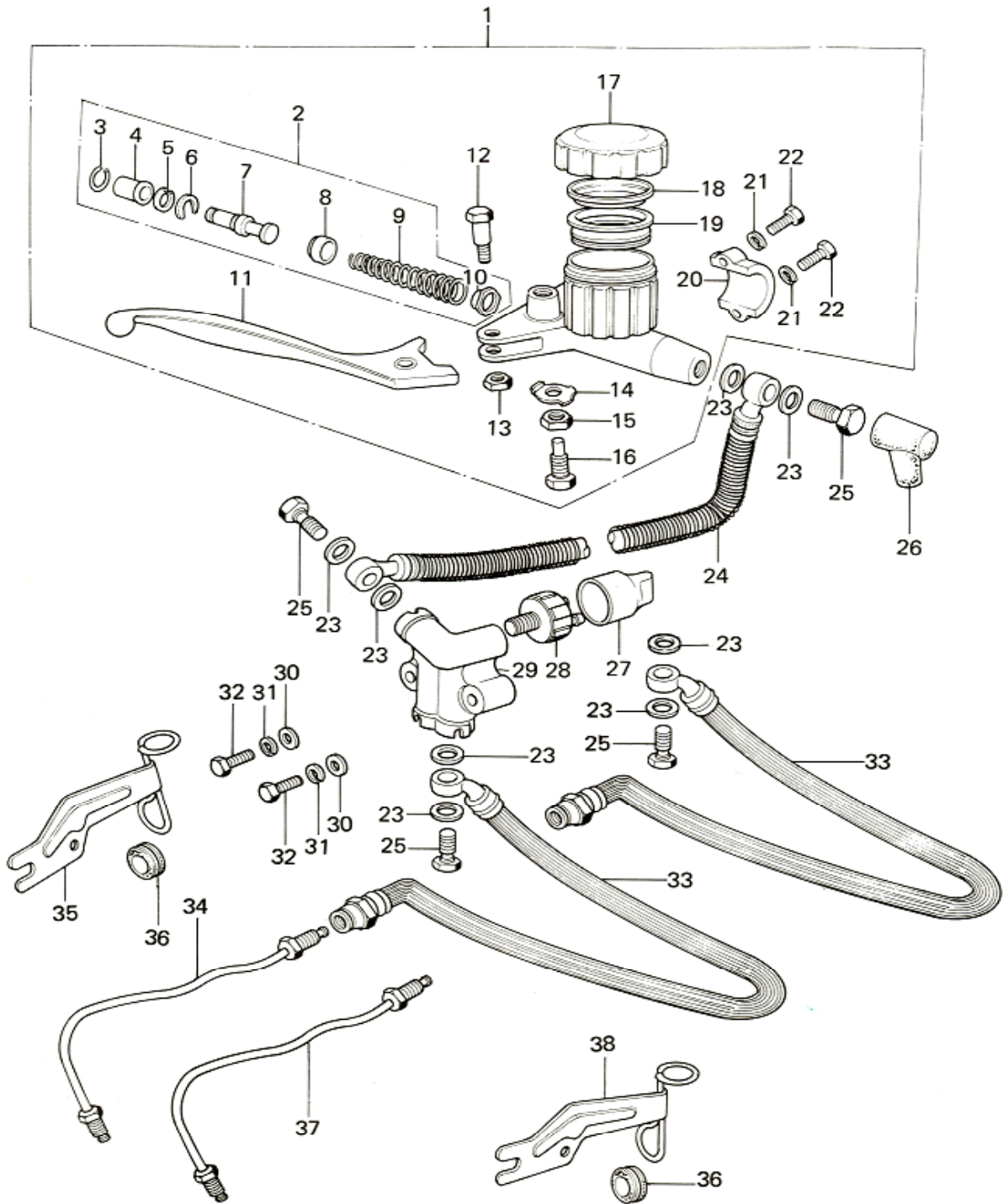
24. Rear Hub



24. Rear Hub

No.	Part No.	Q'TY	PART NAME	
1	550D4-035	1	PIN, cotter, 4.0x35	
2	42045-018	1	NUT, castle, 18mm	
3	92022-248	1	WASHER, plain, 20mm	
4	42041-161	1	REAR SPROCKET 33T	NLA
5	92026-108	1	SPACER, rear hub coupling	NLA
6	42008-013	1	COUPLING ASSY, rear hub	NLA
7	42045-005	6	NUT, 10mm	
8	92088-013	3	WASHER, lock, 10mm	
9	42037-023	1	COLLAR, rear axle sleeve	NLA
10	92050-027	1	OIL SEAL	
11	601B6-206	1	BEARING, ball, #6206	
12	42036-015	1	SLEEVE, rear hub coupling	NLA
13	92003-087	6	BOLT, rear sprocket fitting	
14	42005-030	1	DRUM ASSY, rear brake	NLA
15	42014-021	6	SHOCK DAMPER, rear hub	
16	601B6-304	1	BEARING, ball, #6304	
17	42010-021	1	SPACER, rear hub bearing	NLA
18	601B6-304Z	1	BEARING, ball, #6304Z	NLA
19	42006-062	1	PANEL ASSY, rear brake	
20	550D3-025	2	PIN, cotter, 3.0x25	
21	41048-016	2	SHOE, brake	NLA
22	41049-007	2	SPRING, brake shoe	
23	41045-006	1	WASHER, brake shoe	NLA
24	41050-017	1	CAM SHAFT, rear brake	
25	41051-003	1	DUST SHIELD, brake cam	
26	41085-004	1	INDICATOR, rear brake	
27	116B0-825	1	BOLT, hex head, 8x25	
28	42029-033	1	LEVER, rear brake cam	NLA
29	42032-037	1	COLLAR, rear axle	NLA
30	42031-034	1	AXLE, rear	
31	92057-096	1	CHAIN ASSY, EK630 - 92 Link	NLA

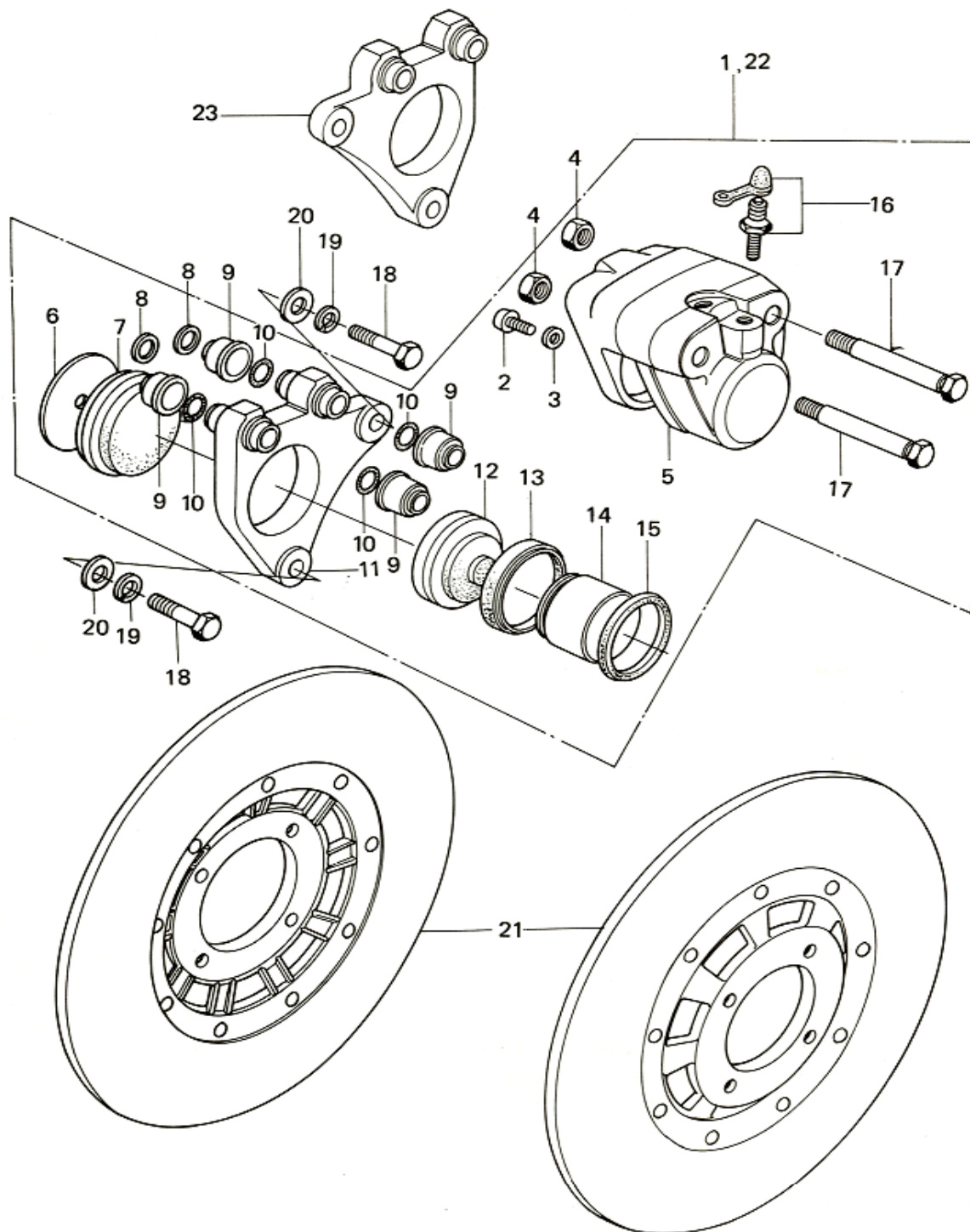
25. Disc Brake Equipment A



25. Disc Brake Equipment A

No.	Part No.	Q'TY	PART NAME	
1	43015-025	1	CYLINDER ASSY, master	
2	43073-005	1	REPAIR SET, master cylinder	
3	43025-001	1	STOPPER, boots	NLA
4	43024-001	1	BOOTS	NLA
5	481J1-800	1	CIRCLIP, 18mm	
6	43022-001	1	STOPPER, piston	NLA
7	43072-002	1	PISTON ASSY	NLA
8	43019-002	1	CUP, primary	
9	43018-002	1	SPRING ASSY, return	
10	43017-002	1	VALVE ASSY, check	NLA
11	43029-003	1	LEVER, front brake	
12	43033-004	1	BOLT, lever fitting	NLA
13	312B0-600	1	NUT, 6mm	
14	43031-001	1	WASHER, lock, 8mm	
15	311B0-800	1	NUT, 8mm	
16	43030-003	1	BOLT, lever adjusting	NLA
17	43026-003	1	CAP, oil cup	
18	43027-001	1	PLATE, master cylinder	
19	43028-003	1	DIAPHRAGM	
20	43034-001	1	HOLDER, master cylinder	NLA
21	411B0-600	2	WASHER, plain, 6mm	
22	110N0-625	2	BOLT, hex head, 6x25	
23	43067-001	8	WASHER, oil bolt	
24	43059-007	1	HOSE, master cylinder brake	
25	43066-001	4	BOLT, oil	
26	43069-001	1	COVER, dust	
27	92037-023	1	RUBBER CAP	NLA
28	43065-001	1	SWITCH, front brake	
29	43075-002	1	JOINT, four way	NLA
30	411B0-600	2	WASHER, plain, 6mm	
31	461F0-600	2	WASHER, spring, 6mm	
32	110N0-645	2	BOLT, hex head, 6x45	
33	43059-011	2	HOSE, front brake	
34	43060-023	1	PIPE, bridge, LH	
35	43063-001	1	BRACKET, brake hose LH	
36	43064-001	2	GROMMET, brake hose bracket	
37	43060-024	1	PIPE, bridge, RH	NLA
38	43063-003	1	BRACKET, brake hose, RH	

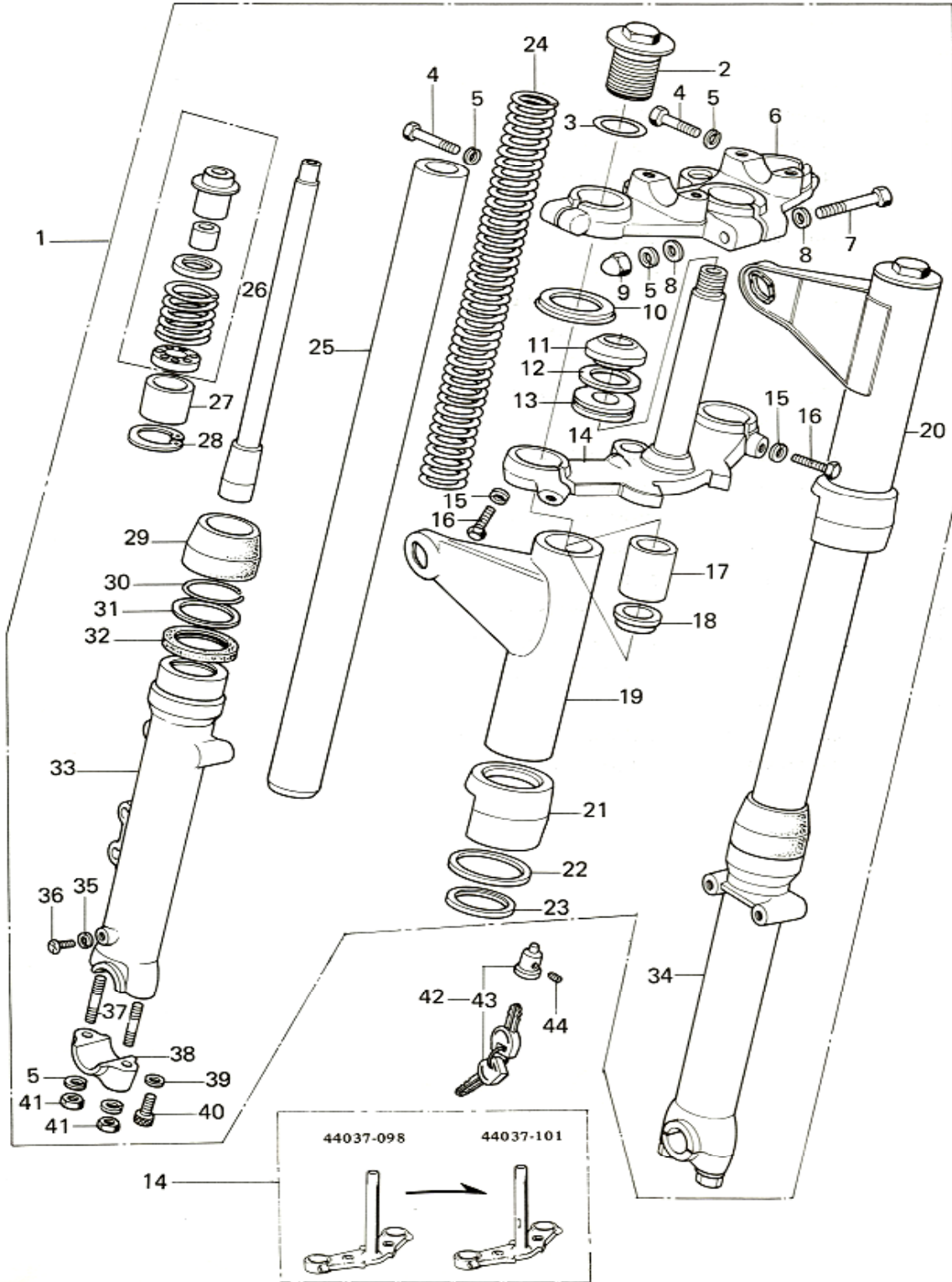
26. Disc Brake Equipment B



26. Disc Brake Equipment B

No.	Part No.	Q'TY	PART NAME	
1	43041-018	1	CALIPER ASSY, LH	NLA
2	220B0-612	2	SCREW, pan head, 6x12	
3	461F0-600	2	WASHER, spring, 6mm	
4	315B1-000	4	NUT, 10mm	
5	43042-008	2	CALIPER BODY	NLA
6	43040-004	2	SPACER	
7	43051-007	2	PAD B	
8	43088-002	4	DAMPER RUBBER	
9	43052-005	8	DUST SEAL	
10	43053-006	8	O-RING	
11	43044-008	1	HOLDER, caliper, LH	NLA
12	43050-006	2	PAD A	
13	43054-003	2	DUST SEAL, piston	
14	43048-006	2	PISTON, caliper	NLA
15	43049-002	2	RING, piston seal	
16	43085-001	2	BREEDER ASSY	
17	43045-006	4	BOLT	
18	92007-032	4	BOLT, caliper fitting	
19	461F1-000	4	WASHER, spring, 10mm	
20	410B1-000	4	WASHER, plain, 10mm	
21	41080-007	2	DISC PLATE, front brake	NLA
22	43041-019	1	CALIPER ASSY, RH	NLA
23	43044-009	1	HOLDER, caliper, RH	NLA

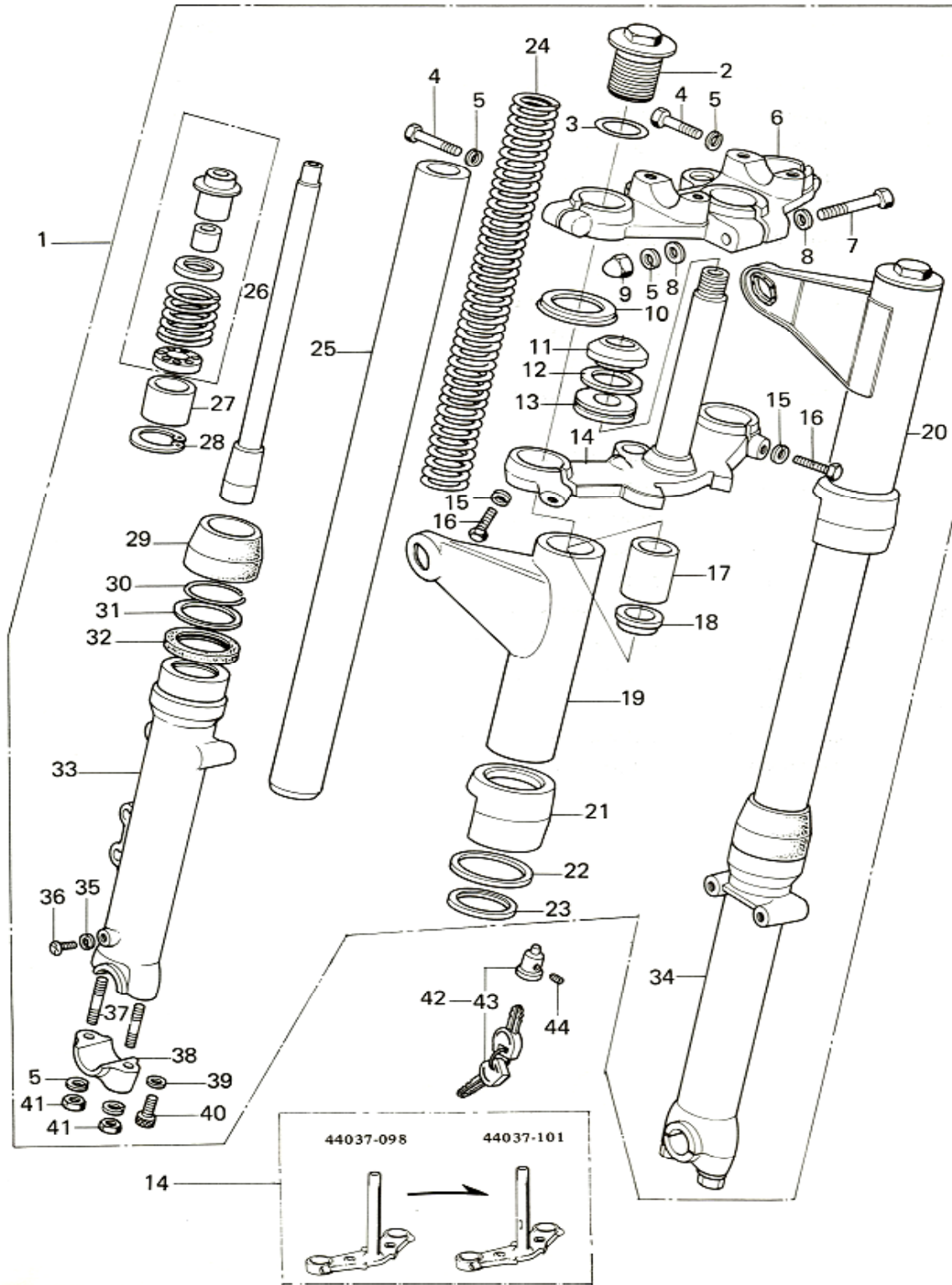
27. Front Fork 1/2



27. Front Fork 1/2

No.	Part No.	Q'TY	PART NAME	
1	44001-175	1	FRONT FORK ASSY	NLA
2	44062-003	2	BOLT, fork top	NLA
3	44046-015	2	O-RING, fork top	NLA
4	44041-045	2	BOLT, hex head, 8x35	
5	461F0-800	7	WASHER, spring, 8mm	
6	44039-073	1	HEAD, steering stem	
7	44041-042	1	BOLT, hex head, 8mm	NLA
8	410B0-800	2	WASHER, plain, 8mm	
9	92020-007	1	NUT, 8mm	
10	44064-005	2	WASHER, fork cover	
11	92047-012	1	CONE, steering stem	
12	92022-231	1	WASHER, plain	
13	92056-003	1	OIL SEAL, steering stem	
14	44037-098	1	STEM, steering	NLA
15	461F1-200	2	WASHER, spring, 12mm	
16	92003-064	2	BOLT, hex head, 12x36	
17	44028-039	2	SPACER, fork spring guide	NLA
18	44029-019	2	GUIDE, fork spring	NLA
19	44033-072	1	COVER, LH fork	NLA
20	44034-072	1	COVER, RH fork	NLA
21	44064-025	2	GUIDE, fork cover	NLA
22	44064-008	2	WASHER, fork cover guide	NLA
23	44045-038	2	GASKET, fork cover	
24	44026-071	2	SPRING, fork	NLA
25	44013-037	2	TUBE, fork inner	
26	44022-027	2	CYLINDER, fork	NLA
27	44018-009	2	PISTON, fork	NLA
28	44044-019	2	CIRCLIP	NLA
29	44010-032	2	DUST SHIELD, fork	
30	44044-015	2	CIRCLIP	
31	44043-044	2	WASHER, plain	
32	44009-024	2	OIL SEAL	
33	44005-063	1	TUBE, LH fork outer	NLA
34	44006-061	1	TUBE, RH fork outer	
35	44045-002	2	GASKET, fork drain	
36	220B0-408	2	SCREW, pan head, 4x8	
37	172G0-835	4	STUD, 8x35	
38	44063-014	2	HOLDER, front axle	NLA
39	44045-034	2	GASKET, fork cylinder bolt	
40	44041-040	2	BOLT, fork cylinder	
41	92019-022	4	NUT, lock, 8mm	
42	27016-048	1	LOCK ASSY, steering	NLA

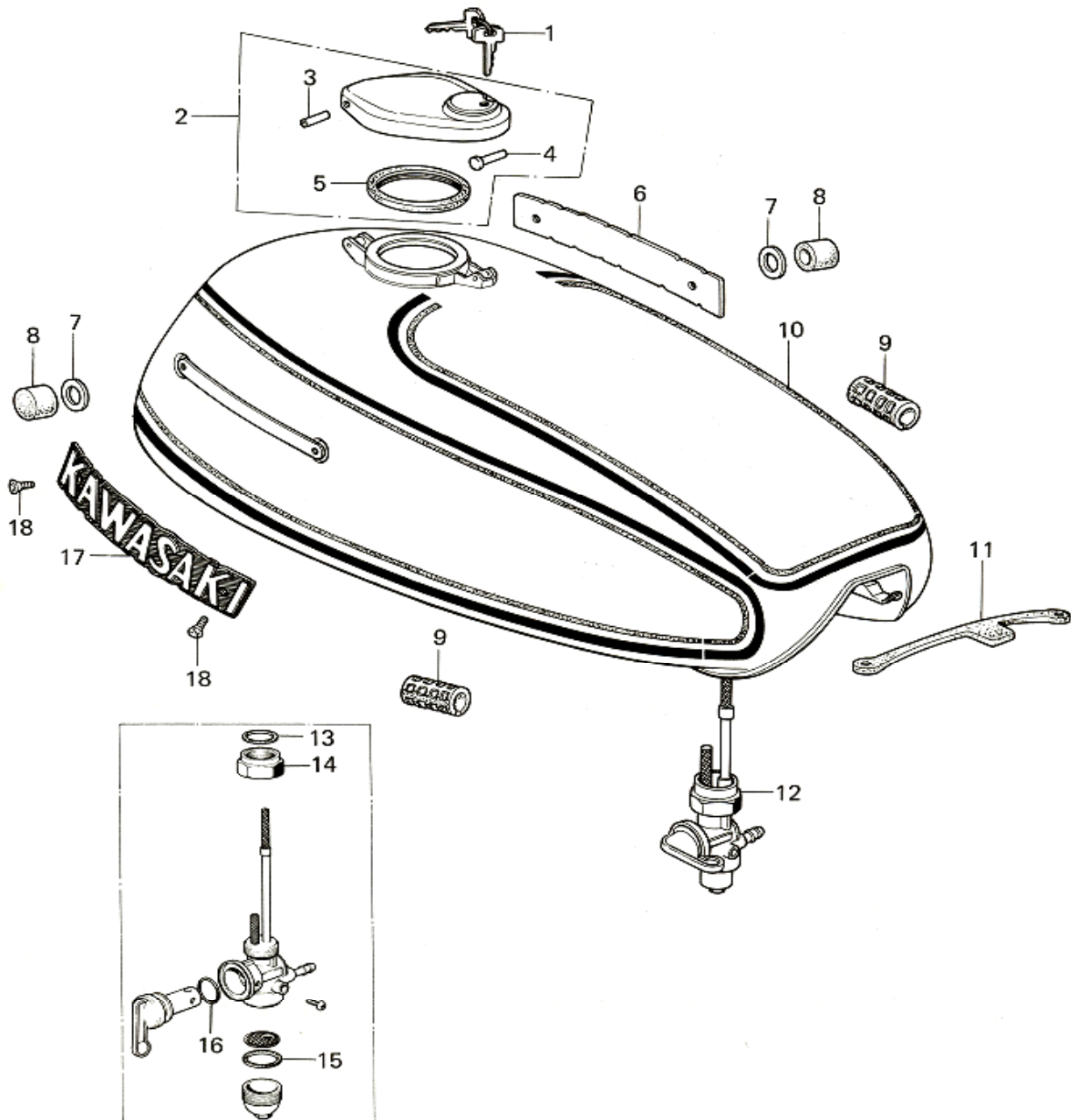
27. Front Fork 212



27. Front Fork 2/2

No.	Part No.	Q'TY	PART NAME	
43	27008-0695-1	1	KEY SET, #751	NLA
43	27008-0695-2	1	KEY SET, #752	NLA
43	27008-0695-3	1	KEY SET, #753	NLA
43	27008-0695-4	1	KEY SET, #754	NLA
43	27008-0695-5	1	KEY SET, #755	NLA
44	92014-012	1	SCREW, steering lock fitting	NLA

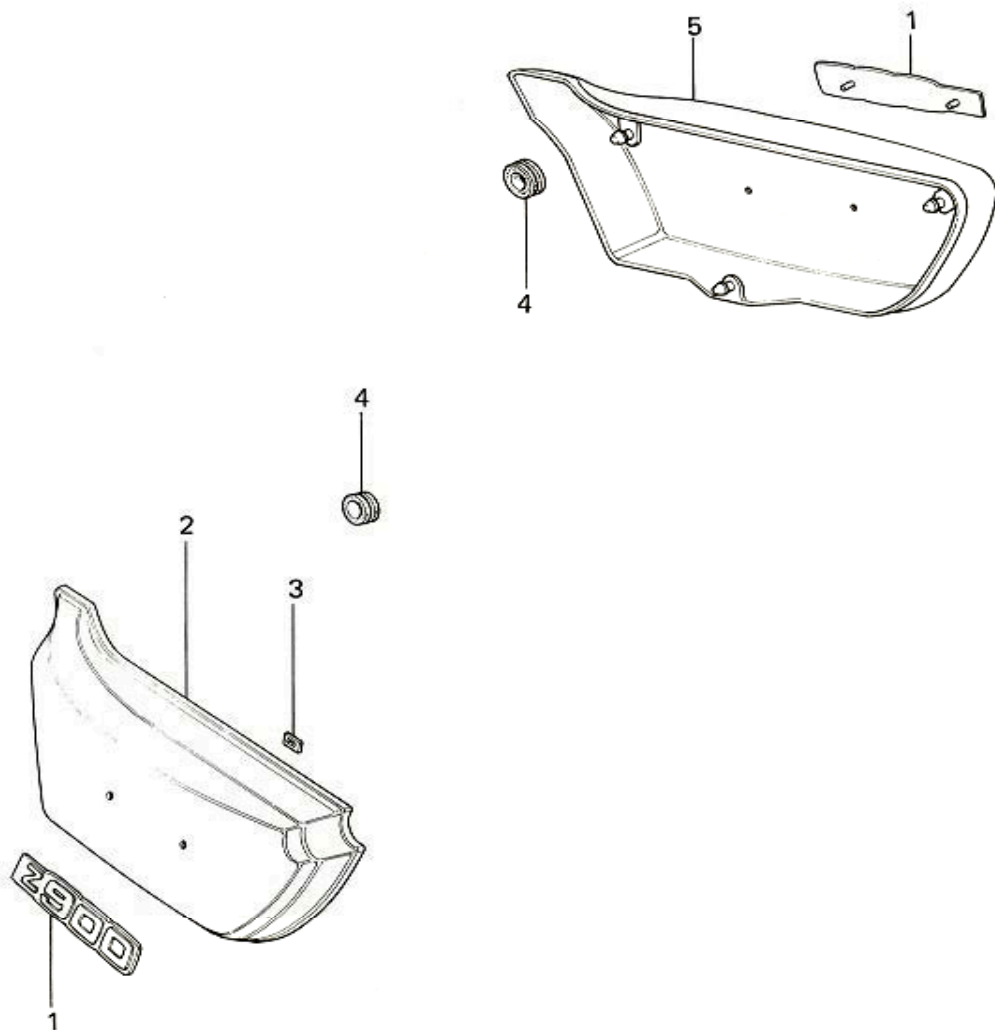
28. Fuel Tank



28. Fuel Tank

No.	Part No.	Q'TY	PART NAME	
1	27008-0695-1	1	KEY SET, #751	NLA
1	27008-0695-2	1	KEY SET, #752	NLA
1	27008-0695-3	1	KEY SET, #753	NLA
1	27008-0695-4	1	KEY SET, #754	NLA
1	27008-0695-5	1	KEY SET, #755	NLA
2	51048-012	1	CAP ASSY, fuel tank	
3	92043-127	1	PIN, hinge	
4	92043-126	1	PIN, hook	
5	51059-008	1	GASKET, fuel tank cap	
6	56014-064	1	EMBLEM, fuel tank RH	
7	92022-044	2	WASHER, plain, 25mm	
8	92075-125	2	RUBBER, fuel tank front	
9	92075-084	2	RUBBER, fuel tank rear	
10	51001-1073-M	1	TANK, fuel, Diamond Dark Green	NLA
10	51001-1073-N	1	TANK, fuel, Diamond Brown	NLA
11	92072-042	1	BAND, fuel tank	
12	51023-055	1	COCK ASSY, fuel	
13	92065-081	1	GASKET, fuel cock joint	
14	51035-009	1	NUT, fuel cock joint	
15	51037-010	1	GASKET, fuel cock cup	
16	670B0-214	1	O-RING, 14mm	
17	56013-057	1	EMBLEM, fuel tank LH	
18	92012-003	4	SCREW, countersunk head 3x6	

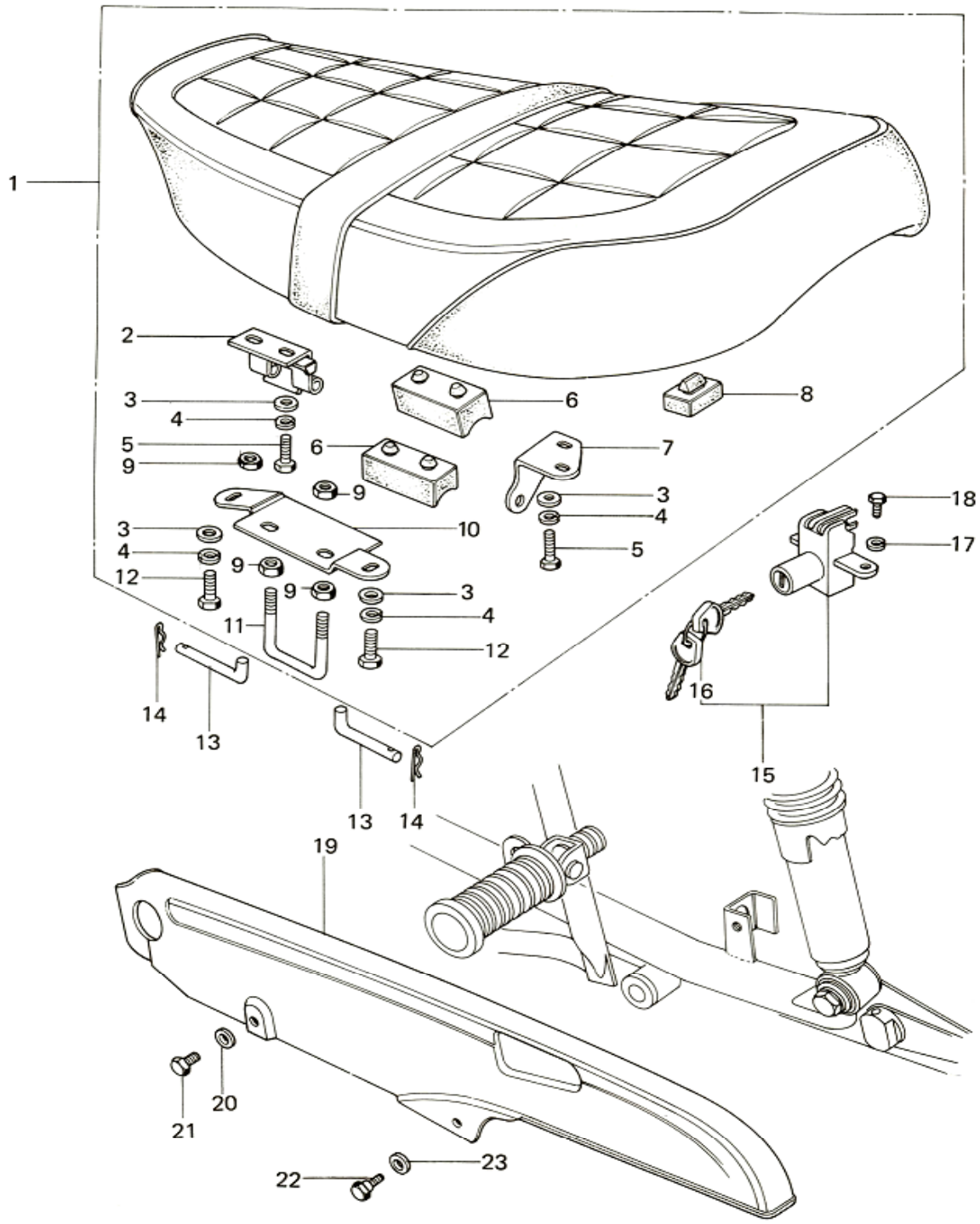
29. Side Covers



29. Side Covers

No.	Part No.	Q'TY	PART NAME	
1	56018-238	2	EMBLEM, side cover	
2	36001-0543-M	1	COVER, LH side, D. Dark Green	NLA
2	36001-0543-N	1	COVER, LH side, Diamond Brown	NLA
3	92018-005	6	NUT, lock, 3mm	
4	92071-056	6	GROMMET, side cover	
5	36007-0302-R	1	COVER, RH side, D. Dark Green	NLA
5	36007-0302-S	1	COVER, RH side, Diamond Brown	NLA

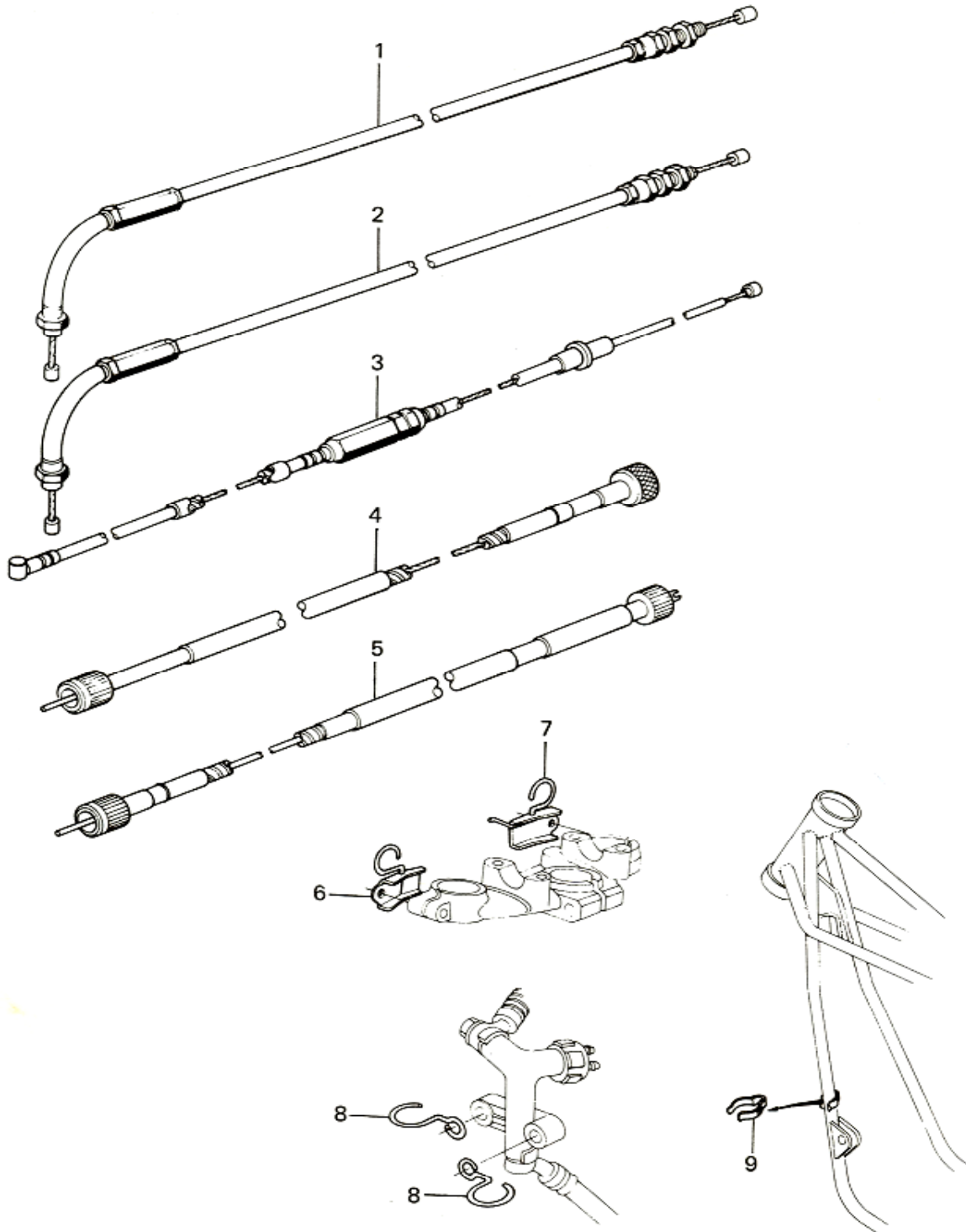
30. Dual Seat, Chain Cover



30. Dual Seat, Chain Cover

No.	Part No.	Q'TY	PART NAME	
1	53001-083	1	SEAT ASSY, dual	
2	53009-037	1	HINGE, front	NLA
3	411B0-600	6	WASHER, plain, 6mm	
4	461F0-600	6	WASHER, spring, 6mm	
5	110B0-616	4	BOLT, hex head, 6x16	
6	92075-139	3	DAMPER RUBBER, seat	
7	53009-017	1	HINGE, rear	NLA
8	92075-099	1	DAMPER RUBBER, seat	
9	310B0-600	4	NUT, 6mm	
10	53058-003	1	BRACKET, seat catch	NLA
11	53056-002	1	CATCH, seat	
12	110B0-614	2	BOLT, hex head, 6x14	
13	53011-008	2	PIN, dual seat pivot	
14	92041-003	2	PIN, cotter	
15	27030-005	1	LOCK ASSY, seat	
16	27008-0695-1	1	KEY SET, #751	NLA
16	27008-0695-2	1	KEY SET, #752	NLA
16	27008-0695-3	1	KEY SET, #753	NLA
16	27008-0695-4	1	KEY SET, #754	NLA
16	27008-0695-5	1	KEY SET, #755	NLA
17	461F0-600	1	WASHER, spring, 6mm	
18	110B0-612	1	BOLT, hex head, 6x12	
19	36014-061	1	COVER, chain	
20	92022-125	1	WASHER, plain, 6mm	
21	110N0-618	1	BOLT, hex head, 6x18	NLA
22	92001-115	1	BOLT, hex head, 6x14	
23	92022-195	1	WASHER, plain, 6mm	

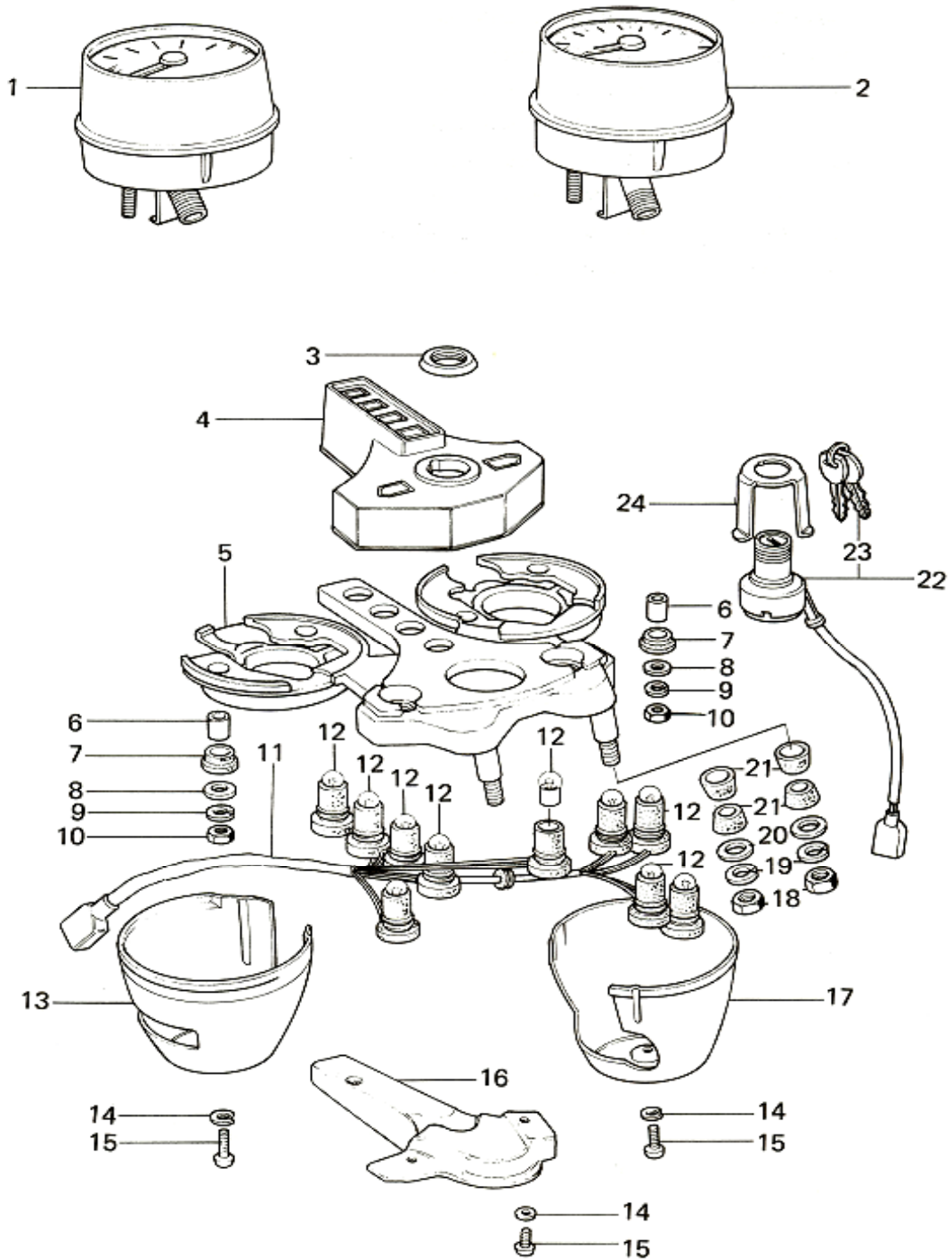
31. Cables



31. Cables

No.	Part No.	Q'TY	PART NAME	
1	54012-087	1	CABLE, throttle opening	NLA
2	54012-081	1	CABLE, throttle closing	
3	54011-048	1	CABLE, clutch	
4	54018-015	1	CABLE, tachometer	
5	54001-040	1	CABLE, speedometer	
5	54001-1005	1	CABLE, speedometer	+ 5cm
6	92037-090	1	CLAMP, cable	NLA
7	92037-104	1	CLAMP, cable	NLA
8	92037-092	2	CLAMP, cable	
9	92037-093	1	CLAMP, cable	

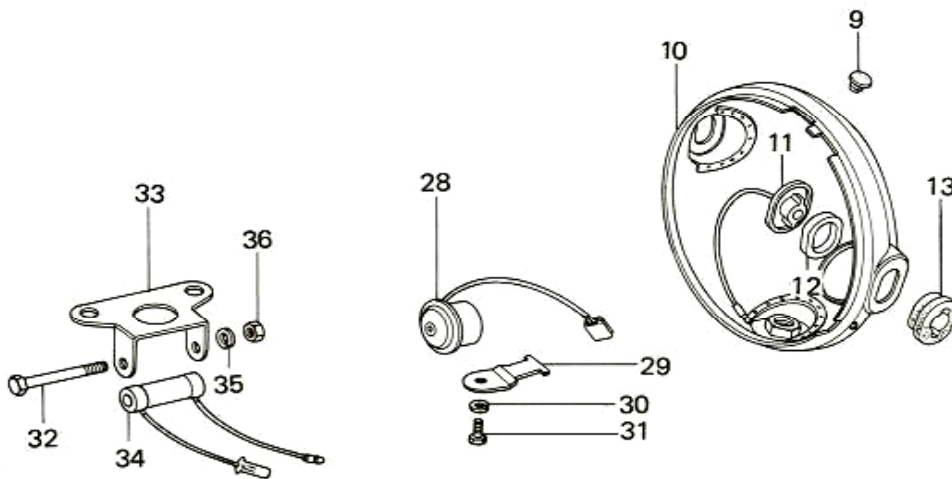
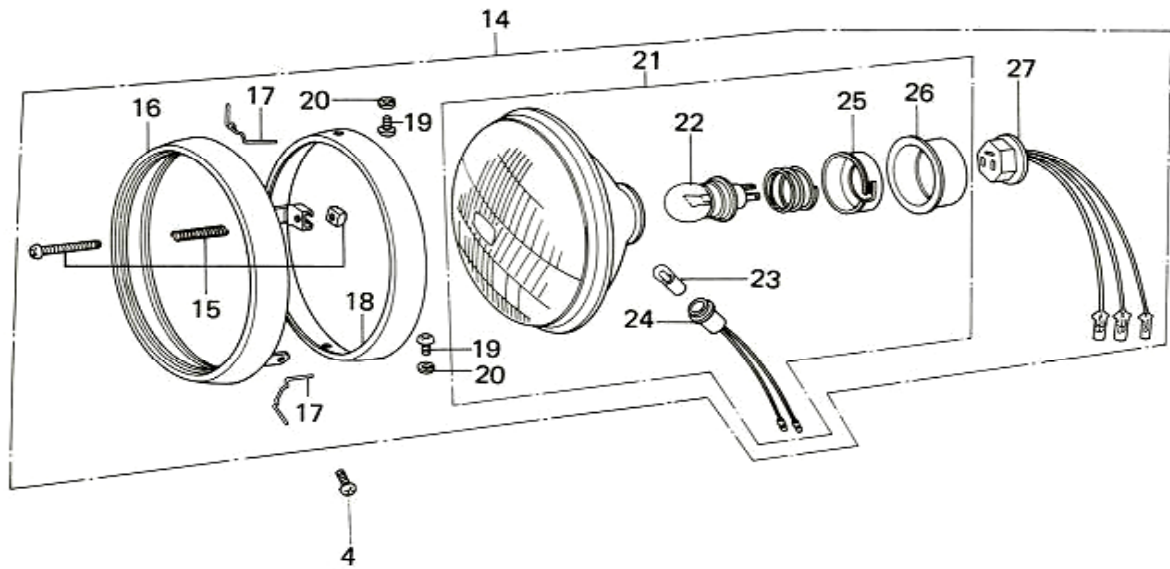
32. Electrical Equipments A



32. Electrical Equipments A

No.	Part No.	Q'TY	PART NAME	
1	25006-056	1	SPEEDOMETER ASSY, KMH	
2	25016-028	1	TACHOMETER ASSY	NLA
3	27007-004	1	NUT, ignition switch lock	NLA
4	25023-015	1	COVER, meter indicator	
5	25008-045	1	BRACKET, meter	
6	92027-174	4	COLLAR, speedometer	
7	92075-172	4	DAMPER RUBBER	
8	92022-241	4	WASHER, plain, 5mm	
9	461F0-500	4	WASHER, spring, 5mm	
10	312B0-500	4	NUT, 5mm	
11	25011-049	1	SOCKET, meter	NLA
12	92069-018	10	BULB, 12V 3.4W	
13	25012-010	1	COVER, speedometer	
14	461F0-300	5	WASHER, spring, 3mm	
15	220B0-308	5	SCREW, pan head, 3x8	
16	25024-006	1	COVER, meter bracket	
17	25012-011	1	COVER, tachometer	
18	310B0-800	2	NUT, 8mm	
19	461F0-800	2	WASHER, spring, 8mm	
20	411B0-800	2	WASHER, plain, 8mm	
21	92075-080	4	DAMPER RUBBER	
22	27005-086	1	SWITCH ASSY, ignition	NLA
23	27008-0695-1	1	KEY SET, #751	NLA
23	27008-0695-2	1	KEY SET, #752	NLA
23	27008-0695-3	1	KEY SET, #753	NLA
23	27008-0695-4	1	KEY SET, #754	NLA
23	27008-0695-5	1	KEY SET, #755	NLA
24	27019-003	1	HOLDER, igniton switch	NLA

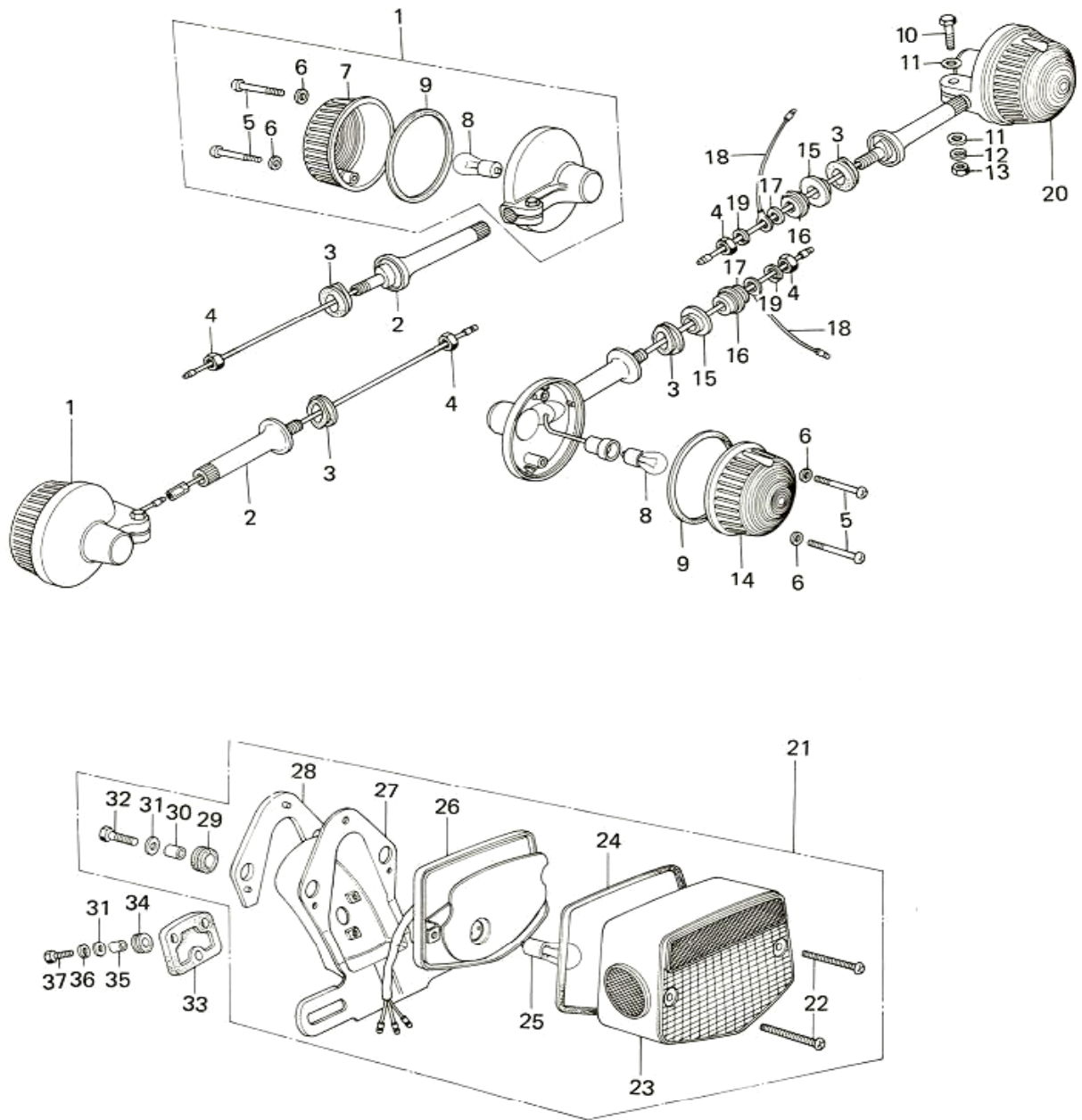
33. Electrical Equipments B



33. Electrical Equipments B

No.	Part No.	Q'TY	PART NAME	
1	-		England	
2	-		England	
3	-		England	
4	23019-022	2	SCREW, pan head, 5x14	
5	-		England	
6	-		England	
7	-		England	
8	-		England	
9	92074-006	1	RUBBER PLUG	
10	23005-0372-1	1	BODY, head lamp, flat black	NLA
11	23076-005	2	COLLAR	
12	23066-016	2	DAMPER RUBBER	
13	23066-015	2	DAMPER RUBBER	
14	23004-058	1	LAMP UNIT, head	NLA
15	23013-004	1	SCREW SET, focus adjust	NLA
16	23006-045	1	RIM, head lamp	NLA
17	23009-016	3	CLAMP, head lamp lens unit	NLA
18	23072-004	1	RETAINER, head lamp	
19	23019-028	2	SCREW, pan head, 5x6	
20	461F0-500	2	WASHER, spring, 5mm	
21	23007-062	1	LENS UNIT, head lamp	NLA
22	92069-080	1	BULB, 12V 45/40W	NLA
23	92069-071	1	BULB, 12V 4W	
24	23008-042	1	SOCKET, parking lamp	NLA
25	23084-001	1	HOLDER, socket	NLA
26	23085-001	1	COVER, socket	NLA
27	23008-044	1	SOCKET, head lamp	
28	27040-002	1	ALARM, turn signal	NLA
29	27023-005	1	BRACKET, turn signal alarm	NLA
30	461F0-800	1	WASHER, spring, 8mm	
31	110B0-816	1	BOLT, hex head, 8x16	
32	110B0-863	1	BOLT, hex head, 8x63	NLA
33	32122-034	1	BRACKET, resister	NLA
34	26019-005	1	RESISTER	
35	461F0-800	1	WASHER, spring, 8mm	
36	321B0-800	1	NUT, 8mm	

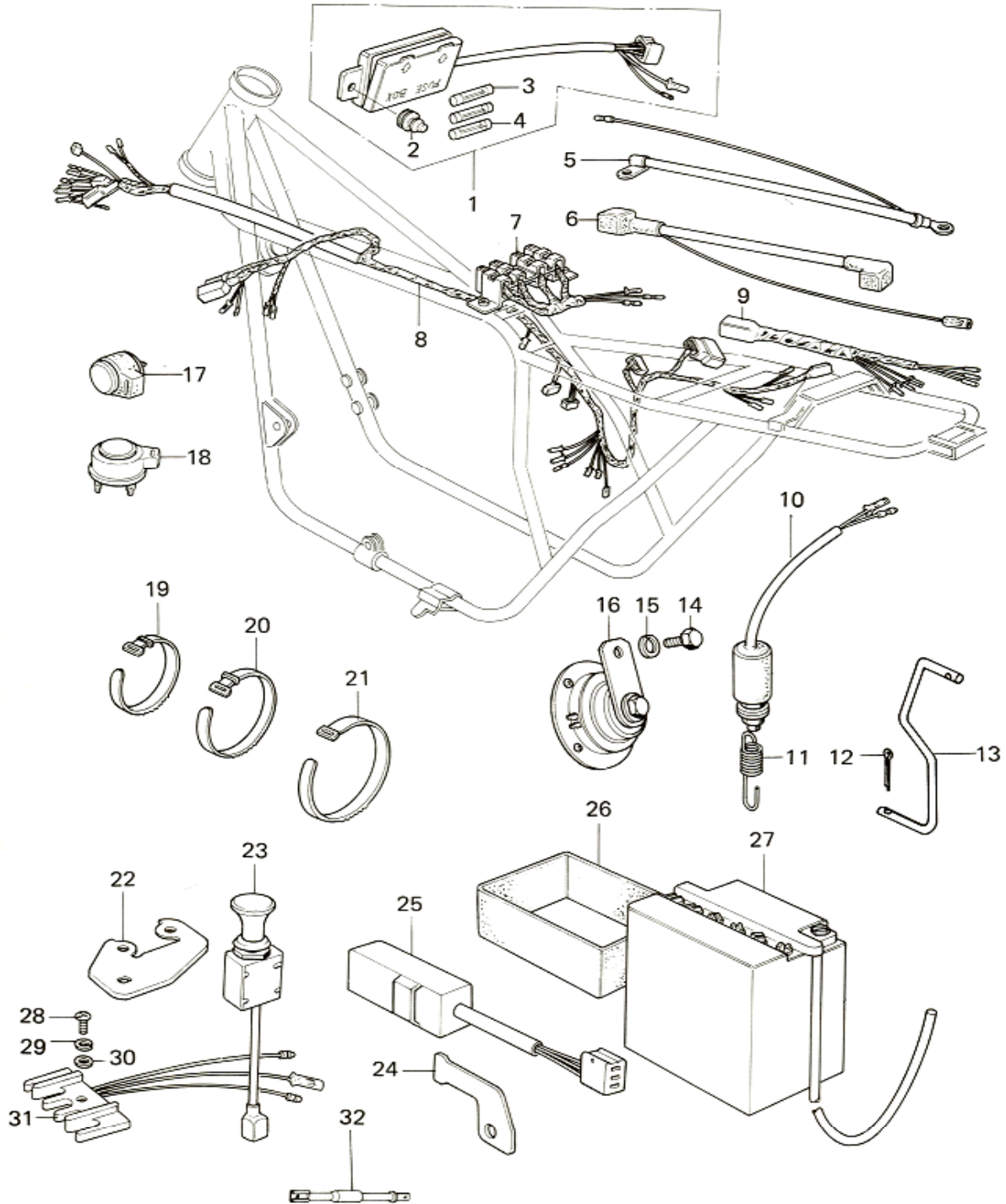
34. Electrical Equipments C



34. Electrical Equipments C

No.	Part No.	Q'TY	PART NAME	
1	23040-047	2	LAMP ASSY, front turn signal	
2	23078-001	4	BRACKET, turn signal lamp	
3	92075-128	4	DAMPER RUBBER, turn signal lamp	
4	315B1-000	4	NUT, 10mm	
5	220E0-435A	8	SCREW, pan head, 4x35	
6	23058-002	8	WASHER, plain, 4mm	
7	23048-012	2	LENS, turn signal lamp, front	
8	92069-076	4	BULB, 12V 21W	NLA
9	23050-002	4	GASKET, turn signal lamp lens	
10	110N0-630	4	BOLT, hex head, 6x30	
11	411B0-600	8	WASHER, plain, 6mm	
12	461F0-600	4	WASHER, spring, 6mm	
13	310B0-600	4	NUT, 6mm	
14	23048-015	2	LENS, turn signal lamp, rear	
15	92075-158	2	DAMPER RUBBER, turn signal lamp	
16	92027-147	2	COLLAR	
17	92022-239	2	WASHER, plain	
18	26011-095	2	WIRE, signal lamp ground lead	
19	461F1-000	2	WASHER, spring, 10mm	
20	23040-048	2	LAMP ASSY, rear turn signal	NLA
21	23024-078	1	LAMP ASSY, tail	NLA
22	220E0-460A	2	SCREW, pan head, 4x60	NLA
23	23026-035	1	LENS, tail lamp	NLA
24	23028-021	1	GASKET, tail lamp lens	
25	92069-063	1	BULB, 12V 21/5W	
26	23027-042	1	CASE, tail lamp	NLA
27	23036-048	1	BRACKET, license plate	NLA
28	23066-023	1	DAMPER RUBBER, bracket	
29	23066-020	2	DAMPER RUBBER	
30	92027-129	2	COLLAR	
31	92022-125	5	WASHER, plain	
32	110B0-622	2	BOLT, hex head, 6x22	
33	35039-004	1	SHOCK DAMPER, tail lamp	
34	92075-121	3	DAMPER RUBBER	
35	92027-156	3	COLLAR	
36	461F0-600	3	WASHER, spring, 6mm	
37	110B0-625	3	BOLT, hex head, 6x25	

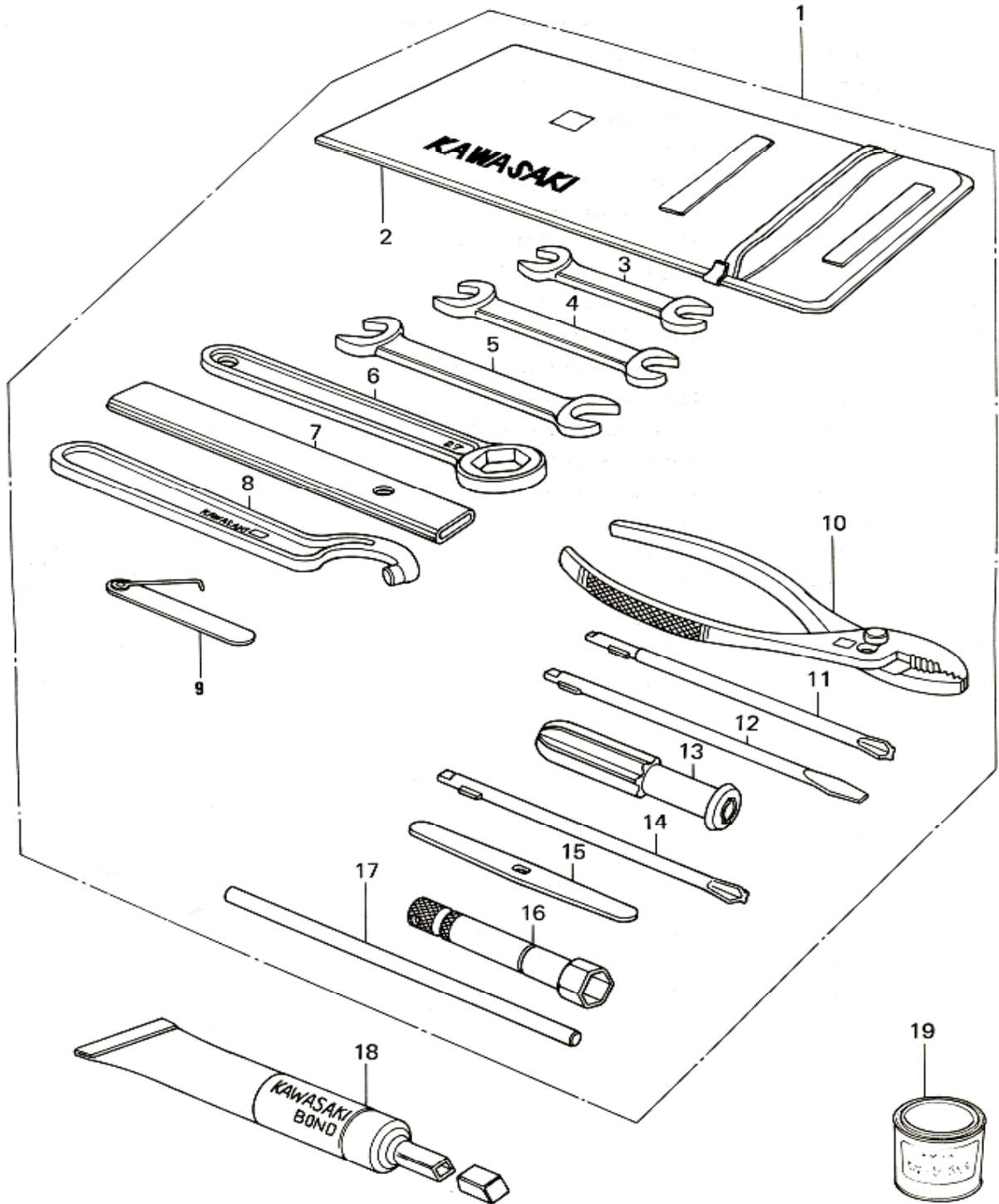
35. Electrical Equipments D



35. Electrical Equipments D

No.	Part No.	Q'TY	PART NAME	
1	26004-035	1	FUSE ASSY	
2	92075-279	1	DAMPER RUBBER	
3	26006-005	2	FUSE 20A	
4	26006-003	3	FUSE 10A	
5	26010-043	1	WIRE, battery ground lead	NLA
6	26010-042	1	WIRE, starter lead	NLA
7	26002-057	1	WIRING HARNESS, center	NLA
8	26001-135	1	WIRING HARNESS, main	NLA
9	26002-031	1	WIRING HARNESS, rear	NLA
10	27010-017	1	SWITCH, brake lamp	NLA
11	27011-009	1	SPRING, brake lamp switch	
12	550D1-610	1	PIN, cotter, 1.6x10	
13	27012-010	1	HOOK, brake lamp switch	
14	110B0-816	1	BOLT, hex head, 8x16	
15	461F0-800	1	WASHER, spring, 8mm	
16	27003-065	1	HORN	NLA
17	27002-011	1	RELAY, turn signal	
18	27002-016	1	RELAY, hazard	
19	92072-030	5	BAND, rubber, small	
20	92072-056	3	BAND, rubber	
21	92072-032	3	BAND, rubber, large	
22	32060-019	1	BRACKET, hazard switch	NLA
23	27014-008	1	SWITCH, hazard	NLA
24	32060-014	1	BRACKET, brake failure indicator	
25	28019-001	1	SWITCH, brake light	NLA
26	32099-015	1	RUBBER BAND, battery	NLA
27	26012-042	1	BATTERY, YB10L-A2 (12V-10AH)	NLA
28	220B0-620	1	SCREW, pan head, 6x20	
29	461F0-600	1	WASHER, spring, 6mm	
30	411B0-600	1	WASHER, plain, 6mm	
31	21066-024	1	REGULATOR, hazard	
32	21066-026	1	REGULATOR	

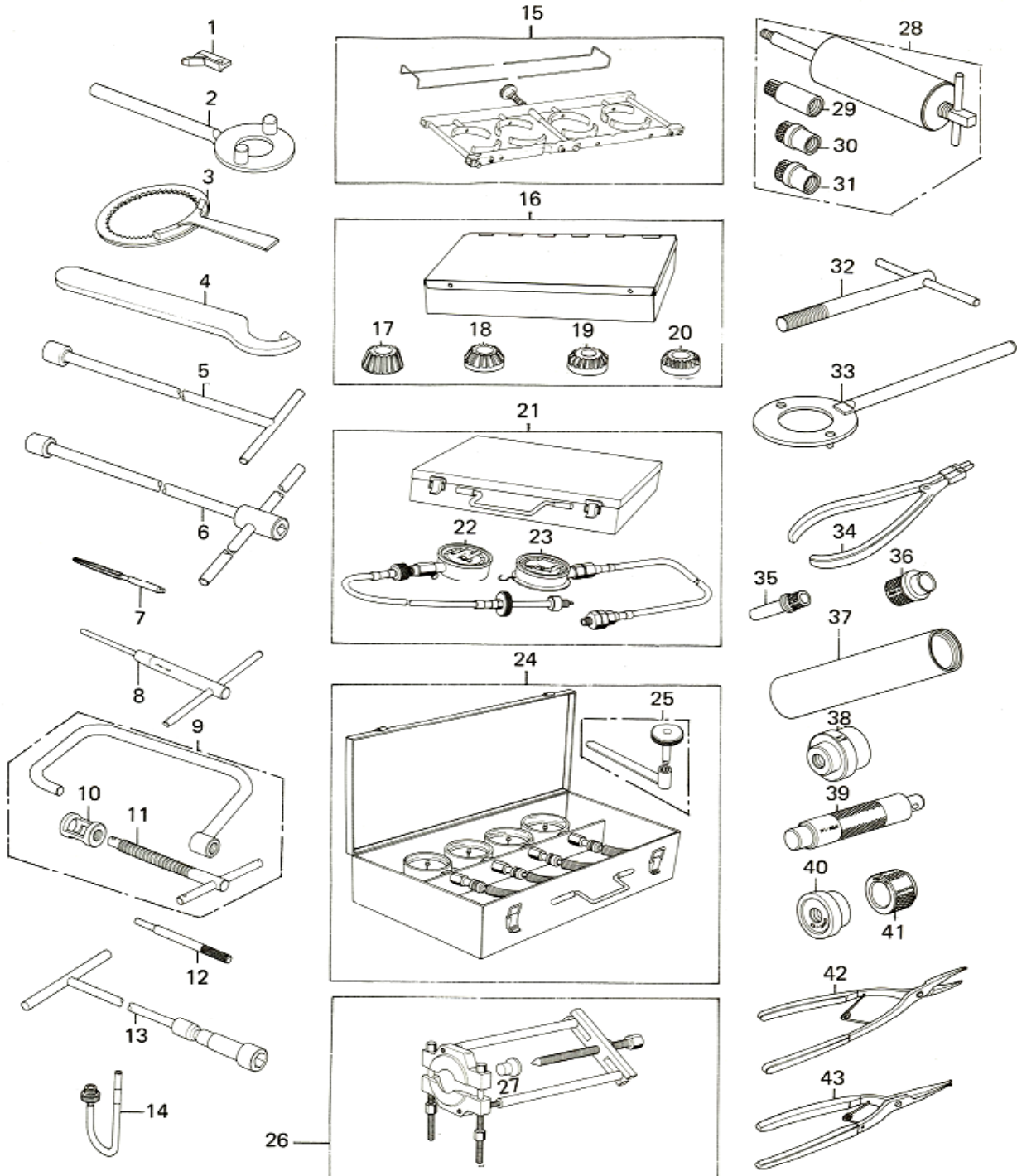
36. Tools



36. Tools

No.	Part No.	Q'TY	PART NAME	
1	56007-049	1	TOOL KIT	NLA
2	56008-006	1	BAG, tool	
3	92126-001	1	WRENCH, open end, 8x10	
4	92126-002	1	WRENCH, open end, 12x13	NLA
5	92110-1153	1	WRENCH, open end, 14x17	
6	92110-1147	1	WRENCH, box, 27mm	
7	92111-1052	1	BAR, wrench	
8	92108-007	1	ADJUSTER, rear shock absorber	NLA
9	92128-001	1	GAUGE, thickness, 0.35mm	NLA
10	92112-003	1	PLIERS, 150mm	
11	92107-006	1	SCREW DRIVER, #2 phillips	
12	92107-007	1	SCREW DRIVER, #3 slot	
13	92106-004	1	GRIP, screw driver	
14	92107-008	1	SCREW DRIVER, #3 phillips	
15	92111-006	1	HANDLE, screw driver	
16	92110-1050	1	WRENCH, spark plug	
17	92111-005	1	BAR, spark plug wrench	
18	92104-002	1	LIQUID GASKET, 100g Tube	
19	56019-1083-M	1	PAINT, Diamond Dark Green 1/12L	NLA
19	56019-1083-N	1	PAINT, Diamond Brown 1/12L	NLA

37. Special Service Tools



37. Special Service Tools

No.	Part No.	Q'TY	PART NAME	
1	57001-113	1	HOLDER, tappet	
2	57001-118	1	HOLDER, engine sprocket	NLA
3	57001-1243	1	HOLDER, clutch hub	
4	57001-134	1	WRENCH, stem nut	
5	57001-142	1	SOCKET, front fork piston	NLA
6	57001-111	1	WRENCH, cylinder head bolt	NLA
7	57001-105	1	REAMER, valve guide	
8	57001-106	1	HOLDER, valve seat cutter	
9	57001-145	1	COMPRESSOR, valve spring	NLA
10	57001-243	1	ADAPTER, valve spring compressor	
11	57001-244	1	BOLT, valve spring compressor	NLA
12	57001-108	1	ARBOR, valve guide	
13	57001-110	1	WRENCH, spark plug	
14	57001-122	1	GAUGE, float level	
15	57001-112	1	COMPRESSOR SET, piston ring	NLA
16	57001-128	1	CUTTER SET, valve seat	NLA
17	57001-101	1	CUTTER, valve seat, 30°	NLA
18	57001-102	1	CUTTER, valve seat, 45°	NLA
19	57001-103	1	CUTTER, valve seat, 60°	NLA
20	57001-104	1	CUTTER, valve seat, 60°	NLA
21	57001-129	1	GAUGE SET, oil & compression	NLA
22	57001-123	1	GAUGE, compression	
23	57001-125	1	GAUGE, oil pressure	
24	57001-127	1	GAUGE, vacuum	NLA
25	57001-120	1	ADJUSTER, throttle valve	
26	57001-135	1	PULLER, stem bearing	
27	57001-136	1	ADAPTER, stem bearing	NLA
28	57001-910	1	PULLER, piston pin	
29	57001-912	1	ADAPTER A, piston pin puller	NLA
30	57001-913	1	ADAPTER B, piston pin puller	
31	57001-914	1	ADAPTER C, piston pin puller	
32	57001-1099	1	PULLER, dynamo rotor	
33	57001-152	1	HOLDER, dynamo rotor	NLA
34	57001-115	1	PLIERS, piston ring	
35	57001-130	1	GUIDE, change shaft oil seal	NLA
36	57001-131	1	GUIDE, kickshaft oil seal	
37	57001-137	1	DRIVER, stem bearing	
38	57001-138	1	DRIVER, stem cup	
39	57001-139	1	HOLDER, bearing driver	NLA
40	57001-140	1	DRIVER, wheel bearing	
41	57001-141	1	DRIVER, fork oil seal	
42	57001-143	1	PLIERS, circlip, inside	
43	57001-144	1	PLIERS, circlip, outside	

No.	Part No.	Picture
10	11002-0162-H	1.
21	11004-066	1.
3	11005-1362-H	3.
5	11009-030	3.
13	11011-054	14.
17	11012-063	14.
11	11012-070	14.
12	11013-054	14.
3	11015-050	14.
4	11015-051	14.
5	11015-053	14.
15	11016-008	14.
3	11022-0052-H	1.
4	11023-006	1.
8	11040-001	14.
10	11040-002	14.
9	11040-003	14.
30	110B0-612	15.
18	110B0-612	30.
32	110B0-614	17.
12	110B0-614	30.
29	110B0-616	15.
5	110B0-616	30.
24	110B0-618	7.
20	110B0-620	4.
30	110B0-620	17.
39	110B0-620	19.
9	110B0-622	20.
32	110B0-622	34.
15	110B0-624	17.
37	110B0-625	34.
20	110B0-632	21.
9	110B0-656	16.
2	110B0-816	21.
31	110B0-816	33.
14	110B0-816	35.
44	110B0-818	17.
32	110B0-863	33.
5	110G0-6125	11.
1	110G0-635	4.
8	110G0-671	11.
39	110G0-836	17.
33	110G0-840	17.
26	110G0-840	18.
50	110G0-859	17.

No.	Part No.	Picture
51	110G0-863	17.
1	110N0-610	16.
21	110N0-618	30.
3	110N0-620	9.
22	110N0-625	25.
10	110N0-630	34.
32	110N0-645	25.
42	113B1-256A	17.
47	113B1-271A	17.
24	113N1-035	18.
8	114B1-025	10.
20	114G0-840	16.
16	116B0-614	10.
21	116B0-616	17.
26	116B0-616	21.
6	116B0-625	21.
27	116B0-825	24.
15	12004-012	2.
14	12005-005	2.
19	12006-010	1.
20	12006-011	1.
11	12007-011	2.
10	12007-012	2.
9	12009-005	2.
13	12010-004	2.
8	12011-002	2.
7	12032-005	2.
6	12037-001	2.
6	12037-002	2.
6	12037-003	2.
6	12037-004	2.
6	12037-005	2.
6	12037-006	2.
6	12037-007	2.
6	12037-008	2.
6	12037-009	2.
6	12037-010	2.
6	12037-011	2.
6	12037-012	2.
6	12037-013	2.
6	12037-014	2.
6	12037-015	2.
6	12037-016	2.
6	12037-017	2.
6	12037-018	2.

No.	Part No.	Picture
6	12037-019	2.
6	12037-020	2.
6	12037-021	2.
6	12037-022	2.
6	12037-023	2.
6	12037-024	2.
6	12037-025	2.
4	12044-004	2.
1	12044-005	2.
5	12046-001	2.
2	12046-002	2.
18	12047-003	4.
15	12048-001	4.
13	12052-003	4.
11	12053-019	4.
16	12054-001	4.
14	12055-002	4.
17	12056-001	4.
3	12057-001	4.
8	12057-002	4.
9	12057-005	4.
33	120Q0-635	16.
9	13001-054	3.
18	13002-007	16.
10	13002-022	3.
8	13008-038	3.
8	13024-046	3.
8	13025-046	3.
9	13027-056	3.
9	13029-058	3.
12	13031-043	3.
14	13034-030	1.
2	13058-044	10.
7	13061-017	10.
1	13063-004	10.
11	13066-029	10.
15	13068-028	10.
10	13070-005	10.
18	13072-012	10.
19	13078-006	10.
14	13081-045	7.
16	13087-031	7.
17	13088-030	7.
18	13089-022	7.
23	13091-011	7.

No.	Part No.	Picture
15	13095-036	7.
7	13102-013	7.
10	13116-021	7.
20	13116-022	7.
3	13118-007	7.
12	13127-042	8.
48	13128-037	8.
51	13129-046	8.
6	13130-032	8.
42	13131-038	8.
10	13132-030	8.
46	13133-031	8.
11	13134-016	8.
50	13135-020	8.
7	13136-042	8.
45	13137-025	8.
28	13140-045	8.
23	13140-046	8.
20	13142-013	8.
36	13144-062	8.
16	13151-022	8.
2	13157-004	9.
8	13161-029	9.
6	13168-024	9.
21	13187-006	7.
29	13194-003	16.
27	13209-011	8.
9	13223-006	1.
17	13239-010	8.
1	13242-006	9.
19	14001-0522-J	5.
21	14013-001	5.
19	14024-007	11.
14	14024-008	11.
9	14026-012	11.
12	14026-026	11.
25	14027-015	11.
3	14031-053	11.
32	14032-0752-H	11.
27	14032-082	11.
23	14032-083	11.
4	14045-014	11.
10	14045-015	11.
21	14046-023	11.
26	14046-024	11.

No.	Part No.	Picture
31	14046-025	11.
24	14050-006	11.
20	14058-004	11.
14	14068-007	5.
10	14070-003	5.
1	16001-255	12.
2	16001-268	12.
3	16001-269	12.
4	16001-270	12.
5	16001-271	12.
23	16003-013	12.
21	16005-027	12.
14	16007-018	12.
15	16008-004	12.
16	16009-071	12.
38	16012-015	12.
40	16013-008	12.
32	16014-017	12.
41	16016-017	12.
45	16017-093	12.
50	16019-030	12.
22	16019-031	12.
69	16021-020	12.
77	16021-028	12.
34	16022-007	12.
76	16022-009	12.
68	16022-010	12.
17	16025-075	12.
42	16029-004	12.
43	16030-027	12.
48	16031-031	12.
49	16032-003	12.
20	16033-009	12.
19	16033-013	12.
12	16033-015	12.
62	16033-016	12.
71	16033-016	12.
81	16033-029	12.
52	16038-016	12.
33	16038-022	12.
37	16039-015	12.
56	16039-019	12.
55	16039-020	12.
18	16039-042	12.
8	16040-004	12.

No.	Part No.	Picture
54	16040-009	12.
72	16040-020	12.
26	16040-021	12.
66	16040-022	12.
57	16041-016	12.
61	16041-017	12.
7	16042-009	12.
80	16046-002	12.
53	16046-005	12.
58	16046-007	12.
24	16046-009	12.
46	16047-004	12.
51	16049-005	12.
11	16052-003	12.
10	16054-003	12.
29	16054-008	12.
64	16055-012	12.
6	16057-002	12.
27	16065-028	1.
25	16065-029	1.
67	16065-039	12.
60	16065-040	12.
27	16067-006	12.
9	16067-008	12.
25	16067-009	12.
73	16068-011	12.
31	16068-012	12.
30	16068-013	12.
59	16068-014	12.
36	16073-014	12.
35	16076-003	12.
70	16077-012	12.
74	16077-013	12.
65	16077-014	12.
25	16082-059	13.
23	16085-019	13.
5	16099-002	13.
2	16109-003	5.
10	16110-003	13.
30	16111-004	13.
9	16112-002	13.
16	16115-013	5.
5	16144-004	5.
28	16145-002	13.
14	16146-001	13.

No.	Part No.	Picture
37	172G0-835	27.
32	18001-203	14.
27	18001-204	14.
25	18001-205	14.
24	18001-206	14.
23	18067-018	14.
21	18069-045	14.
26	18069-046	14.
22	21007-032	16.
10	21008-027	15.
7	21008-028	15.
11	21013-035	15.
17	21015-005	16.
10	21017-017	16.
9	21019-018	15.
13	21021-004	15.
12	21027-003	16.
15	21027-004	16.
12	21029-037	15.
13	21039-003	16.
14	21040-003	16.
25	21061-024	15.
31	21066-024	35.
24	21066-025	15.
32	21066-026	35.
6	21070-003	4.
31	21076-023	16.
20	21121-081	15.
21	21121-082	15.
2	21126-007	1.
5	21126-007	6.
16	21126-007	15.
22	21130-023*	15.
3	21135-011	15.
15	21148-010	15.
8	21156-010	15.
8	21163-004	16.
23	21164-001	15.
3	21165-001	16.
4	21166-001	16.
19	21167-002	16.
6	21167-003	16.
18	220B0-305A	20.
15	220B0-308	32.
4	220B0-408	15.

No.	Part No.	Picture
36	220B0-408	27.
6	220B0-416	14.
31	220B0-508	13.
17	220B0-512	15.
21	220B0-520	20.
24	220B0-525	1.
22	220B0-530	20.
1	220B0-535	14.
16	220B0-550A	14.
10	220B0-610	4.
5	220B0-612	1.
13	220B0-612	11.
2	220B0-612	26.
18	220B0-614	8.
5	220B0-616	7.
7	220B0-616	11.
29	220B0-616	14.
11	220B0-616	17.
33	220B0-616	21.
22	220B0-618	1.
12	220B0-618	5.
26	220B0-618	13.
28	220B0-620	35.
16	220B0-622	11.
28	220B0-625	11.
15	220B0-628	11.
27	220B0-628	13.
1	220B0-630	11.
2	220B0-640	11.
5	220E0-435A	34.
22	220E0-460A	34.
16	221B0-308A	20.
14	23004-058	33.
10	23005-0372-1	33.
16	23006-045	33.
21	23007-062	33.
24	23008-042	33.
27	23008-044	33.
17	23009-016	33.
15	23013-004	33.
4	23019-022	33.
19	23019-028	33.
21	23024-078	34.
23	23026-035	34.
26	23027-042	34.

No.	Part No.	Picture
24	23028-021	34.
27	23036-048	34.
1	23040-047	34.
20	23040-048	34.
7	23048-012	34.
14	23048-015	34.
9	23050-002	34.
6	23058-002	34.
13	23066-015	33.
12	23066-016	33.
29	23066-020	34.
28	23066-023	34.
18	23072-004	33.
11	23076-005	33.
2	23078-001	34.
25	23084-001	33.
26	23085-001	33.
1	25006-056	32.
5	25008-045	32.
11	25011-049	32.
13	25012-010	32.
17	25012-011	32.
2	25016-028	32.
4	25023-015	32.
16	25024-006	32.
8	26001-135	35.
9	26002-031	35.
7	26002-057	35.
1	26004-035	35.
4	26006-003	35.
3	26006-005	35.
6	26010-042	35.
5	26010-043	35.
11	26010-048	16.
18	26011-095	34.
27	26012-042	35.
34	26019-005	33.
17	27002-011	35.
18	27002-016	35.
16	27003-065	35.
22	27005-086	32.
3	27007-004	32.
43	27008-0695-1	27.
1	27008-0695-1	28.
16	27008-0695-1	30.

No.	Part No.	Picture
23	27008-0695-1	32.
43	27008-0695-2	27.
1	27008-0695-2	28.
16	27008-0695-2	30.
23	27008-0695-2	32.
43	27008-0695-3	27.
1	27008-0695-3	28.
16	27008-0695-3	30.
23	27008-0695-3	32.
43	27008-0695-4	27.
1	27008-0695-4	28.
16	27008-0695-4	30.
23	27008-0695-4	32.
43	27008-0695-5	27.
1	27008-0695-5	28.
16	27008-0695-5	30.
23	27008-0695-5	32.
10	27010-017	35.
11	27011-009	35.
13	27012-010	35.
23	27014-008	35.
42	27016-048	27.
24	27019-003	32.
29	27023-005	33.
15	27030-005	30.
28	27040-002	33.
36	28012-015	21.
35	28013-010	21.
25	28019-001	35.
38	310B0-500	21.
32	310B0-600	15.
40	310B0-600	19.
40	310B0-600	21.
9	310B0-600	30.
13	310B0-600	34.
18	310B0-800	32.
21	311B0-600	4.
53	311B0-800	17.
15	311B0-800	25.
10	312B0-500	32.
13	312B0-600	25.
10	312B0-800	9.
20	313B1-000	18.
1	315B0-800	7.
30	315B1-000	18.

No.	Part No.	Picture
13	315B1-000	19.
20	315B1-000	19.
4	315B1-000	26.
4	315B1-000	34.
21	315B1-200	19.
3	32002-149	17.
52	32030-025	17.
45	32030-026	17.
41	32030-055	17.
40	32030-056	17.
24	32060-014	35.
22	32060-019	35.
19	32097-039	17.
31	32098-024	17.
26	32099-015	35.
4	32099-018	21.
13	32100-020	17.
20	32105-006	17.
22	32113-003	17.
33	32122-034	33.
26	32129-006	17.
36	321B0-800	33.
6	33001-046	18.
18	33028-011	19.
16	33032-036	18.
5	33033-009	18.
4	33034-009	18.
2	33035-007	18.
15	33036-005	18.
29	33040-066	18.
28	33044-001	18.
11	33122-010	21.
4	34003-036	19.
41	34003-037	19.
23	34011-029	19.
22	34019-014	19.
26	34023-012	19.
12	34024-060	19.
10	34025-005	19.
1	34028-011	19.
42	34028-012	19.
1	35003-015	21.
19	35022-071	21.
31	35022-123	21.
29	35026-006	21.

No.	Part No.	Picture
33	35039-004	34.
2	36001-0543-M	29.
2	36001-0543-N	29.
5	36007-0302-R	29.
5	36007-0302-S	29.
19	36014-061	30.
4	41023-015	22.
9	41023-017	22.
10	41024-008	22.
11	41025-049	22.
5	41025-085	22.
18	41027-057	22.
16	41027-085	22.
19	41028-057	22.
10	41034-040	23.
15	41039-028	23.
13	41042-014	23.
18	41042-015	23.
23	41045-006	24.
21	41048-016	24.
22	41049-007	24.
24	41050-017	24.
25	41051-003	24.
17	41057-084	22.
7	41059-026	23.
5	41060-017	23.
6	41062-005	23.
4	41063-001	23.
9	41064-013	23.
20	41068-049	23.
19	41069-032	23.
1	41069-033	23.
1	41074-047	22.
13	41075-001	22.
14	41075-002	22.
15	41075-003	22.
12	41075-004	22.
2	41078-008	23.
21	41080-007	26.
3	41082-001	23.
26	41085-004	24.
7	410B0-400	14.
6	410B0-400	15.
19	410B0-600	4.
6	410B0-600	6.

No.	Part No.	Picture
6	410B0-600	11.
31	410B0-600	15.
8	410B0-600	20.
24	410B0-800	17.
8	410B0-800	27.
20	410B1-000	26.
10	410B1-200	18.
2	410D0-600	16.
19	411B0-500	15.
4	411B0-600	7.
28	411B0-600	21.
34	411B0-600	21.
21	411B0-600	25.
30	411B0-600	25.
3	411B0-600	30.
11	411B0-600	34.
30	411B0-600	35.
20	411B0-800	32.
18	411B1-000	18.
27	416F0-600	21.
27	416F0-800	18.
14	42005-030	24.
19	42006-062	24.
6	42008-013	24.
17	42010-021	24.
15	42014-021	24.
28	42029-033	24.
30	42031-034	24.
29	42032-037	24.
12	42036-015	24.
9	42037-023	24.
4	42041-161	24.
7	42045-005	24.
2	42045-018	24.
6	42048-023	22.
28	43001-044	19.
27	43005-021	19.
22	43007-032	18.
32	43011-017	19.
33	43012-002	19.
1	43015-025	25.
10	43017-002	25.
9	43018-002	25.
8	43019-002	25.
6	43022-001	25.

No.	Part No.	Picture
4	43024-001	25.
3	43025-001	25.
17	43026-003	25.
18	43027-001	25.
19	43028-003	25.
11	43029-003	25.
16	43030-003	25.
14	43031-001	25.
12	43033-004	25.
20	43034-001	25.
6	43040-004	26.
1	43041-018	26.
22	43041-019	26.
5	43042-008	26.
11	43044-008	26.
23	43044-009	26.
17	43045-006	26.
14	43048-006	26.
15	43049-002	26.
12	43050-006	26.
7	43051-007	26.
9	43052-005	26.
10	43053-006	26.
13	43054-003	26.
24	43059-007	25.
33	43059-011	25.
34	43060-023	25.
37	43060-024	25.
35	43063-001	25.
38	43063-003	25.
36	43064-001	25.
28	43065-001	25.
25	43066-001	25.
23	43067-001	25.
26	43069-001	25.
7	43072-002	25.
2	43073-005	25.
29	43075-002	25.
16	43085-001	26.
8	43088-002	26.
1	44001-175	27.
33	44005-063	27.
34	44006-061	27.
32	44009-024	27.
29	44010-032	27.

No.	Part No.	Picture
25	44013-037	27.
27	44018-009	27.
26	44022-027	27.
24	44026-071	27.
17	44028-039	27.
18	44029-019	27.
19	44033-072	27.
20	44034-072	27.
14	44037-098	27.
6	44039-073	27.
40	44041-040	27.
7	44041-042	27.
4	44041-045	27.
31	44043-044	27.
30	44044-015	27.
28	44044-019	27.
35	44045-002	27.
39	44045-034	27.
23	44045-038	27.
3	44046-015	27.
2	44062-003	27.
38	44063-014	27.
10	44064-005	27.
22	44064-008	27.
21	44064-025	27.
11	45014-107	18.
13	45016-003	18.
14	45017-011	18.
12	45017-018	18.
13	46003-029	20.
12	46012-008	20.
24	46018-038	20.
28	46028-003	20.
20	46028-006	20.
26	46031-005	20.
25	46043-004	20.
19	46043-005	20.
17	46043-013	20.
5	46055-003	20.
4	46056-005	20.
14	46075-028	20.
1	46076-049	20.
27	46079-003	20.
15	46091-034	20.
2	46092-022	20.

No.	Part No.	Picture
6	46094-017	20.
6	46098-010	17.
8	46100-003	17.
23	46132-024	20.
14	461F0-300	32.
13	461F0-400	12.
5	461F0-400	15.
28	461F0-500	12.
63	461F0-500	12.
18	461F0-500	15.
37	461F0-500	21.
9	461F0-500	32.
20	461F0-500	33.
28	461F0-600	15.
16	461F0-600	16.
12	461F0-600	17.
7	461F0-600	21.
39	461F0-600	21.
31	461F0-600	25.
3	461F0-600	26.
4	461F0-600	30.
17	461F0-600	30.
12	461F0-600	34.
36	461F0-600	34.
29	461F0-600	35.
34	461F0-800	17.
37	461F0-800	19.
11	461F0-800	20.
3	461F0-800	21.
5	461F0-800	27.
19	461F0-800	32.
30	461F0-800	33.
35	461F0-800	33.
15	461F0-800	35.
36	461F1-000	17.
19	461F1-000	18.
25	461F1-000	18.
19	461F1-000	26.
19	461F1-000	34.
43	461F1-200	17.
9	461F1-200	18.
15	461F1-200	27.
19	464G0-600	8.
75	464H0-500	12.
26	480J1-200	8.

No.	Part No.	Picture
22	480J1-900	10.
9	480J2-800	8.
44	480J3-000	8.
5	481J1-800	25.
16	481J4-000	23.
3	482J0-100	10.
21	482K7-000	13.
10	51001-1073-M	28.
10	51001-1073-N	28.
12	51023-055	28.
14	51035-009	28.
15	51037-010	28.
2	51048-012	28.
5	51059-008	28.
29	52015-004	11.
1	53001-083	30.
7	53009-017	30.
2	53009-037	30.
13	53011-008	30.
18	53043-0133-M	21.
18	53043-0133-N	21.
11	53056-002	30.
10	53058-003	30.
5	54001-040	31.
5	54001-1005	31.
3	54011-048	31.
2	54012-081	31.
1	54012-087	31.
4	54018-015	31.
12	550D1-610	35.
6	550D1-615	7.
17	550D2-012	19.
5	550D2-516	19.
20	550D3-025	24.
1	550D4-035	24.
22	551A0-314	13.
14	551A0-408	15.
23	551A0-622	16.
2	552A1-014	3.
18	552A1-014	5.
29	56002-027	20.
1	56007-049	36.
2	56008-006	36.
17	56013-057	28.
6	56014-064	28.

No.	Part No.	Picture
1	56018-238	29.
19	56019-1083-M	36.
19	56019-1083-N	36.
14	56027-411	21.
15	56027-412	21.
16	56027-419	21.
17	56027-420	21.
17	57001-101	37.
18	57001-102	37.
19	57001-103	37.
20	57001-104	37.
7	57001-105	37.
8	57001-106	37.
12	57001-108	37.
32	57001-1099	37.
13	57001-110	37.
6	57001-111	37.
15	57001-112	37.
1	57001-113	37.
34	57001-115	37.
2	57001-118	37.
25	57001-120	37.
14	57001-122	37.
22	57001-123	37.
3	57001-1243	37.
23	57001-125	37.
24	57001-127	37.
16	57001-128	37.
21	57001-129	37.
35	57001-130	37.
36	57001-131	37.
4	57001-134	37.
26	57001-135	37.
27	57001-136	37.
37	57001-137	37.
38	57001-138	37.
39	57001-139	37.
40	57001-140	37.
41	57001-141	37.
5	57001-142	37.
42	57001-143	37.
43	57001-144	37.
9	57001-145	37.
33	57001-152	37.
10	57001-243	37.

No.	Part No.	Picture
11	57001-244	37.
28	57001-910	37.
29	57001-912	37.
30	57001-913	37.
31	57001-914	37.
49	600A0-600	8.
5	600A0-800	10.
1	600A0-800	17.
19	600A1-200	7.
4	600A1-200	13.
14	601B6-203	23.
11	601B6-206	24.
16	601B6-304	24.
18	601B6-304Z	24.
15	610A0-614	5.
17	654A2-5400-8	23.
8	654A3-0420-8	23.
16	670B0-214	28.
8	670B1-507	7.
15	670B1-508	13.
39	670B1-509	12.
8	670B1-510	1.
4	670B2-015	5.
9	670B2-016	5.
3	670B2-018	5.
18	670B2-022	13.
13	671B2-5105	13.
3	671B2-530	18.
5	92001-012	9.
32	92001-112	8.
1	92001-113	15.
23	92001-115	17.
22	92001-115	30.
33	92001-119	8.
31	92001-143	18.
1	92001-153	5.
11	92001-158	23.
34	92001-163	13.
33	92001-164	13.
35	92001-165	13.
16	92003-064	27.
11	92003-079	19.
13	92003-087	24.
1	92003-092	1.
22	92003-093	4.

No.	Part No.	Picture
1	92003-095	13.
8	92003-098	5.
49	92003-099	17.
17	92003-103	18.
30	92003-104	16.
10	92003-106	6.
23	92003-107	5.
11	92003-107	6.
12	92003-108	6.
4	92003-109	6.
7	92003-110	6.
8	92003-111	6.
13	92003-112	6.
9	92003-113	6.
14	92003-114	6.
3	92003-141	2.
23	92003-147	18.
12	92003-159	13.
11	92003-178	13.
20	92003-179	13.
34	92003-180	14.
17	92003-193	13.
3	92004-045	6.
1	92004-046	6.
2	92004-047	6.
8	92004-048	19.
12	92004-049	1.
7	92005-002	18.
10	92007-002	20.
10	92007-031	17.
18	92007-032	26.
3	92007-047	20.
18	92012-003	28.
44	92014-012	27.
2	92014-014	7.
35	92015-056	19.
16	92015-076	1.
34	92016-028	8.
25	92016-044	19.
46	92016-045	17.
20	92017-014	14.
26	92017-014	15.
29	92017-014	19.
7	92017-014	20.
3	92018-005	29.

No.	Part No.	Picture
6	92019-013	19.
38	92019-013	19.
15	92019-015	8.
28	92019-021	14.
35	92019-021	17.
1	92019-022	18.
41	92019-022	27.
9	92020-007	27.
8	92020-014	18.
7	92022-044	28.
24	92022-080	13.
4	92022-085	10.
27	92022-125	15.
16	92022-125	17.
20	92022-125	30.
31	92022-125	34.
36	92022-195	19.
23	92022-195	30.
16	92022-199	19.
14	92022-207	10.
47	92022-209	8.
41	92022-210	8.
5	92022-211	8.
4	92022-212	8.
5	92022-213	8.
17	92022-215	1.
21	92022-218	16.
6	92022-220	13.
25	92022-227	21.
8	92022-228	21.
21	92022-228	21.
9	92022-230	17.
12	92022-231	27.
17	92022-239	34.
8	92022-241	32.
2	92022-244	15.
3	92022-248	24.
3	92022-250	19.
17	92024-036	10.
8	92024-042	8.
43	92024-043	8.
35	92024-044	8.
29	92024-047	8.
2	92024-048	13.
11	92026-022	7.

No.	Part No.	Picture
25	92026-082	16.
5	92026-091	16.
24	92026-092	16.
5	92026-108	24.
18	92027-129	17.
30	92027-129	34.
16	92027-147	34.
38	92027-152	8.
2	92027-155	4.
35	92027-156	34.
38	92027-159	17.
37	92027-160	17.
9	92027-162	21.
23	92027-162	21.
28	92027-165	17.
22	92027-170	14.
6	92027-174	32.
30	92027-177	19.
1	92028-122	8.
52	92028-123	8.
13	92028-126	10.
12	92028-135	7.
25	92031-001	8.
2	92033-025	8.
12	92033-025	10.
11	92036-021	3.
18	92036-023	1.
27	92037-023	25.
19	92037-028	14.
2	92037-061	14.
78	92037-072	12.
6	92037-090	31.
8	92037-092	31.
9	92037-093	31.
31	92037-103	14.
7	92037-104	31.
14	92037-106	14.
82	92037-173	12.
84	92037-174	12.
13	92038-001	3.
14	92041-003	30.
21	92041-005	18.
13	92042-007	1.
20	92042-007	5.
21	92042-014	8.

No.	Part No.	Picture
22	92042-016	5.
22	92042-020	8.
4	92042-028	3.
32	92042-038	13.
24	92043-016	8.
9	92043-057	9.
34	92043-065	19.
19	92043-079	19.
2	92043-080	19.
30	92043-085	8.
28	92043-087	16.
31	92043-095	19.
37	92043-109	8.
4	92043-126	28.
3	92043-127	28.
40	92045-021	8.
13	92045-022	8.
13	92046-028	7.
3	92046-031	8.
32	92046-033	16.
5	92047-011	17.
11	92047-012	27.
4	92048-006	17.
2	92048-008	17.
30	92049-001	11.
11	92049-004	11.
12	92049-016	2.
17	92050-024	11.
10	92050-027	24.
22	92050-047	11.
18	92050-048	11.
6	92050-050	1.
39	92055-035	8.
15	92055-048	6.
29	92055-048	13.
17	92055-049	5.
11	92055-052	5.
8	92055-052	13.
7	92055-054	3.
6	92055-055	5.
1	92055-062	3.
13	92056-003	27.
31	92057-096	24.
79	92059-084	12.
13	92059-118	5.

No.	Part No.	Picture
30	92059-120	14.
18	92059-124	14.
83	92059-134	12.
85	92059-135	12.
47	92063-074	12.
47	92063-075	12.
47	92063-076	12.
47	92063-077	12.
47	92063-078	12.
44	92064-042	12.
13	92065-081	28.
15	92066-017	1.
7	92066-021	5.
16	92066-024	13.
19	92066-026	13.
26	92068-006	1.
12	92069-018	32.
25	92069-063	34.
23	92069-071	33.
8	92069-076	34.
22	92069-080	33.
11	92070-037	1.
32	92071-019	21.
4	92071-056	29.
19	92072-030	35.
21	92072-032	35.
11	92072-042	28.
20	92072-056	35.
9	92074-006	33.
13	92074-022	21.
5	92074-024	21.
6	92074-030	3.
24	92075-015	19.
27	92075-051	17.
17	92075-076	17.
14	92075-078	17.
21	92075-080	32.
9	92075-084	28.
8	92075-099	30.
4	92075-119	4.
5	92075-120	4.
22	92075-121	21.
34	92075-121	34.
12	92075-123	4.
8	92075-125	28.

