



**MICRO-**  
**PARTS CATALOG**

**Z1** 900ccm 1973

Rahmen Nr. Z1F-000001 ~ 020000

Motor Nr. Z1E 000001 ~ 020000

Farbe: Candy Yellow Green, Candy Brown



## Kawasaki Z1 (Z900) 1973

Index	page
1. Cylinder Head	8
2. Cam Shaft, Valve	10
3. Cylinder, Piston, Crank Shaft	12
4. Cam Chain, Tensioner	14
5. Crank Case	16
6. Crank Case Bolt & Stud Pattern	18
7. Clutch	20
8. Transmission Gears	22
9. Gear Change Mechanism	26
10. Kickstarter	28
11. Engine Covers	30
12. Carburetors	32
13. Oil Pump, Oil Filter	38
14. Mufflers, Air Cleaner	40
15. Contact Breaker	42
16. Starter Motor, Dynamo	44
17. Frame	46
18. Swinging Arm, Rear Shock Absorber	50
19. Footrests, Stands, Brake Pedal	52
20. Handlebar, Grips	54
21. Fender	56
22. Wheels	58
23. Front Hub	60
24. Rear Hub	62
25. Disc Brake Equipments A	64
26. Disc Brake Equipments B	66
27. Front Fork	68
28. Fuel Tank	70
29. Oil Tank, Side Covers	72
30. Dual Seat, Chain Cover	74
31. Cables	76
32. Electrical Equipments A	78
33. Electrical Equipments B	82
34. Tools	84
35. Special Service Tools	86
36. N° Verzeichnis	88



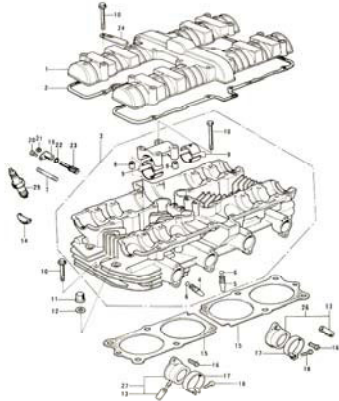
**NLA = nicht mehr lieferbar**

**NLA = n'est plus livrable**

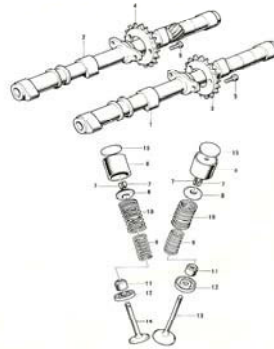
**NLA = non è più disponibile**

# Pictorial Index 1/5

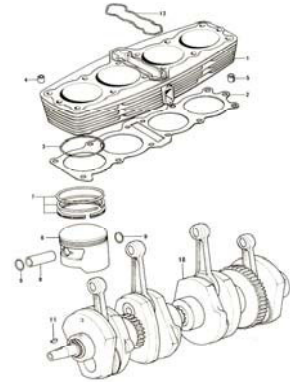
**1. Cylinder Head**



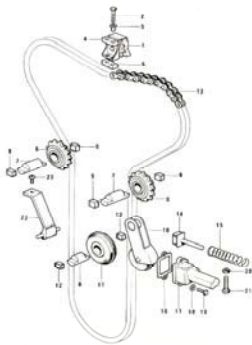
**2. Cam Shaft, Valve**



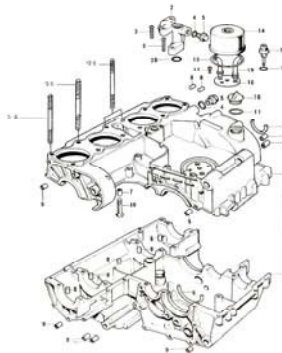
**3. Cylinder, Piston, Crank Shaft**



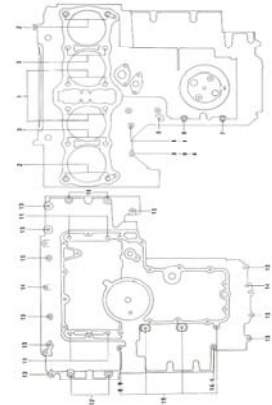
**4. Cam Chain, Tensioner**



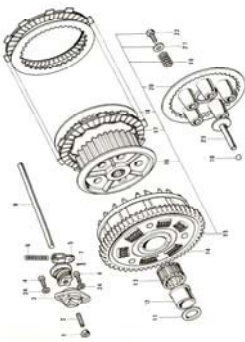
**5. Crank Case**



**6. Crank Case Bolt & Stud Pattern**



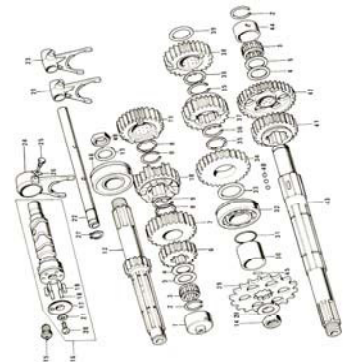
**7. Clutch**



**8. Transmission Gears 1/2**



**8. Transmission Gears 2/2**

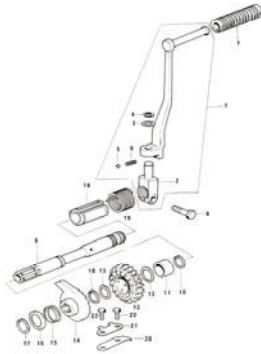


# Pictorial Index 2/5

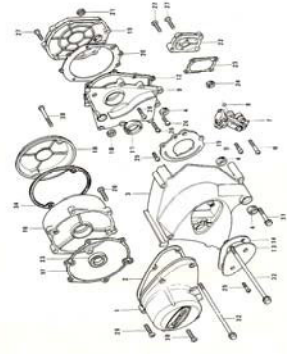
**9. Gear Change Mechanism**



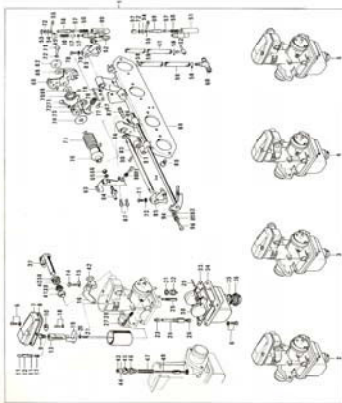
**10. Kickstarter**



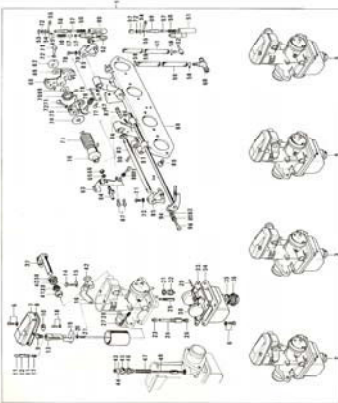
**11. Engine Covers**



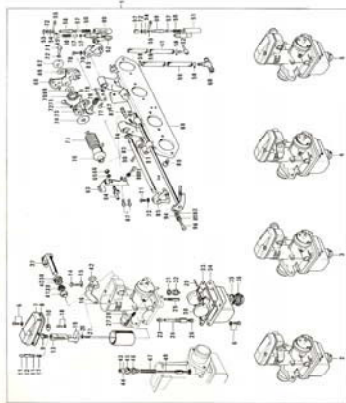
**12. Carburetors 1/3**



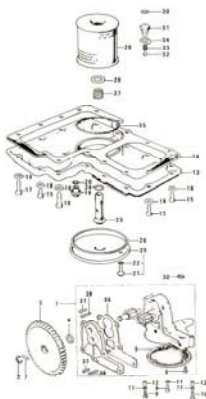
**12. Carburetors 2/3**



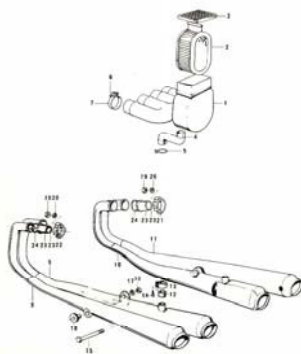
**12. Carburetors 3/3**



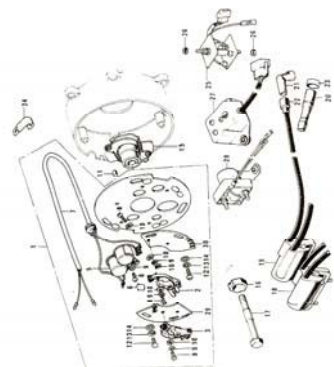
**13. Oil Pump, Oil Filter**



**14. Mufflers, Air Cleaner**

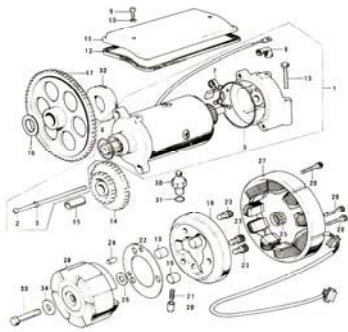


**15. Contact Breaker**

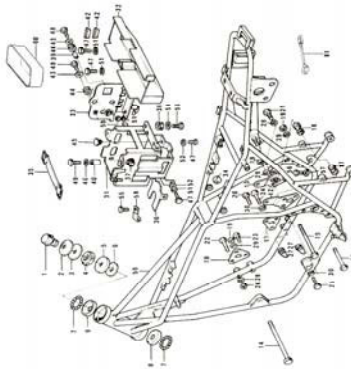


**Pictorial Index 3/5**

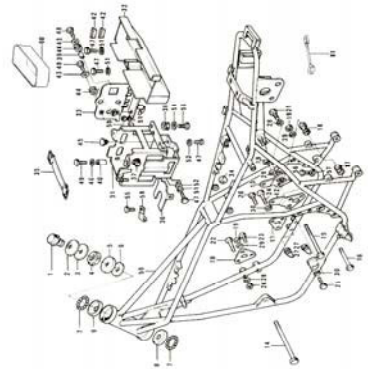
**16. Starter Motor, Dynamo**



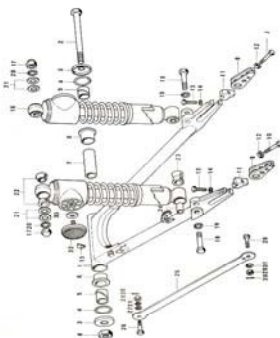
**17. Frame 1/2**



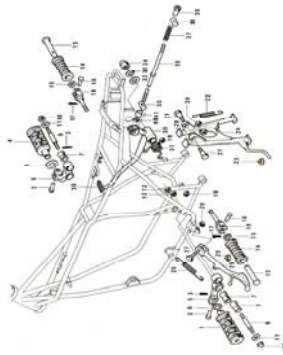
**17. Frame 1/2**



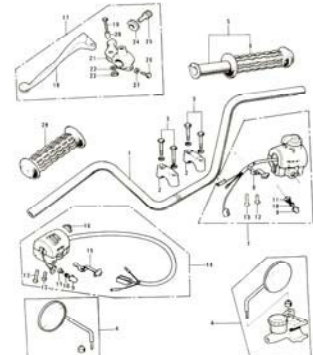
**18. Swinging Arm, Rear Shock Abs.**



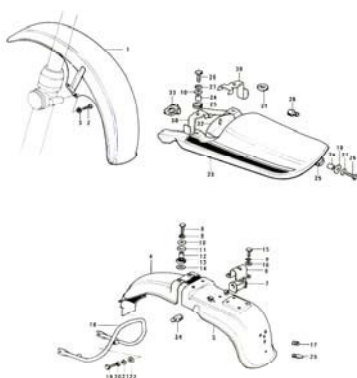
**19. Footrests, Stands, Brake Pedal**



**20. Handlebar, Grips**



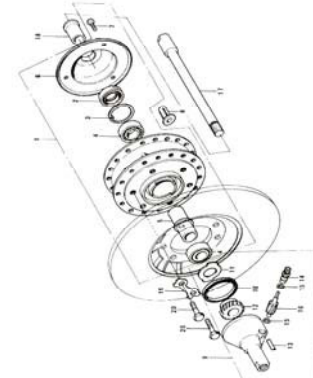
**21. Fender**



**22. Wheels**



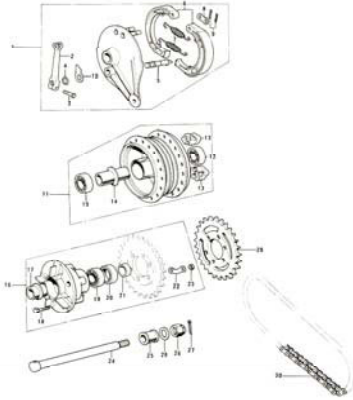
**23. Front Hub**



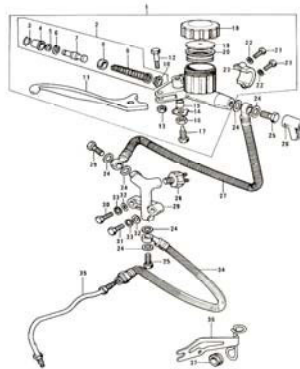


## Pictorial Index 4/5

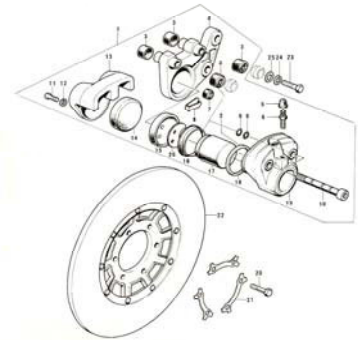
**24. Rear Hub**



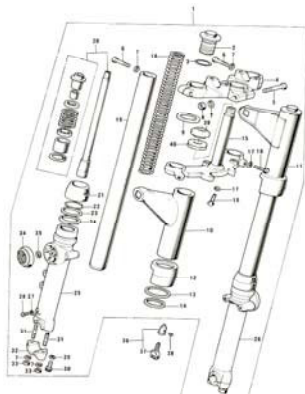
**25. Disc Brake Equipments A**



**26. Disc Brake Equipments B**



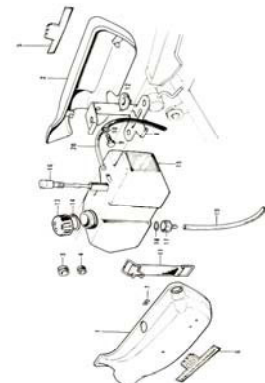
**27. Front Fork**



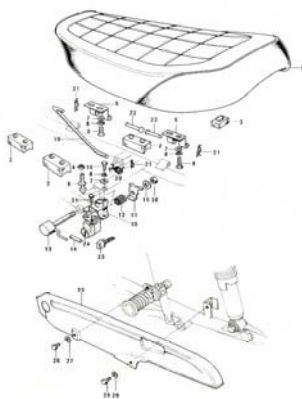
**28. Fuel Tank**



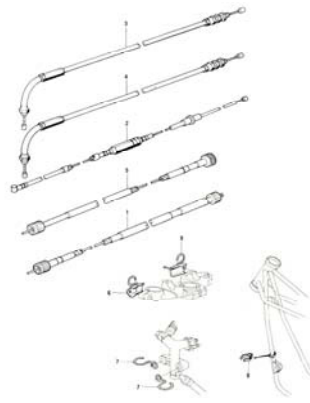
**29. Oil Tank, Side Covers**



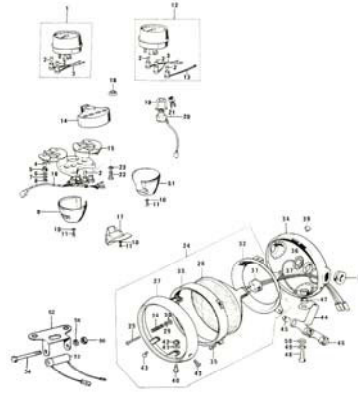
**30. Dual Seat, Chain Covers**



**31. Cables**

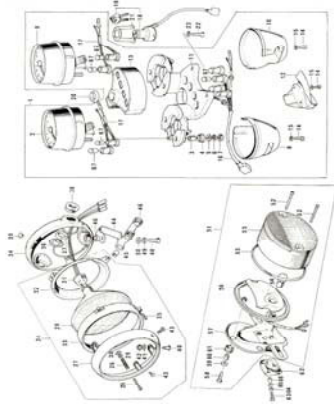


**32. Electrical Equipments A 1/2**

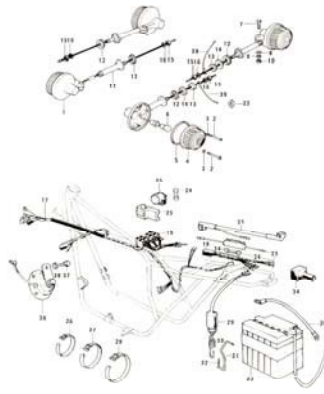


**Pictorial Index 5/5**

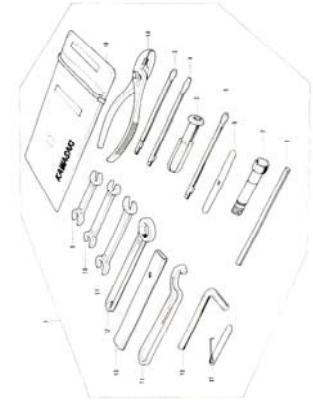
**32. Electrical Equipments A 2/2**



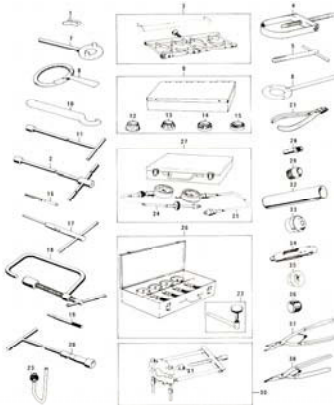
**33. Electrical Equipments B**



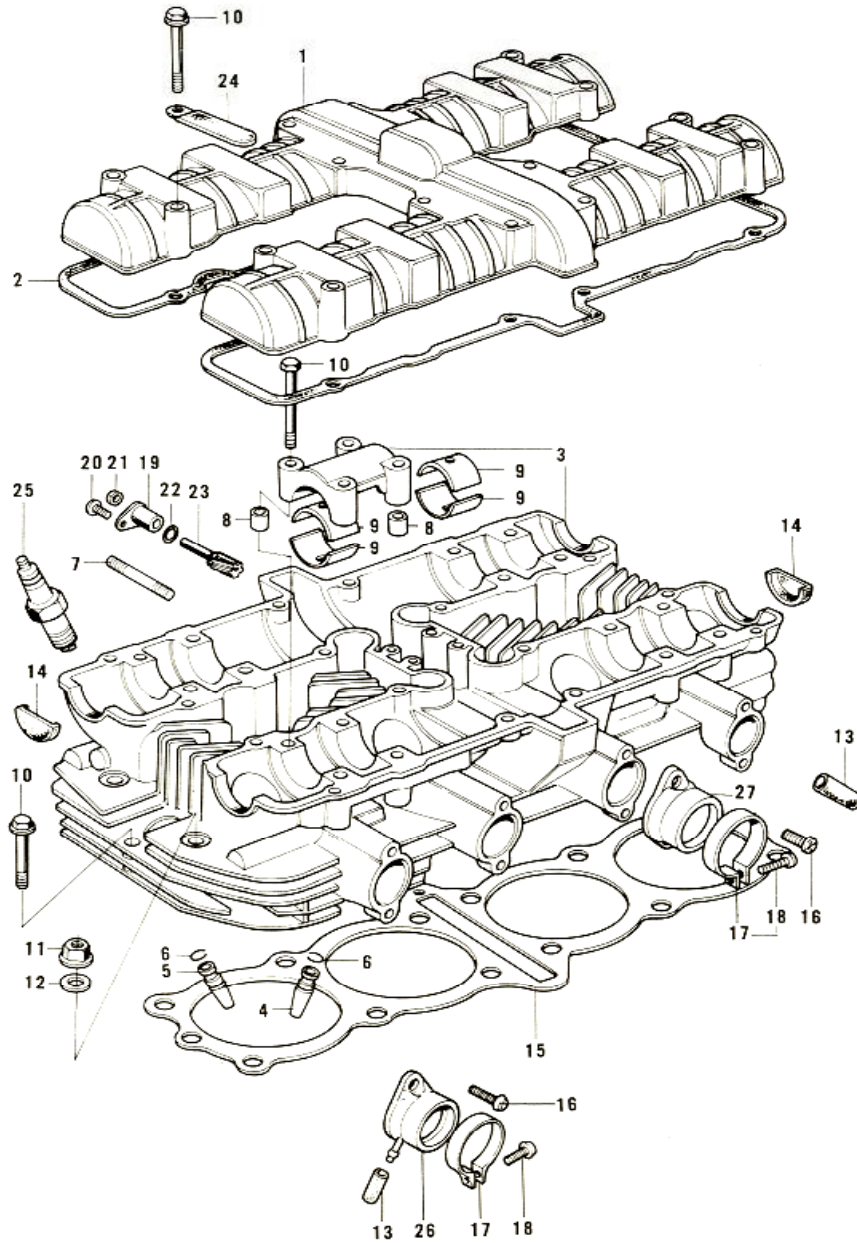
**34. Tools**



**35. Special Service Tools**



# 1. Cylinder Head

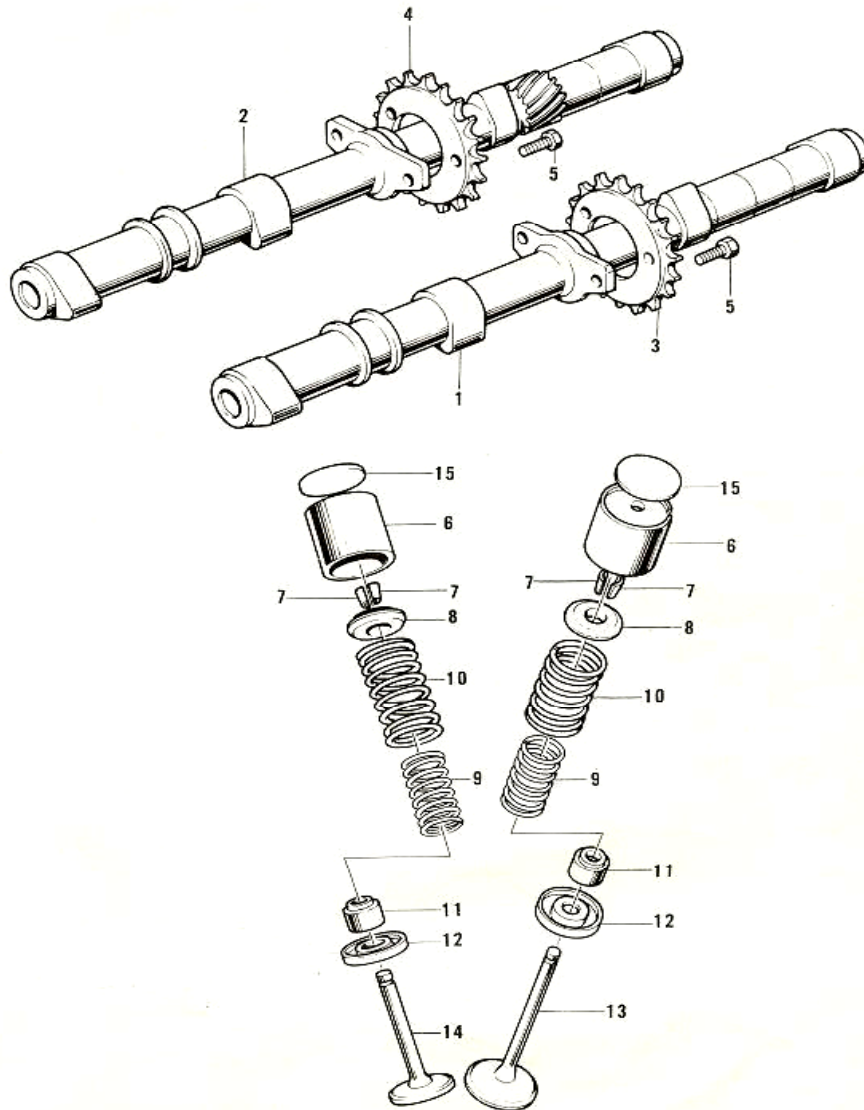




## 1. Cylinder Head

No.	Part No.	Q'TY	PART NAME	
1	11022-004	1	COVER, cylinder head	NLA
2	11023-006	1	GASKET, cylinder head cover	
3	11002-011	1	CYLINDER HEAD	NLA
4	12006-010	4	GUIDE, inlet valve	
5	12006-011	4	GUIDE, exhaust valve	
6	92036-020	8	CIRCLIP, valve guide	
7	92004-049	8	STUD, 6x30	
8	92042-007	8	PIN, dowel	
9	13034-030	16	BEARING, cam shaft	
10	92003-092	35	BOLT, hex head, 6x45	
11	92015-053	12	NUT, cylinder head	
12	92022-215	12	WASHER, plain, 10mm	
13	92068-006	4	PLUG	
14	92066-017	4	PLUG, cylinder head cover	
15	11004-052	1	GASKET, cylinder head	
16	220B0-618	8	SCREW, pan head, 6x18	
17	92123-001	4	CLAMP, carburetor holder	
18	220B0-520	4	SCREW, pan head, 5x20	
19	92087-006	1	GUIDE, tachometer cable	NLA
20	220B0-612	1	SCREW, pan head, 6x12	
21	92050-050	1	OIL SEAL, S06135	
22	670B1-510	1	O-RING, 10mm	
23	13223-006	1	GEAR, tachometer	
24	21126-008	4	CLAMP, ignition cord	
25	92070-037	4	SPARK PLUG, NGK B-8ES	
26	16065-022	2	HOLDER, carburetor RH	
27	16065-023	2	HOLDER, carburetor LH	

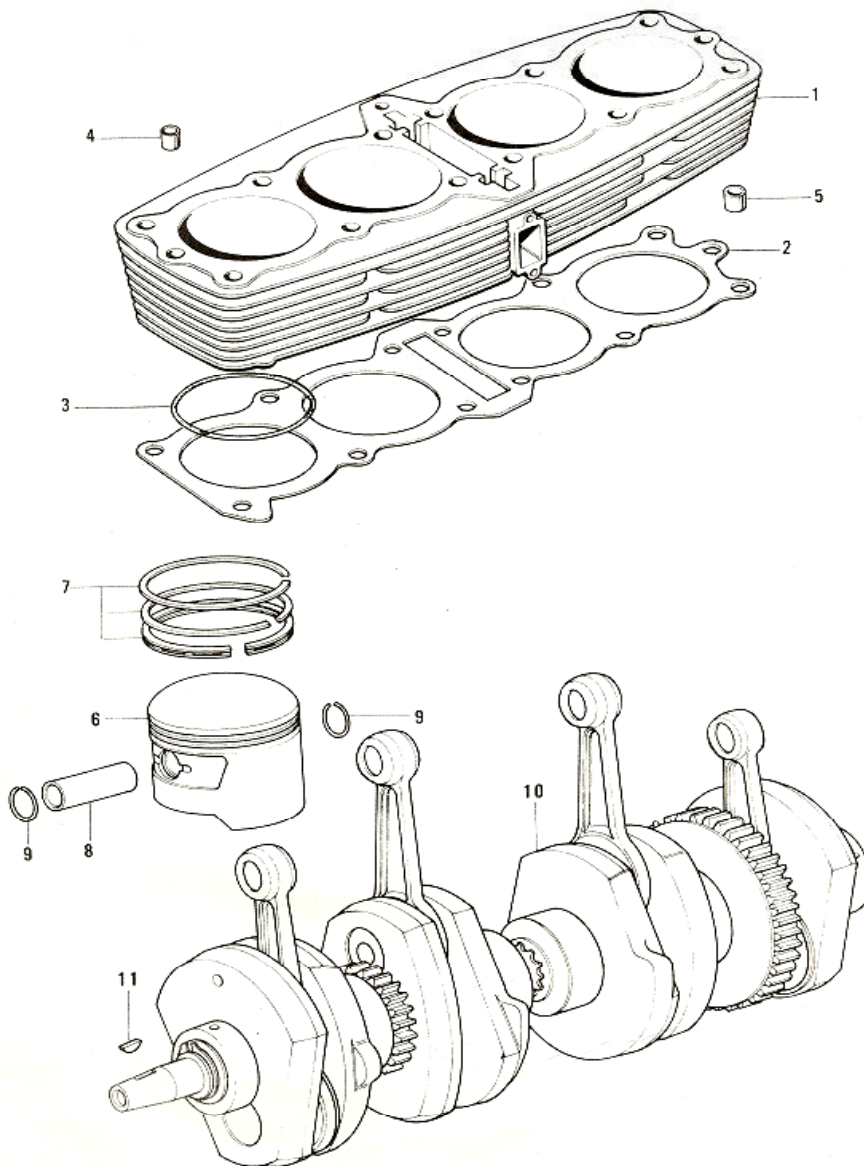
## 2. Cam Shaft, Valve



## 2. Cam Shaft, Valve

No.	Part No.	Q'TY	PART NAME	
1	<del>12044-004</del>	1	CAM SHAFT, inlet	NLA
2	12044-005	1	CAM SHAFT, exhaust	
3	<del>12046-001</del>	1	SPROCKET, inlet cam shaft	NLA
4	<del>12046-002</del>	1	SPROCKET, exhaust cam shaft	NLA
5	110G0-610	6	BOLT, hex head, 6x10	
6	12032-004	8	TAPPET	
7	12011-002	16	COLLAR, valve spring	
8	12009-005	8	RETAINER, valve spring	
9	12007-011	8	SPRING, inner valve	
10	12007-012	8	SPRING, outer valve	
11	92049-016	8	OIL SEAL, RV371295	
12	12010-004	8	SEAT, valve spring	
13	12004-012	4	VALVE, inlet	
14	12005-005	4	VALVE, exhaust	
15	12037-001	AR	SHIM, tappet 2.00 t	
15	12037-002	AR	SHIM, tappet 2.05 t	
15	12037-003	AR	SHIM, tappet 2.10 t	
15	12037-004	AR	SHIM, tappet 2.15 t	
15	12037-005	AR	SHIM, tappet 2.20 t	
15	12037-006	AR	SHIM, tappet 2.25 t	
15	12037-007	AR	SHIM, tappet 2.30 t	
15	12037-008	AR	SHIM, tappet 2.35 t	
15	12037-009	AR	SHIM, tappet 2.40 t	
15	12037-010	AR	SHIM, tappet 2.45 t	
15	12037-011	AR	SHIM, tappet 2.50 t	
15	12037-012	AR	SHIM, tappet 2.55 t	
15	12037-013	AR	SHIM, tappet 2.60 t	
15	12037-014	AR	SHIM, tappet 2.65 t	
15	12037-015	AR	SHIM, tappet 2.70 t	
15	12037-016	AR	SHIM, tappet 2.75 t	
15	12037-017	AR	SHIM, tappet 2.80 t	
15	12037-018	AR	SHIM, tappet 2.85 t	
15	12037-019	AR	SHIM, tappet 2.90 t	
15	12037-020	AR	SHIM, tappet 2.95 t	
15	12037-021	AR	SHIM, tappet 3.00 t	
15	12037-022	AR	SHIM, tappet 3.05 t	
15	12037-023	AR	SHIM, tappet 3.10 t	
15	12037-024	AR	SHIM, tappet 3.15 t	
15	12037-025	AR	SHIM, tappet 3.20 t	

### 3. Cylinder, Piston, Crankshaft

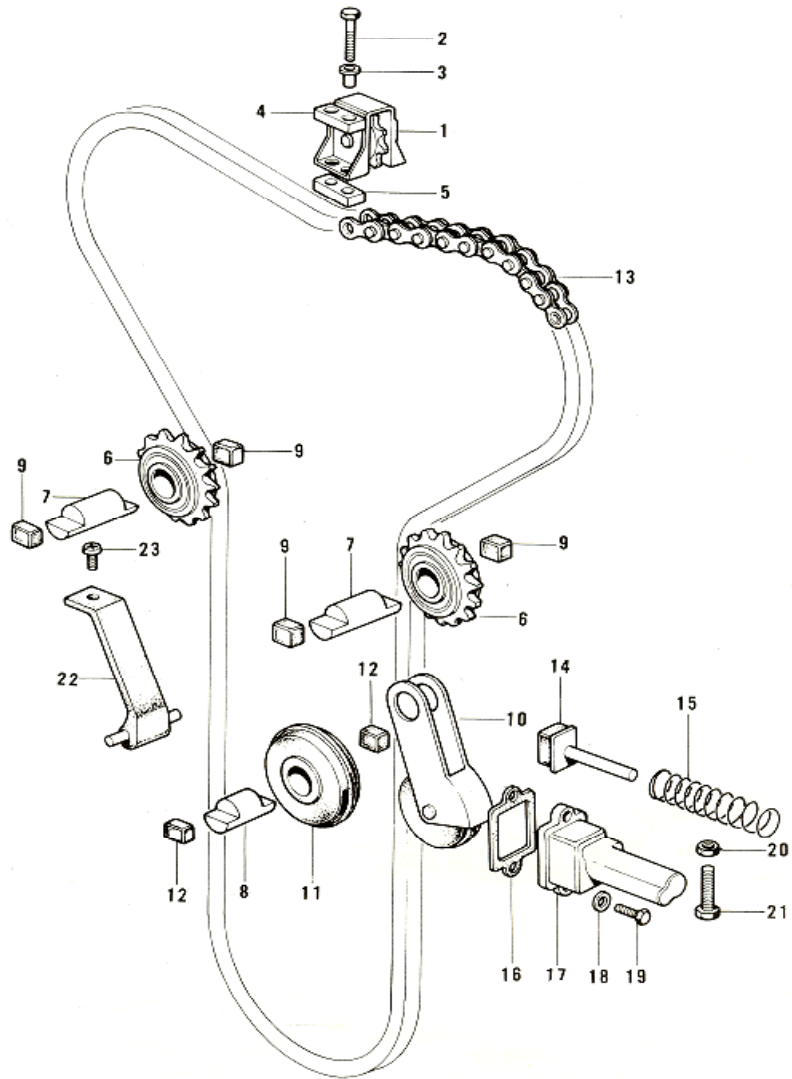


### 3. Cylinder, Piston, Crankshaft

No.	Part No.	Q'TY	PART NAME	
1	11006-013	1	CYLINDER	
2	11009-030	1	GASKET, cylinder base	
3	92055-054	4	O-RING, 73mm	
4	552A1014	2	PIN, dowel, 10x14	
5	92042-028	2	PIN, dowel,	
6	<del>13001-054</del>	4	PISTON, STD.	<b>NLA</b>
6	13029-058	4	PISTON, 0.50 (1.Übermass)	
6	<del>13027-056</del>	4	PISTON, 1.00 (2.Übermass)	<b>NLA</b>
7	13008-038	4	RING SET, STD	
7	13025-046	4	RING SET 0.50 (1.Übermass)	
7	13024-046	4	RING SET 1.00 (2.Übermass)	
8	13002-022	4	PIN, piston	
9	92036-021	8	CIRCLIP, piston pin	
10	<del>13031-043</del>	1	CRANK SHAFT ASSY	<b>NLA</b>
11	92038-001	1	KEY, woodruff	



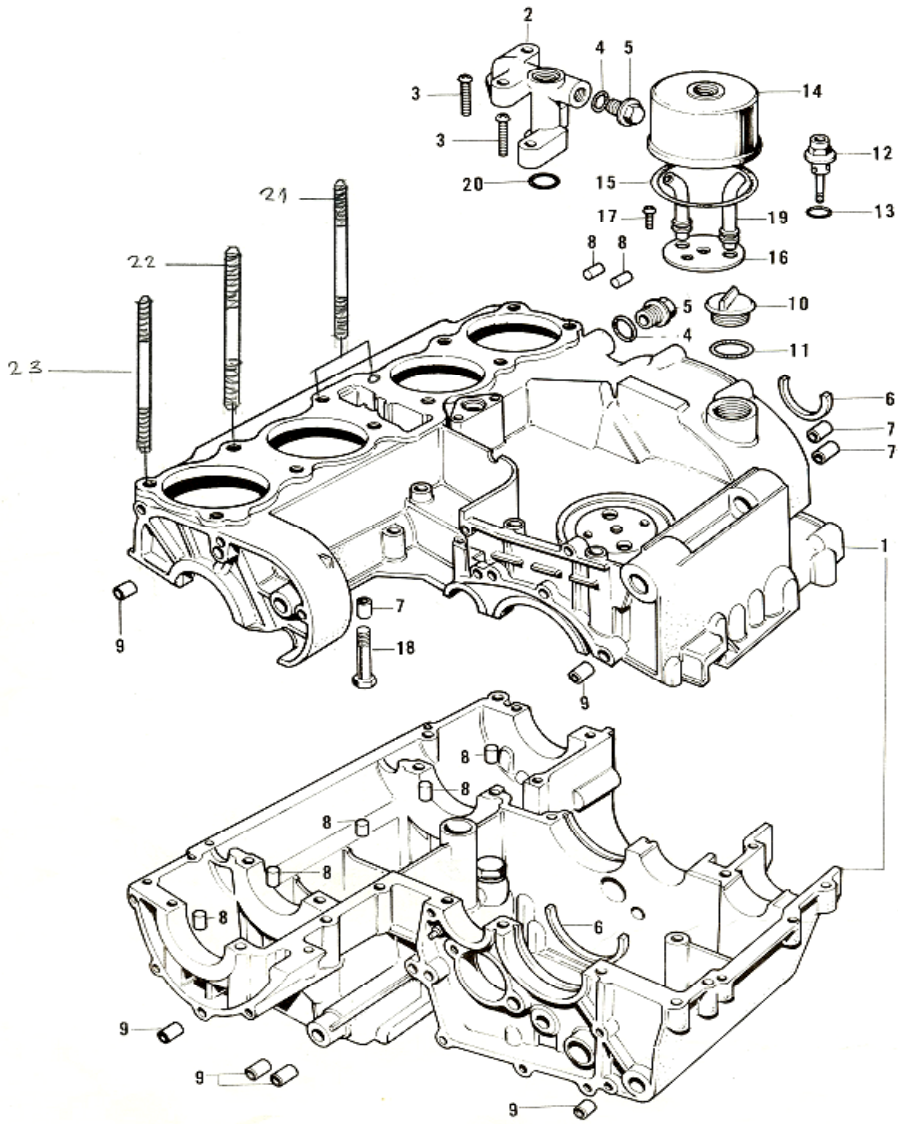
### 4. Cam Chain, Tensioner



#### 4. Cam Chain, Tensioner

No.	Part No.	Q'TY	PART NAME	
1	12057-001	1	IDLER ASSY, cam chain	
2	110G0-635	4	BOLT, hex head, 6x35	
3	92027-155	4	COLLAR, idler	
4	92075-119	2	RUBBER, idler	
5	92075-120	2	RUBBER, idler	
6	12057-002	2	IDLER ASSY, cam chain	
7	12052-002	2	SHAFT, guide roller	
8	12052-003	1	SHAFT	
9	92075-122	4	RUBBER, guide roller	
10	12048-001	1	TENSIONER ASSY, cam chain	
11	12055-002	1	ROLLER, cam chain guide	
12	92075-123	2	RUBBER, guide roller	
13	21070-003	1	CHAIN, cam shaft	
14	<del>12054-001</del>	1	ROD ASSY, push	<b>NLA</b>
15	92081-107	1	SPRING, tensioner	
16	12056-001	1	GASKET, tensioner holder	
17	<del>12047-001</del>	1	HOLDER, cam chain tensioner	<b>NLA</b>
18	410B0-600	2	WASHER, plain, 6mm	
19	110B0-620	2	BOLT, hex head, 6x20	
20	310B0-600	1	NUT, 6mm	
21	<del>92003-093</del>	1	BOLT, tensioner adjusting	<b>NLA</b>
22	12053-001	1	GUIDE, cam chain	
23	220B0-610	1	SCREW, pan head 6x10	

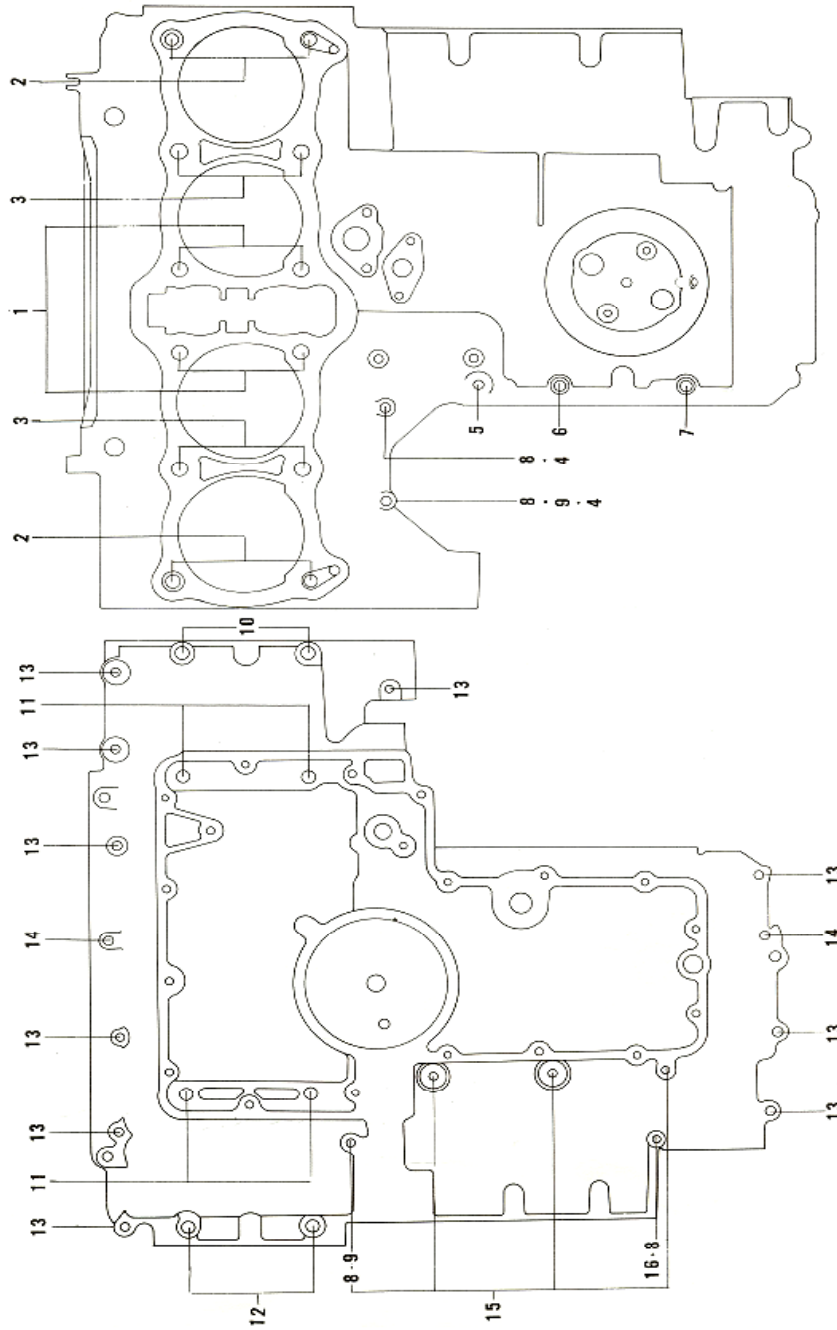
### 5. Crank Case



## 5. Crank Case

No.	Part No.	Q'TY	PART NAME	
1	14001-052	1	CRANK CASE SET	NLA
2	16109-003	1	PIPE	NLA
3	220B0-635	4	SCREW, pan head, 6x35	
4	670B2-015	2	O-RING, 15mm	
5	92066-021	2	PLUG	
6	14013-001	2	RING, bearing set, 62mm	
7	552A1-014	4	PIN, dowel, 10x14	
8	610A0-614	8	PIN, dowel, 6x14	NLA
9	92042-007	6	PIN, dowel	
10	16115-013	1	PLUG, oil filler	
11	92055-049	1	O-Ring	
12	92003-098	1	BOLT, breather	NLA
13	670B2-016	1	O-RING, 16mm	
14	14070-003	1	BODY, breather	NLA
15	92055-052	1	O-RING, breather body	
16	14068-003	1	PLATE, breather	
17	220B0618	2	SCREW, pan head, 6x18	
18	92003-107	4	BOLT, hex head, 8x72	
19	92059-081	2	TUBE	NLA
20	670B2-018	2	O-RING, 18mm	
21	92004-045	4	STUD, 10x190	
22	92004-047	4	STUD, 10x153	
23	92004-046	4	STUD, 10x184	

### 6. Crank Case Bolt & Stud Pattern

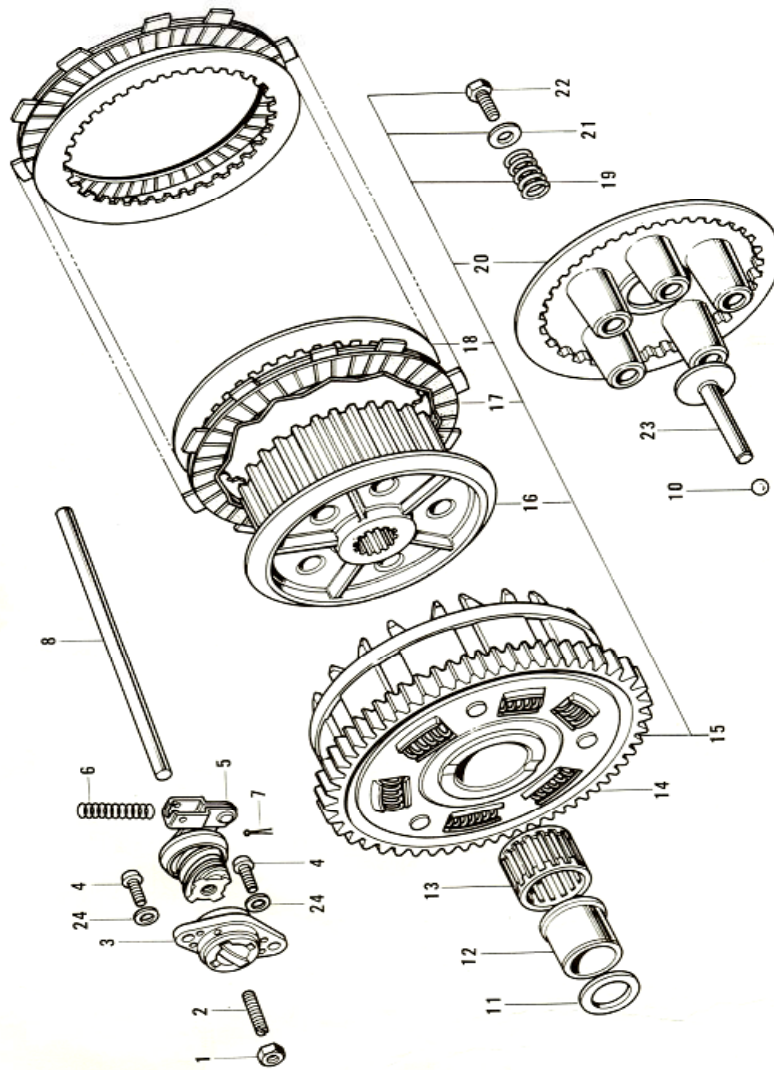




## 6. Crank Case Bolt & Stud Pattern

No.	Part No.	Q'TY	PART NAME	
1	92004-045	4	STUD, 10x190	
2	92004-047	4	STUD, 10x153	
3	92004-046	4	STUD, 10x184	
4	92003-109	2	BOLT, hex head, 6x41	
5	92003-110	1	BOLT, hex head, 6x54	NLA
6	92003-111	1	BOLT, hex head, 6x99	NLA
7	92003-113	1	BOLT, hex head, 6x116	NLA
8	21126-007	2	CLAMP, wiring harness	
9	410B0-600	1	WASHER, plain, 6mm	
10	92003-106	2	BOLT, hex head, 8x95	
11	92003-107	4	BOLT, hex head, 8x72	
12	92003-108	2	BOLT, hex head, 8x81	
13	92003-109	10	BOLT, hex head, 6x41	
14	92003-110	2	BOLT, hex head, 6x54	NLA
15	92003-112	4	BOLT, hex head, 6x94	
16	92003-114	1	BOLT, hex head, 6x72	NLA

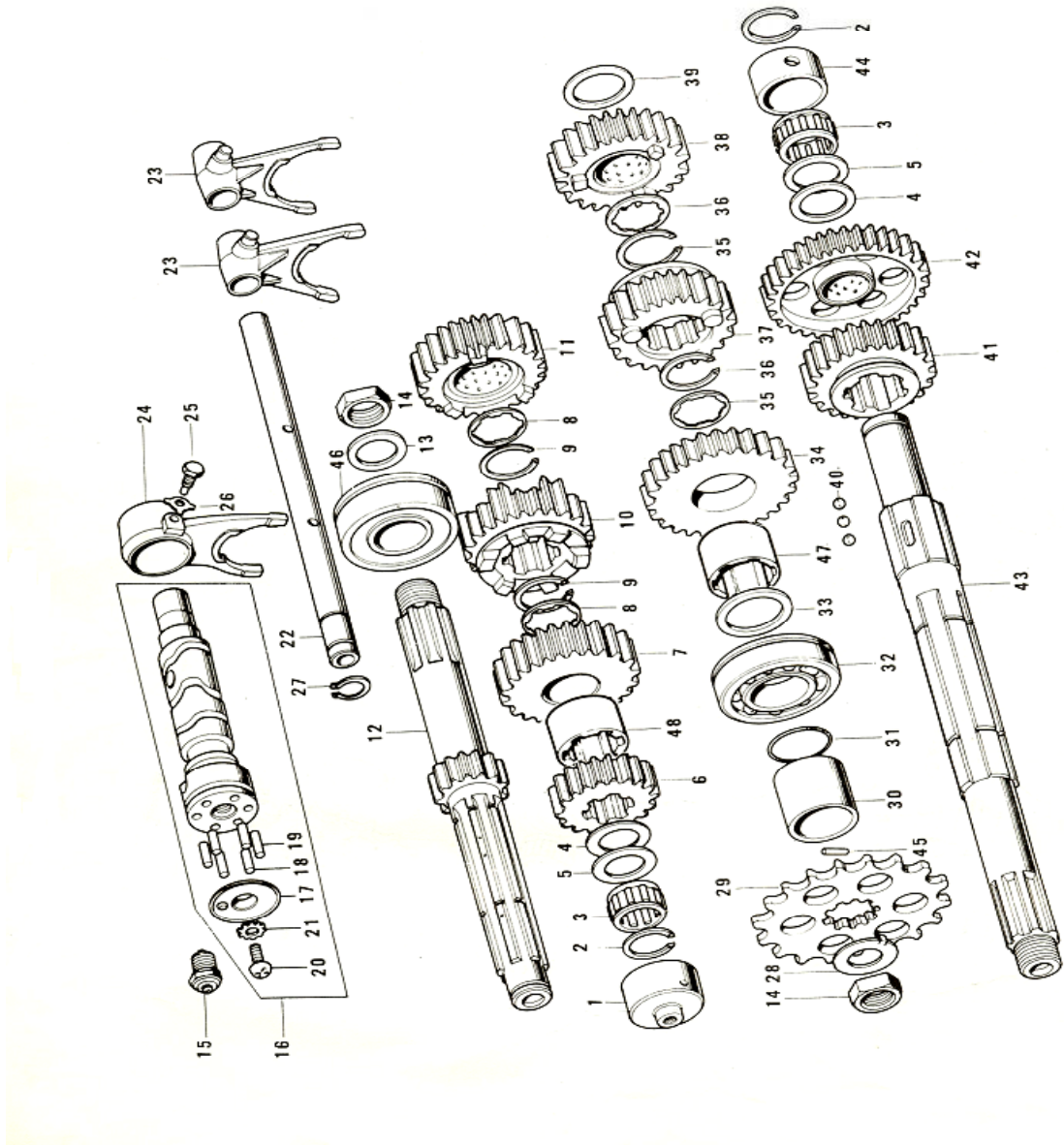
## 7. Clutch



## 7. Clutch

No.	Part No.	Q'TY	PART NAME	
1	315B0-800	1	NUT, 8mm	
2	92014-014	1	SCREW, slotted, 8x25	NLA
3	13102-013	1	INNER, clutch release	NLA
4	220B0-616	2	SCREW, pan head, 6x16	
5	13118-007	1	OUTER, clutch release	NLA
6	92081-069	1	SPRING, clutch release	
7	550D1-615	1	PIN, cotter, 1.6x15	
8	13116-021	1	ROD, clutch push	
9	670B1-507	1	O-RING, 7mm	
10	600A1-200	1	BALL, steel, 3/8"	
11	92026-022	1	WASHER, clutch thrust	
12	92028-127	1	BUSHING, clutch	NLA
13	92046-028	1	NEEDLE BEARING, clutch	
14	13095-036	1	HOUSING, clutch	NLA
15	13081-045	1	CLUTCH ASSY	NLA
16	13087-031	1	HUB, clutch	NLA
17	13088-030	8	PLATE, clutch friction	
18	13089-022	7	PLATE, clutch steel	
19	92081-105	5	SPRING, clutch	
20	13187-006	1	PLATE, clutch spring	
21	13091-011	5	HOLDER, clutch spring	
22	116B0-618	5	BOLT, hex head, 6x18	
23	13116-022	1	PUSHER, clutch spring plate	
24	411B0-600	2	WASHER, plain, 6mm	

### 8. Transmission Gears 1/2

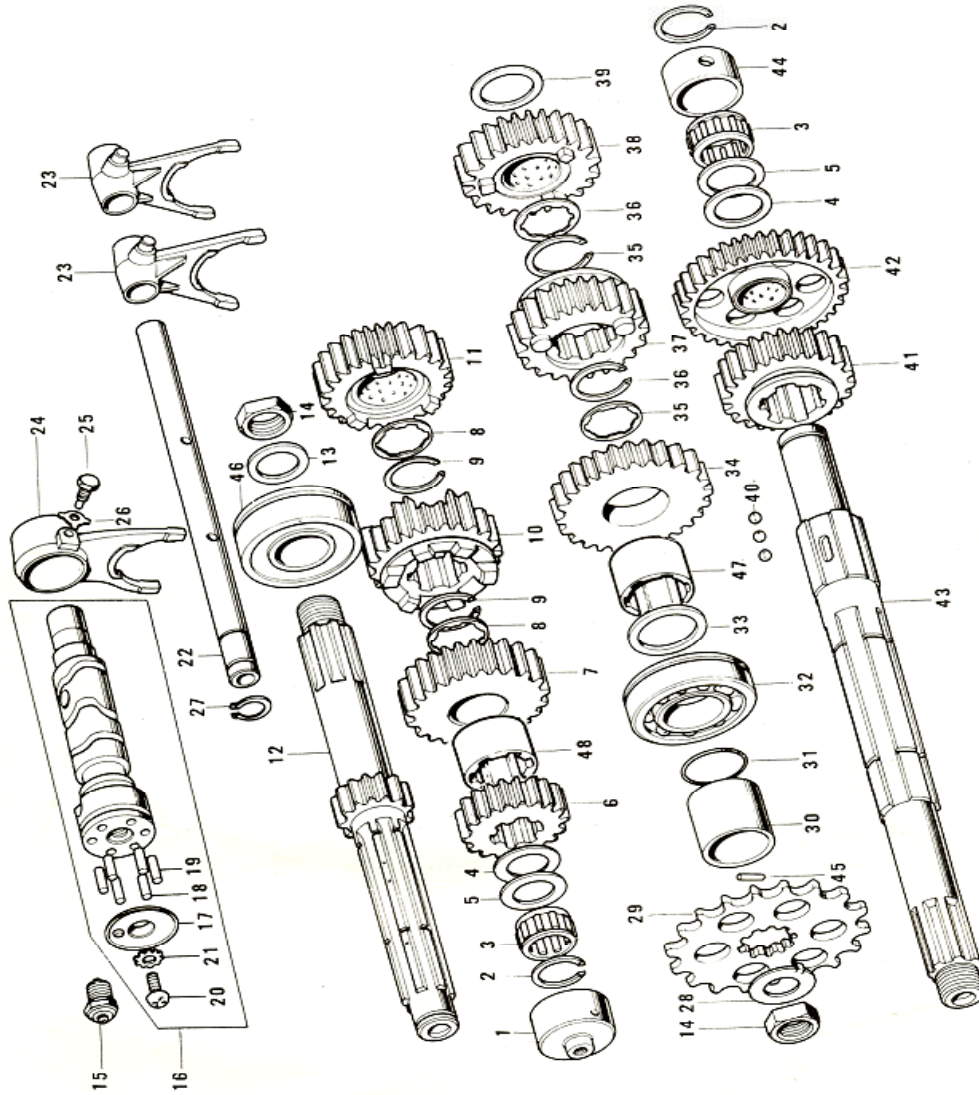


## 8. Transmission Gears 1/2

No.	Part No.	Q'TY	PART NAME	
1	92028-122	1	BUSHING, drive shaft	
2	92033-025	2	CIRCLIP, drive shaft	
3	92046-031	2	NEEDLE BEARING PK223013.8	
4	92022-211	2	WASHER, thrust 1.0 t	
5	92022-212	2	WASHER, thrust 1.6 t	
5	92022-213	2	WASHER, thrust 1.2 t	
6	13130-032	1	2ND GEAR, drive shaft	NLA
7	13136-042	1	TOP GEAR, drive shaft	NLA
8	92024-042	2	WASHER, thrust 1.5 t	
9	480J2-800	2	CIRCLIP, 28mm	
10	13132-030	1	3RD GEAR, drive shaft	NLA
11	13134-016	1	4TH GEAR, drive shaft 21 T	
12	13127-042	1	SHAFT, drive	NLA
13	92125-002	1	WASHER 3.0 t	NLA
14	92016-028	2	NUT, 20mm	
15	13151-018	1	SWITCH, neutral indicator	
16	13239-010	1	DRUM ASSY, gear change	NLA
17	13142-013	1	PLATE, change drum pin	
18	92042-020	1	PIN, change drum	
19	92042-014	5	PIN, change drum	
20	220B0-612	1	SCREW, pan head, 6x12	
21	464G0-600	1	WASHER, lock, 6mm	
22	13209-011	1	ROD, shift	NLA
23	13140-045	2	FORK, selector	
24	13140-046	1	FORK, selector	NLA
25	92043-016	1	PIN, selector fork	
26	92031-001	1	WASHER, lock	
27	480J1-200	1	CIRCLIP, 12mm	
28	92024-044	1	WASHER, lock, 20mm	
29	13144-046	1	ENGINE SPROCKET 15T	
30	92027-152	1	COLLAR, engine sprocket	
31	92055-035	1	O-RING, output shaft	
32	92045-021	1	BALL BEARING	
33	92022-210	1	WHASHER, thrust	NLA
34	13131-038	1	2ND GEAR, output shaft 35 T	
35	92024-043	2	WASHER, thrust	
36	480J3-000	2	CIRCLIP, 30mm	
37	13137-025	1	TOP GEAR, output shaft 28 T	
38	13133-031	1	3RD GEAR, output shaft 35 T	
39	92022-209	1	WHASHER, thrust	NLA
40	600A0-600	3	BALL, steel, 3/16"	
41	13135-046	1	4TH GEAR, output shaft 29 T	NLA
42	13129-046	1	LOW GEAR, output shaft 38 T	NLA



### 8. Transmission Gears 2/2

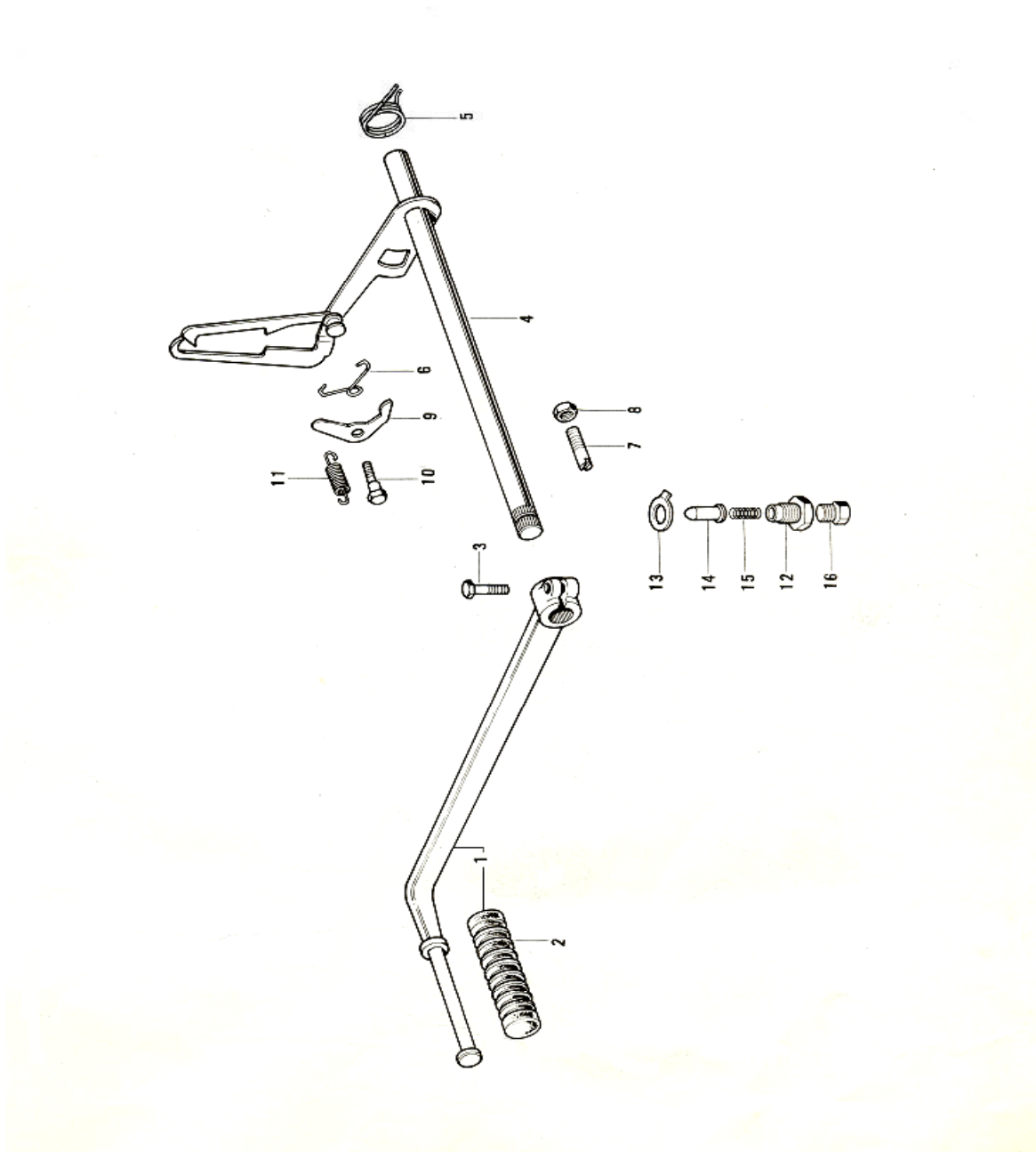


**Next >>**

## 8. Transmission Gears 2/2

No.	Part No.	Q'TY	PART NAME	
43	<del>13128-037</del>	1	SHAFT, output	NLA
44	92028-123	1	BUSHING, output shaft	
45	92043-109	1	PIN	
46	92045-022	1	BEARING, ball, 5305NB	
47	<del>92028-117</del>	1	BUSHING, 2nd gear	NLA
48	92028-1006	1	BUSHING, top gear	

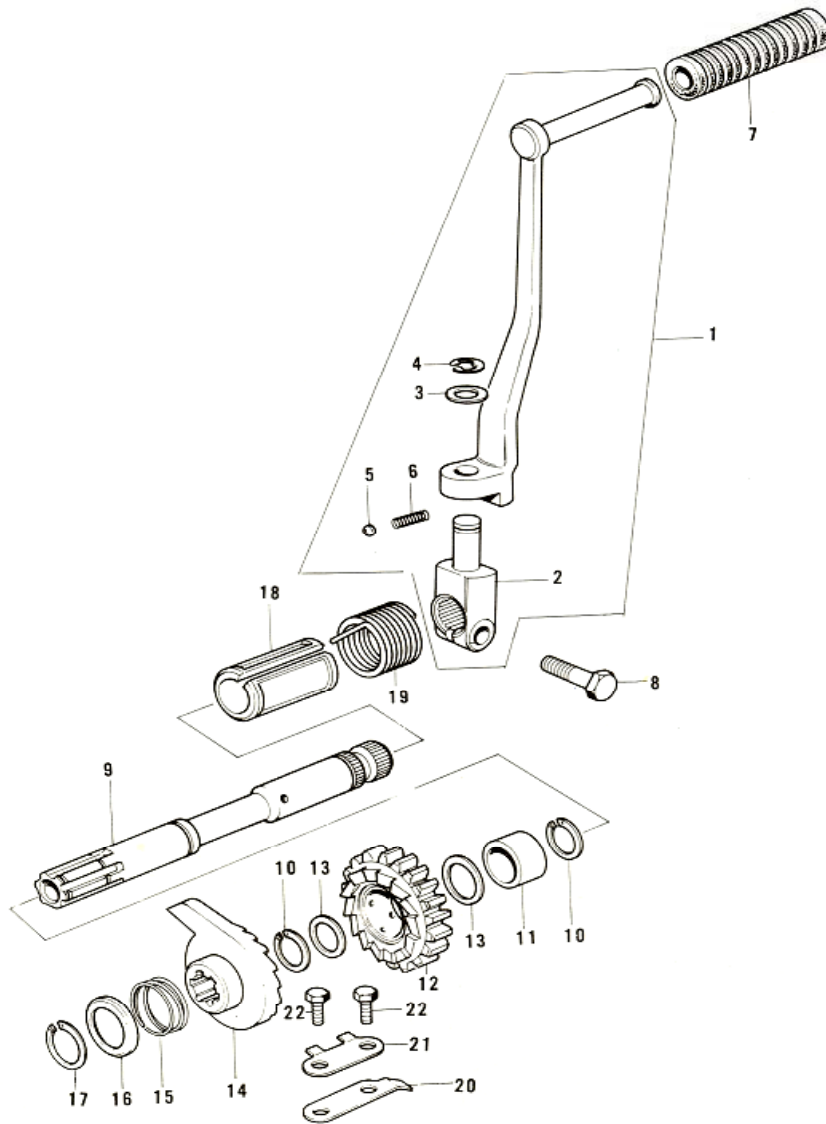
### 9. Gear Change Mechanism



## 9. Gear Change Mechanism

No.	Part No.	Q'TY	PART NAME	
1	13242-006	1	PEDAL ASSY, gear change	
2	13157-004	1	RUBBER, change pedal	
3	110N0-620	1	BOLT, hex head, 6x20	
4	13161-029	1	LEVER ASSY, gear change	
5	92083-021	1	SPRING, change pedal return	
6	92083-018	1	SPRING, change lever	
7	92043-058	1	PIN, change drum return spring	NLA
8	312B0-800	1	NUT, 8mm	
9	13168-024	1	LEVER, change drum	NLA
10	92150-1450	1	BOLT, change drum lever	
11	92081-051	1	SPRING, change drum lever	
12	92001-112	1	BOLT, change drum positioning	NLA
13	92024-047	1	WASHER, lock	NLA
14	92043-085	1	PIN	NLA
15	92081-106	1	SPRING, change drum positioning	
16	92001-119	1	BOLT	

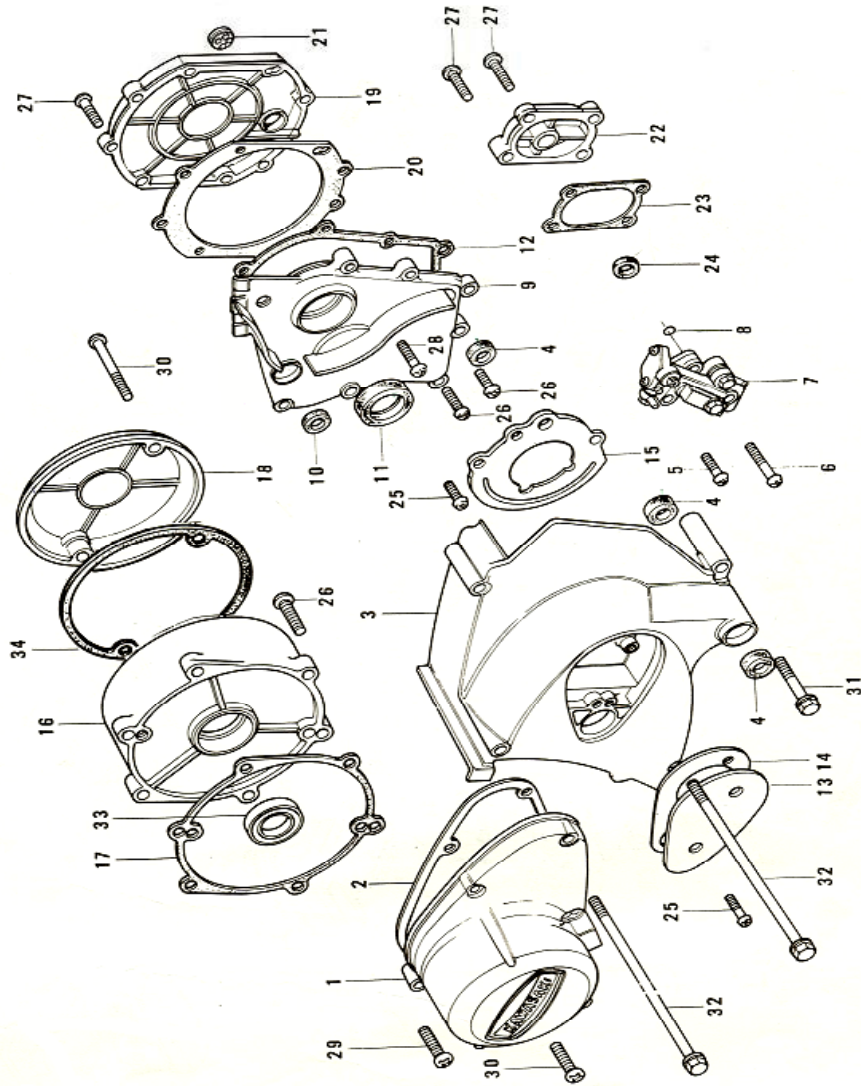
# 10. Kickstarter



## 10. Kickstarter

No.	Part No.	Q'TY	PART NAME	
1	<del>13058-044</del>	1	PEDAL ASSY, kickstarter	NLA
2	<del>13061-017</del>	1	BOSS, kick pedal	NLA
3	92022-085	1	WAHSER, plain	
4	482J0-100	1	CIRCLIP, 10mm	
5	600A0-800	1	BALL, steel, 1/4"	
6	92081-020	1	SPRING, kick pedal	
7	13063-004	1	RUBBER, kick peal	
8	414B1-025	1	BOLT, hex head, 10x25	NLA
9	<del>13066-029</del>	1	SHAFT, kickstarter	NLA
10	92033-025	2	CIRCLIP, 19mm	
11	<del>92028-124</del>	1	COLLAR, Kickshaft	NLA
12	13068-028	1	GEAR, kickstarter	
13	<del>92022-207</del>	1	WASHER, thrust	NLA
14	13078-006	1	RATCHET	
15	92081-104	1	SPRING, ratchet	
16	<del>92102-008</del>	1	HOLDER, ratchet spring	NLA
17	480J1-900	1	CIRCLIP, 19mm	
18	<del>13070-005</del>	1	GUIDE, kick spring	NLA
19	<del>92082-004</del>	1	SPRING, kickstarter	NLA
20	13072-012	1	STOPPER, kickshaft	
21	<del>92024-036</del>	1	WASHER, lock, 6mm	NLA
22	116B0-614	2	BOLT, hex head, 6x14	

# 11. Engine Covers

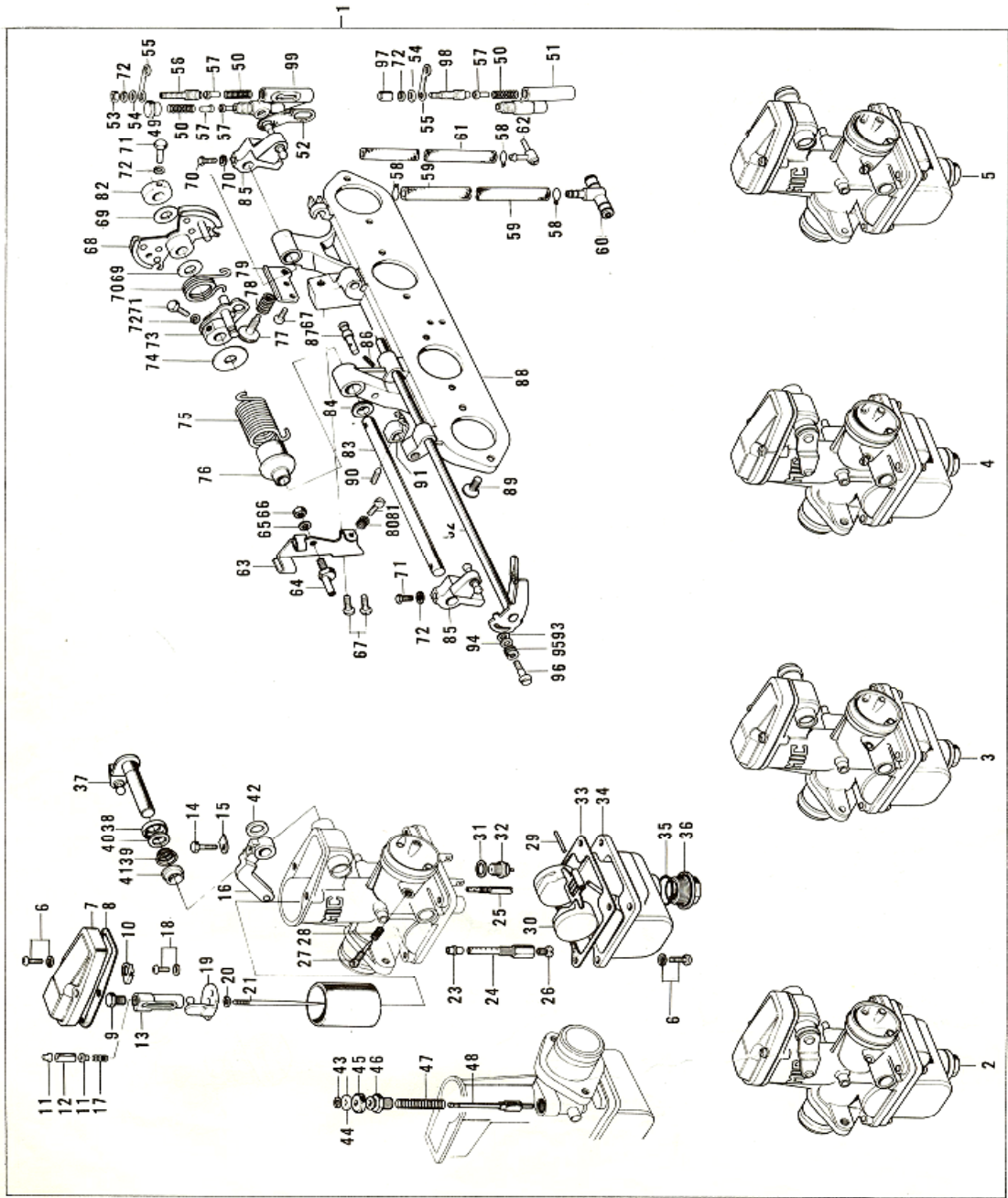




## 11. Engine Covers

No.	Part No.	Q'TY	PART NAME	
1	14031-053	1	COVER, LH, engine	
2	14045-014	1	GASKET, LH, engine cover	
3	<del>14026-011</del>	1	COVER, front chain	NLA
4	92049-004	3	OIL SEAL, SB12205	
5	220B0-512A	1	SCREW, pan head, 5x12	
6	<del>220B0-528</del>	1	SCREW, pan head, 5x28	NLA
7	<del>16082-037</del>	1	OIL PUMP ASSY	NLA
8	<del>92055-053</del>	1	O-RING, oil pump	NLA
9	14024-007	1	COVER, transmission	
10	92050-048	1	OIL SEAL, TC7187	
11	92050-024	1	OIL SEAL, SC325210	
12	14058-004	1	GASKET, transmission cover	
13	<del>14026-012</del>	1	COVER, oil pump	NLA
14	<del>14045-015</del>	1	GASKET, oil pump cover	NLA
15	<del>14024-008</del>	1	COVER, engine sprocket	NLA
16	14032-083	1	COVER, RH, engine	
17	14046-023	1	GASKET, RH, engine cover	
18	14027-015	1	CAP, contact breaker	
19	<del>14032-082</del>	1	COVER, clutch	NLA
20	14046-024	1	GASKET, clutch cover	
21	52015-004	1	GAUGE, oil level	
22	<del>14032-075</del>	1	COVER, kickshaft	NLA
23	14046-025	1	GASKET, kickshaft cover	
24	92049-001	1	OIL SEAL, SB22325.5	
25	220B0-612	4	SCREW, pan head, 6x12	
26	220B0-622	11	SCREW, pan head, 6x22	
27	220B0-625	11	SCREW, pan head, 6x25	
28	220B0-628	1	SCREW, pan head, 6x28	
29	220B0-630	7	SCREW, pan head, 6x30	
30	220B0-640	8	SCREW, pan head, 6x40	
31	110G0-671	2	BOLT, hex head, 6x71	
32	110G0-6125	2	BOLT, hex head, 6x125	
33	92050-047	1	OIL SEAL	
34	14050-006	1	GASKET, contact breaker cap	

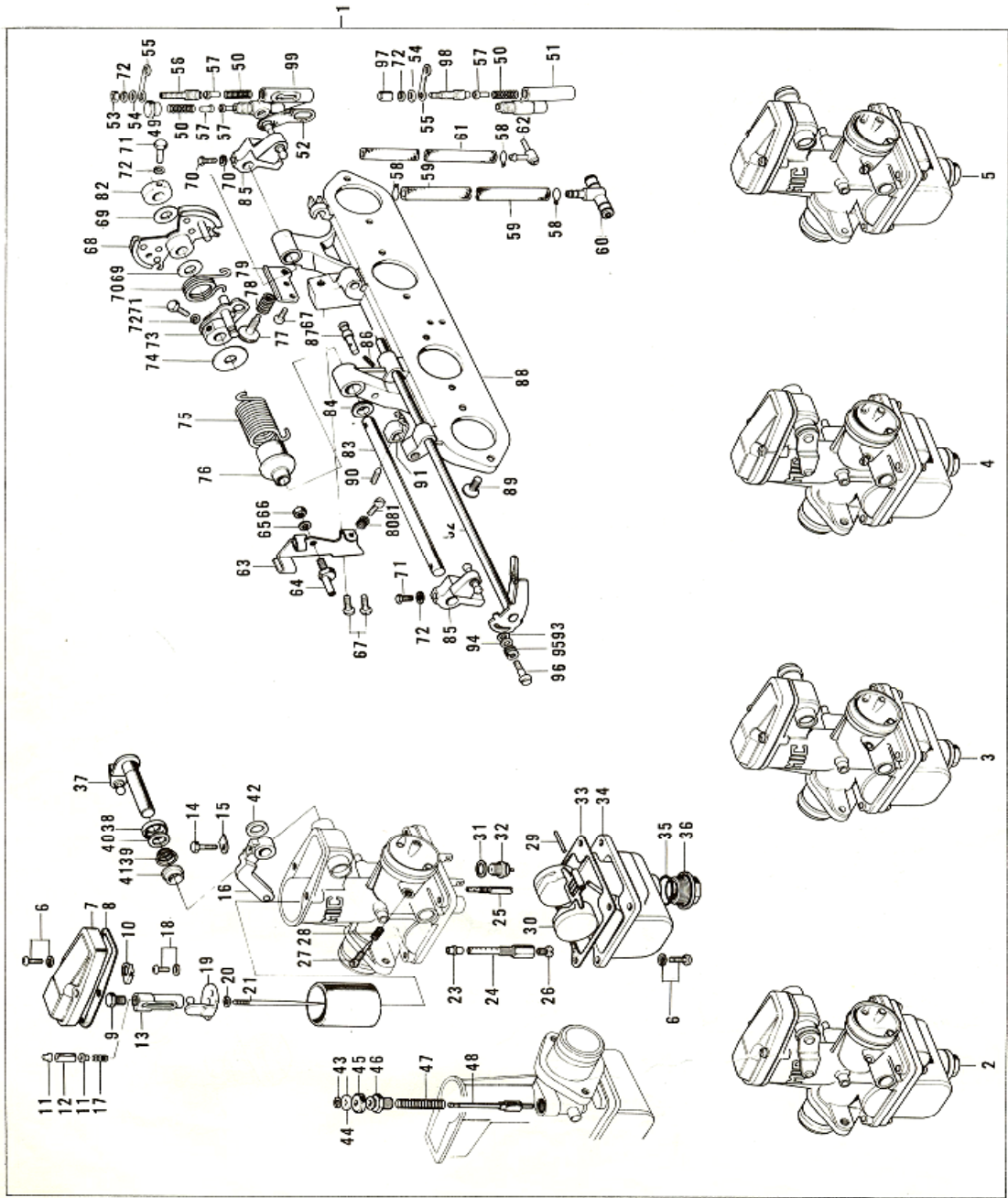
# 12. Carburetors 1/3



## 12. Carburetors 1/3

No.	Part No.	Q'TY	PART NAME	
1	16001-147	1	CARBURETOR ASSY	NLA
2	16001-172	1	CARBURETOR, A	NLA
3	16001-173	1	CARBURETOR, B	NLA
4	16001-174	1	CARBURETOR, C	NLA
5	16001-175	1	CARBURETOR, D	NLA
6	223B0-416	24	SCREW, float chamber fitting	
7	16005-023	4	TOP, mixing chamber	NLA
8	16019-018	4	GASKET, mixing chamber top	
9	16067-003	4	BOLT, A	
10	16054-003	4	WASHER, lock, A	
11	16057-002	8	SEAT, spring	
12	16065-017	4	HOLDER, throttle shaft	NLA
13	16052-003	4	SHAFT, throttle valve	
14	16067-004	4	BOLT, B	
15	16054-004	4	WASHER, lock, B	
16	16068-007	4	LEVER, A	
17	16040-004	4	SPRING, A	NLA
18	223B0-412	8	SCREW, pan head, 3x10	
19	16007-018	4	PLATE, throttle valve	NLA
20	16008-004	4	CLIP, jet needle	
21	16009-055	4	JET NEEDLE 5J9	NLA
22	16025-051	4	VALVE, throttle CA 2.5	NLA
23	16017-064	4	NEEDLE JET P-8	NLA
24	16047-002	4	HOLDER, needle jet	NLA
25	92064-035	4	PILOT JET # 20	
26	92063-075	4	MAIN JET # 112.5	STD
26	92063-073	4	MAIN JET # 107.5	
26	92063-074	4	MAIN JET # 110.0	
26	92063-077	4	MAIN JET # 117.5	
27	92063-076	4	SCREW, pilot air adjusting	NLA
28	16022-007	4	SPRING, pilot air adjusting	
29	16032-003	4	PIN, float	
30	16031-024	4	FLOAT	NLA
31	16029-004	4	WASHER, float valve seat	
32	16030-017	4	FLOAT VALVE ASSY	
33	16019-019	4	GASKET, float chamber	
34	16020-015	4	BODY, float chamber	NLA
35	16038-009	4	O-RING, main jet cover	
36	16049-003	4	COVER, main jet	NLA
37	16068-008	4	LEVER, B	NLA
38	16073-002	4	COLLAR, A	NLA
39	16040-005	4	SPRING, B	
40	16039-012	4	WASHER, plain	NLA

# 12. Carburetors 2/3

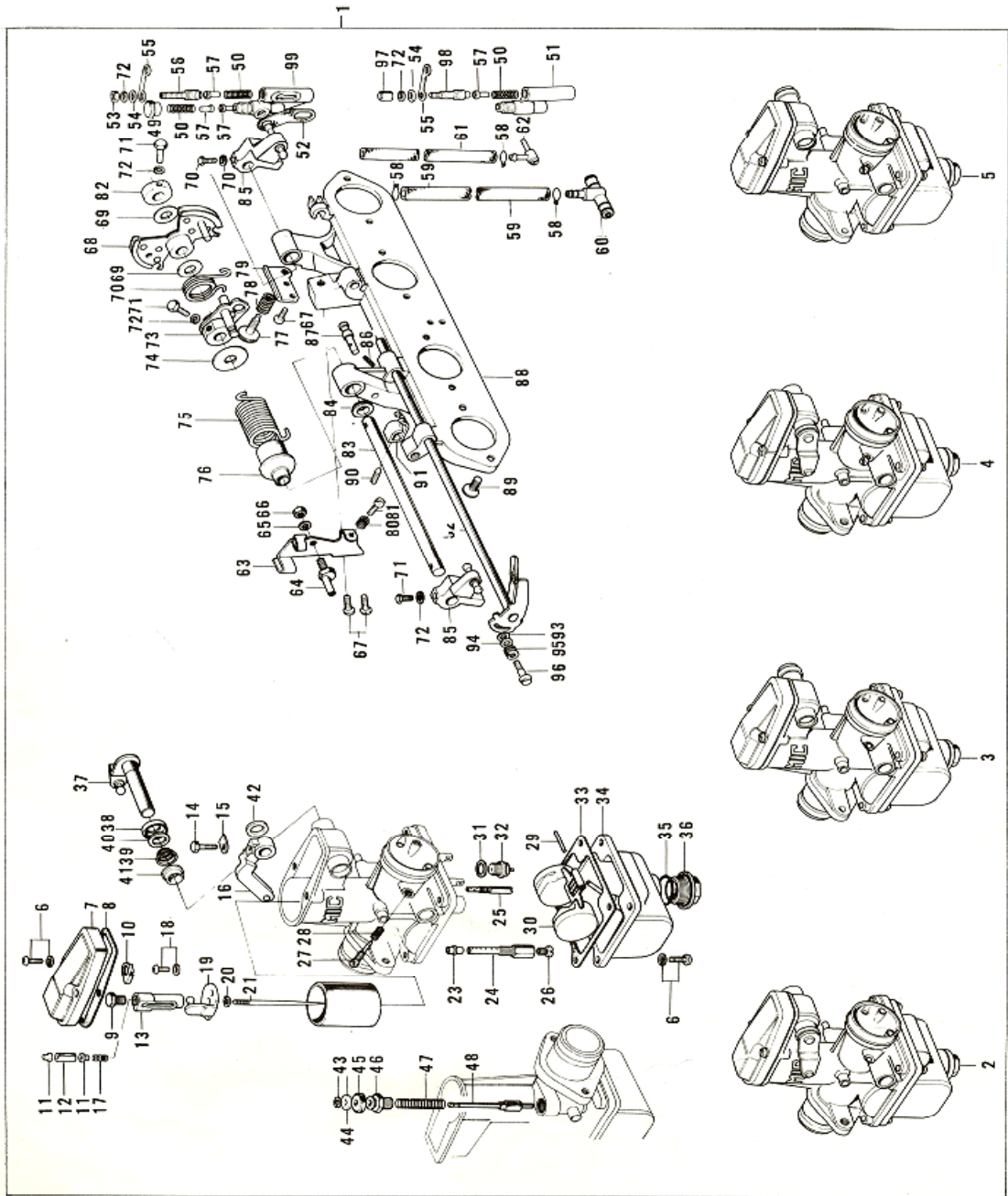


## 12. Carburetors 2/3

No.	Part No.	Q'TY	PART NAME	
41	16073-003	4	COLLAR, B	NLA
42	16039-013	4	WASHER, plain	NLA
43	16067-003	4	CIRCLIP	
44	16039-014	4	WASHER, plain	NLA
45	16039-015	4	WASHER, plain	
46	16012-015	4	CAP, starter plunger	
47	16013-008	4	SPRING, starter plunger	
48	16016-010	4	PLUNGER, starter	
49	16067-005	4	BOLT, C	NLA
50	16013-003	8	SPRING, C	
51	16065-018	2	HOLDER	NLA
52	16055-002	4	PLATE, dust	NLA
53	16003-007	3	NUT, 6mm	NLA
54	16039-016	4	WASHER, plain	
55	16054-005	2	WASHER, lock, C	
56	16021-018	3	ADJUSTER, throttle	NLA
57	16057-003	12	SEAT, spring	NLA
58	92037-072	6	CLAMP, fuel pipe	
59	92059-144	2	PIPE, fuel	
60	16046-002	2	JOINT, fuel pipe	
61	92059-085	2	PIPE, over flow	NLA
62	16046-003	2	JOINT, over flow pipe	NLA
63	16077-007	1	GUIDE, control cable	NLA
64	16042-005	1	PIN, screw stopper	NLA
65	461F0-600	1	WASHER, spring 6mm	
66	312B0-600	1	NUT, 6mm	
67	16033-016	6	SCREW, pan head, 5x14	NLA
68	16074-001	1	WHEEL, control cable	NLA
69	16039-017	2	WASHER, plain	NLA
70	16040-007	1	SPRING, D	NLA
71	16067-006	4	BOLT, hex head, 5x14	
72	416F0-500	4	WASHER, spring , 5mm	
73	16063-001	1	LEVER, A	NLA
74	16039-018	1	WASHER, plain	NLA
75	16040-008	1	SPRING, E	NLA
76	16073-005	1	COLLAR, D	NLA
77	16021-019	1	SCREW, throttle stop	NLA
78	16022-009	1	SPRING, throttle stop screw	NLA
79	16055-003	1	PLATE, throttle stop	NLA
80	16022-010	1	SPRING, throttle adjuster	
81	16021-020	1	ADJUSTER, throttle lever	NLA
82	16073-006	1	COLLAR, E	NLA
83	16041-004	1	SHAFT	NLA



### 12. Carburetors 3/3

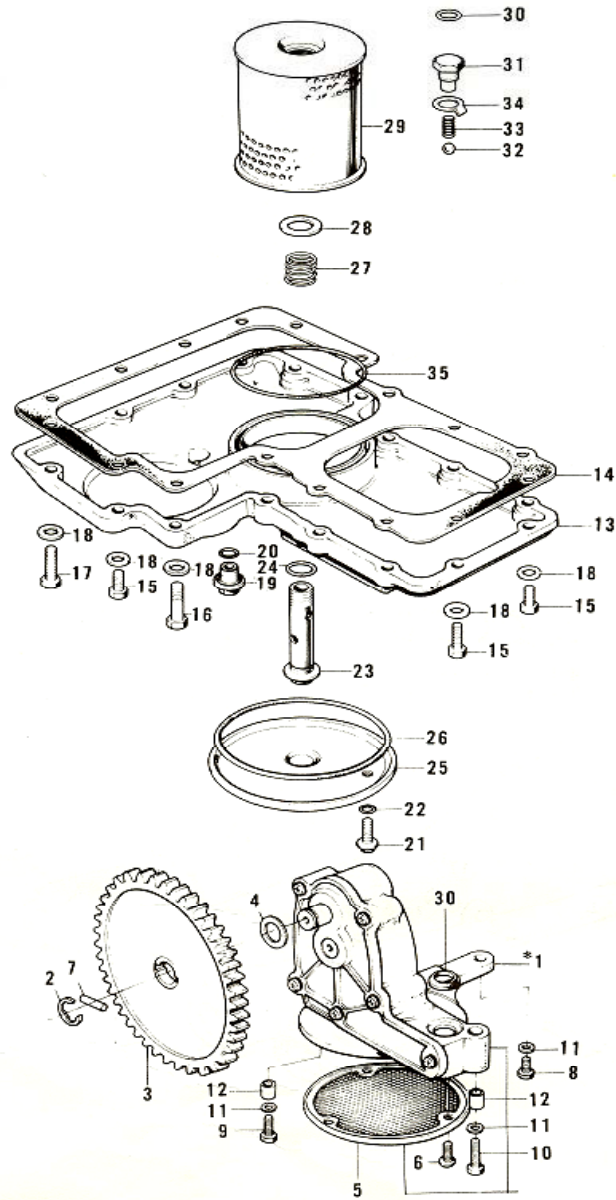


## 12. Carburetors 3/3

No.	Part No.	Q'TY	PART NAME	
84	16073-007	1	COLLAR, F	NLA
85	16063-002	2	LEVER, B	NLA
86	16023-004	1	PIN, cotter	NLA
87	16042-006	1	PIN, spring hook	NLA
88	16065-019	1	HOLDER, carburetor	NLA
89	221B0-612	8	SCREW, countersunk head, 6x12	
90	16046-004	4	SCREW, slotted	NLA
91	16063-003	4	LEVER, starter plunger	NLA
92	16041-005	1	SHAFT, starter plunger	NLA
93	16039-019	1	WASHER, plain	NLA
94	16039-020	1	WASHER, plain	NLA
95	16040-009	1	SPRING, F	
96	16046-005	1	SCREW, starter lever	NLA
97	16003-008	1	NUT, lock	NLA
98	16021-021	1	ADJUSTER, throttle stop	NLA
99	16065-020	2	HOLDER	NLA



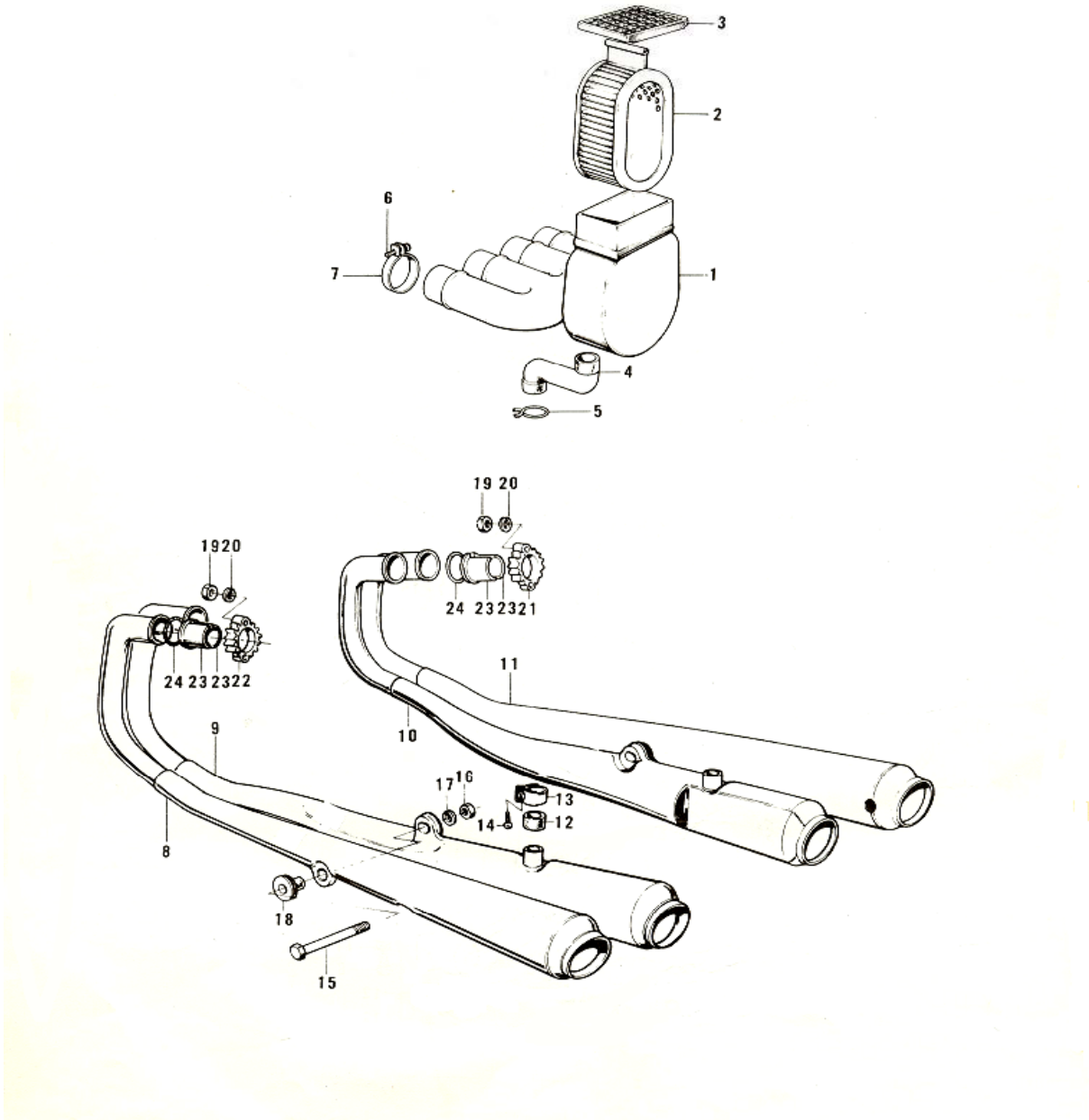
### 13. Oil Pump, Oil Filter



### 13. Oil Pump, Oil Filter

No.	Part No.	Q'TY	PART NAME	
1	16082-036	1	OIL PUMP ASSY	NLA
2	482K7-000	1	CIRCLIP, 7mm	
3	16085-019	1	GEAR, oil pump 49T	
4	92022-1415	1	WASHER, oil pump	
5	16111-002	1	STRAINER, oil pump	NLA
6	220B0-508A	3	SCREW, pan head, 5x8	
7	551A0-314	1	PIN, dowel, 3x14	
8	112G0-622	1	BOLT, hex head, 6x22	
9	110G0-635	1	BOLT, hex head, 6x35	
10	110G0-645	1	BOLT, hex head, 6x45	
11	410B0-600	3	WASHER, plain, 6mm	
12	92042-007	2	PIN, dowel, 3x14	
13	16110-002	1	PAN, oil	NLA
14	16112-002	1	GASKET, oil pan	
15	112G0-625	13	BOLT, hex head, 6x25	
16	112G0-635	3	BOLT, hex head, 6x35	
17	110G0-650	1	BOLT, hex head, 6x50	
18	410B0-600	17	WASHER, plain, 6mm	
19	92066-026	1	PLUG, oil drain	
20	670B2-022	1	O-RING, 22mm	
21	92066-024	1	PLUG, oil drain	
22	670B1-508	1	O-RING, 8mm	
23	92003-094	1	BOLT, oil filter	
24	670B2-016	1	O-RING, 16mm	
25	16101-002	1	COVER, oil filter	NLA
26	671B2-5105	1	O-RING, 105mm	
27	92081-108	1	SPRING, oil filter	
28	92022-220	1	WASHER, plain	
29	16099-002	1	ELEMENT, oil filter	
30	92055-048	2	O-RING	
31	92003-095	1	BOLT, check valve	
32	600A1-200	1	BALL, steel, 3/8"	
33	92081-109	1	SPRING, check valve	
34	92024-048	1	WASHER, lock	NLA
35	92055-052	1	O-RING, 91mm	

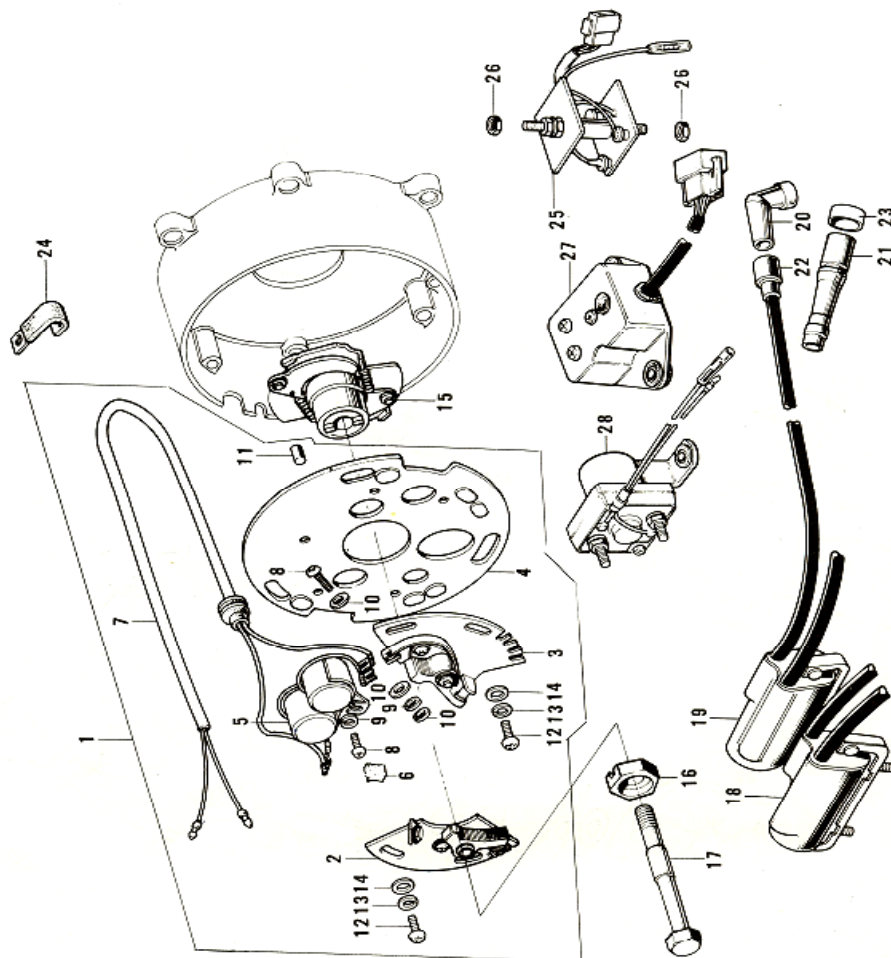
### 14. Muffler, Air Cleaner



## 14. Muffler, Air Cleaner

No.	Part No.	Q'TY	PART NAME	
1	11011-022	1	CASE, air cleaner	
2	11013-034	1	ELEMENT, air cleaner	
3	<del>11012-030</del>	1	CAP, air cleaner	NLA
4	92059-078	1	PIPE, breather	NLA
5	92037-028	1	CLAMP, breather pipe	
6	92123-002	4	CLAMP, air inlet	NLA
7	220B0-535A	4	SCREW, pan head, 5x35	
8	18001-073	1	MUFFLER ASSY, LH, UPPER	
9	18001-074	1	MUFFLER ASSY, LH, LOWER	
10	18001-075	1	MUFFLER ASSY, RH, LOWER	
11	18001-076	1	MUFFLER ASSY, RH, UPPER	
12	92059-079	2	PIPE, muffler connection	
13	92037-103	2	CLAMP, connection pipe	
14	220B0-616	2	SCREW, pan head, 6x16	
15	92003-131	2	BOLT, hex head, 10x108	
16	92019-004	2	NUT, lock, 10mm	
17	410B1-000	2	WASHER, plain, 10mm	
18	92092-010	4	BUSHING, muffler fitting	
19	310B0-600	8	NUT, 6mm	
20	461F0-600	8	WASHER, spring, 6mm	
21	18069-045	2	HOLDER, exhaust pipe	
22	18069-046	2	HOLDER, exhaust pipe	
23	92027-170	8	INSERT, exhaust pipe	
24	18067-018	4	GASKET, exhaust pipe	

### 15. Contact Breaker, Spark Advancer

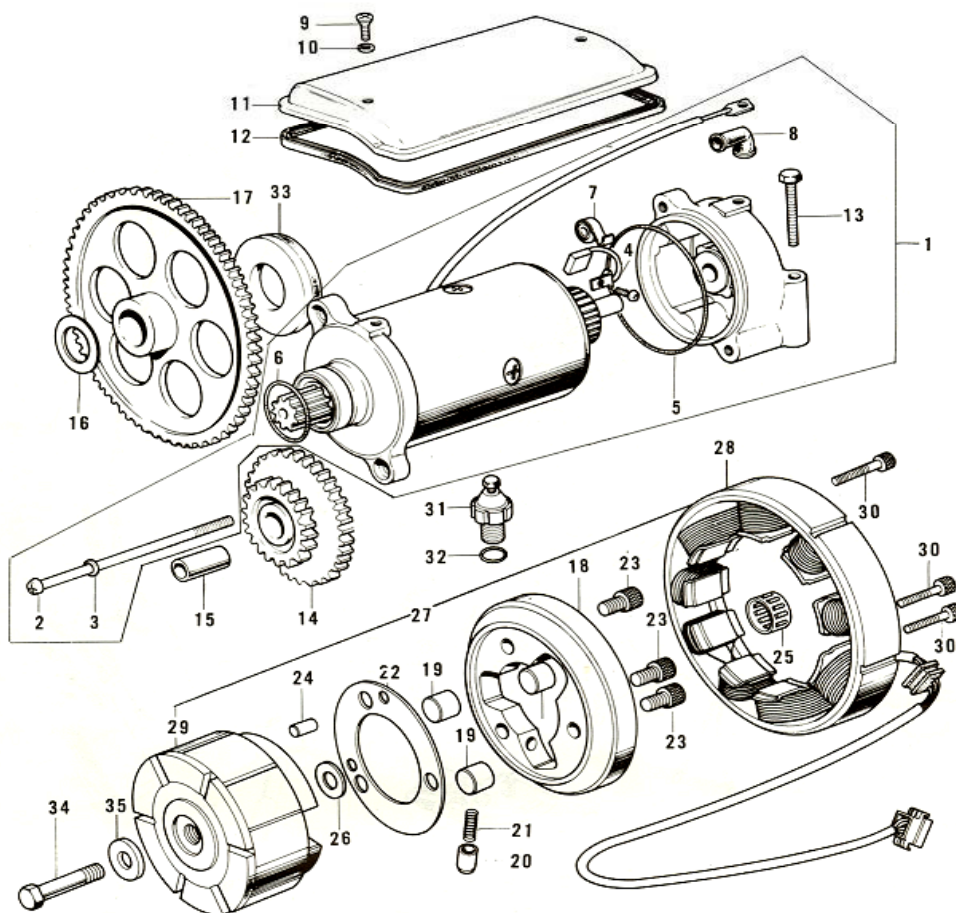


## 15. Contact Breaker, Spark Advancer

No.	Part No.	Q'TY	PART NAME	
1	21135-007	1	BREAKER ASSY, contact	
2	21008-021	1	BREAKER, contact	
3	21008-022	1	BREAKER, contact	
4	24021-003	1	PLATE, contact breaker	NLA
5	21013-029	1	CONDENSER	
6	24019-018	1	FELT, oil	NLA
7	24029-018	1	WIRING HARNESS, contact breaker	NLA
8	220B0-406A	9	SCREW, pan head, 4x6	
9	461F0-400	5	WASHER, spring, 4mm	
10	410B0-400	4	WASHER, plain, 4mm	
11	551A0-408	1	PIN, dowel, 4x8	
12	220B0-512A	3	SCREW, pan head, 5x12	
13	461F0-500	3	WASHER, Spring, 5mm	
14	410B0-500	3	WASHER, plain, 5mm	
15	21148-004	1	ADVANCER ASSY, spark	
16	92022-244	1	WASHER, spark advancer	
17	92001-113	1	BOLT, spark advancer	
18	21121-058	1	COIL, ignition #1+4	
19	21121-060	1	COIL, ignition #2+3	
20	21130-019 *	2	CAP, spark plug	
21	21130-020 *	2	CAP, spark plug	
22	21131-005	4	GROMMET, high tension cord	
23	21131-006	4	GROMMET, spark plug cap	
24	21126-007	8	CLAMP, high tension coard	
25	21061-012	1	RECTIFIER	NLA
26	310B0-600	2	NUT, 6mm	
27	21066-013	1	REGULATOR, voltage	
28	21164-001	1	SWITCH ASSY, magnetic	

\*            21160-005            4            CAP, spark plug            (entstört)

### 16. Starting Motor, Dynamo

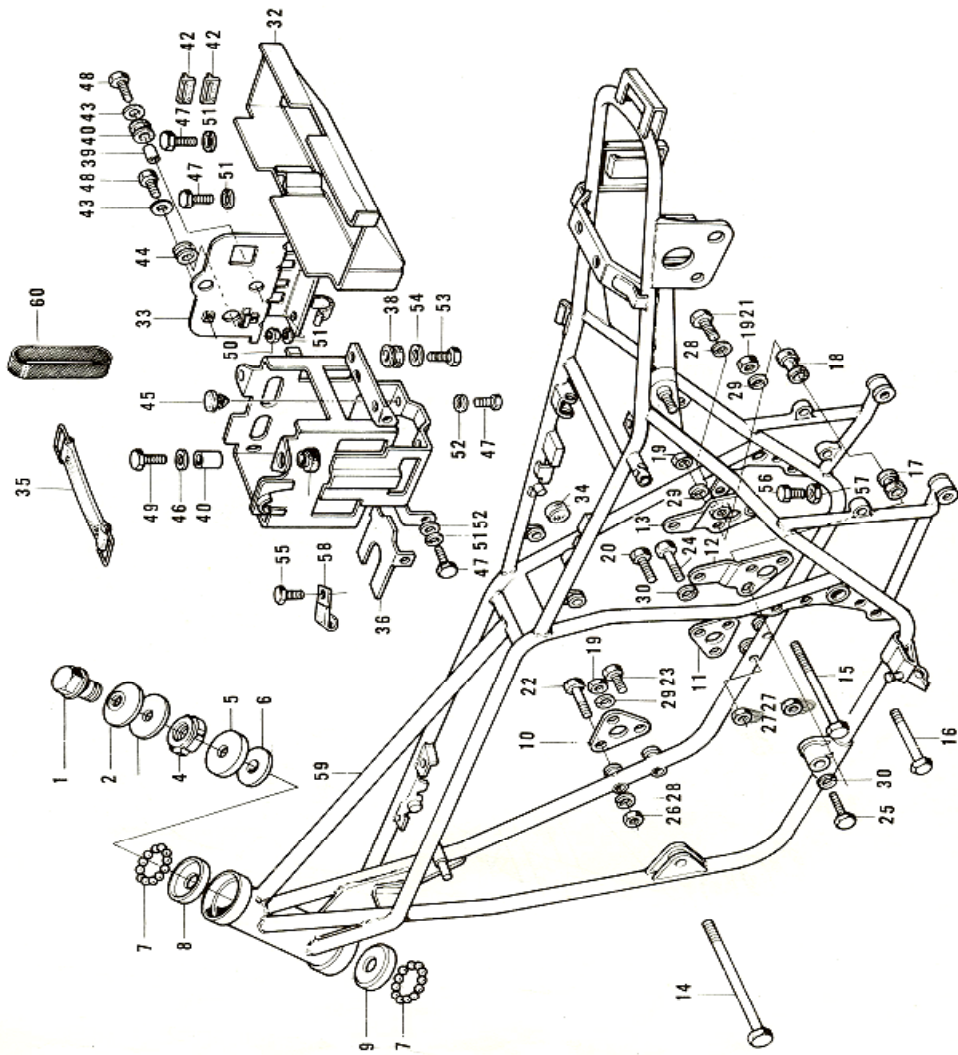




## 16. Starting Motor, Dynamo

No.	Part No.	Q'TY	PART NAME	
1	21163-001	1	MOTOR ASSY, starting	NLA
2	21015-005	2	SCREW, pan head, 6x110	NLA
3	461F0-600	2	WASHER, spring, 6mm	
4	21039-003	2	BRUSH, carbon	
5	21027-003	1	O-RING	
6	21027-004	1	O-RING, 24mm	
7	21040-003	2	SPRING, carbon brush	
8	21017-017	1	CAP, starting motor terminal	
9	110N0-610	2	BOLT, hex head, 6x10	
10	410B0-600	2	WASHER, plain, 6mm	
11	21165-001	1	COVER, starting motor	NLA
12	21166-001	1	GASKET, starting motor cover	
13	110B0-655	2	BOLT, hex head, 6x55	
14	21167-002	1	GEAR, starting motor	
15	13002-007	1	PIN, piston	
16	92026-091	1	WASHER, thrust, 22mm	NLA
17	21167-003	1	GEAR, starting clutch 71 T	
18	13194-003	1	CLUTCH, starting	
19	92122-001	3	ROLLER, 15mm	
20	92043-087	3	PLUG	
21	92081-110	3	SPRING	
22	92026-082	1	PLATE, clutch starting	NLA
23	92003-104	3	BOLT, 8x16	
24	551A0-622	1	PIN, dowel, 6x22	NLA
25	92046-033	1	NEEDLE BEARING, K222620	NLA
26	92026-092	1	WASHER, plain, 22mm	
27	21001-024	1	DYNAMO ASSY	NLA
28	21007-014	1	STATOR ASSY	NLA
29	21007-023	1	ROTOR	NLA
30	120S0-635	3	BOLT, 6x35	
31	16144-002	1	SWITCH ASSY, oil pressure	
32	92055-055	1	O-RING, oil pressure switch	
33	92075-193	AR	DAMPER RUBBER 7.3t	
34	114G0-840	1	BOLT, hex head, 8x40	
35	92022-218	1	WASHER, plain, 8mm	NLA

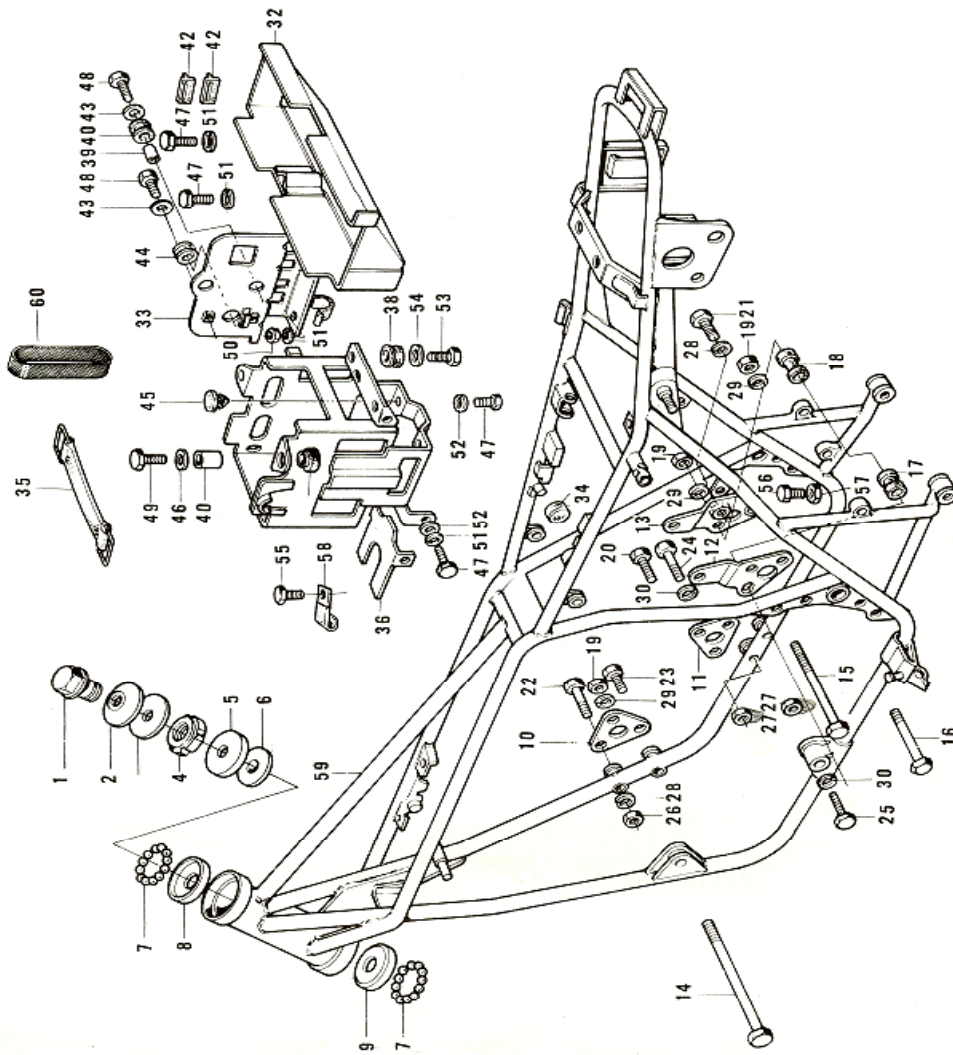
# 17. Frame 1/2



## 17. Frame 1/2

No.	Part No.	Q'TY	PART NAME	
1	92007-031	1	BOLT, steering stem head	
2	92022-230	1	WASHER, steering stem head	
3	46100-003	1	WASHER, wave	
4	92090-007	1	NUT, steering stem head	
5	46098-010	1	CAP, steering stem head	
6	92047-011	1	CONE, steering stem head upper	
7	600A0-800	39	BALL, steel, 1/4"	
8	92048-008	1	RACE, steering stem head upper	
9	92048-006	1	RACE, steering stem head lower	
10	32030-025	1	PLATE, engine mounting, front	NLA
11	32030-026	1	PLATE, engine mounting, lower	NLA
12	32030-027	1	PLATE, engine mounting, LH	NLA
13	32030-028	1	PLATE, engine mounting, RH	NLA
14	92091-022	1	BOLT, engine mounting, 310mm	
15	92091-023	1	BOLT, engine mounting, 250mm	
16	92003-099	1	BOLT, engine mounting, 165mm	
17	92027-159	1	COLLAR, engine mounting, 52mm	NLA
18	92027-160	1	COLLAR, engine mounting, 31mm	
19	92019-004	3	NUT, self locking, 10mm	
20	110B0-818	2	BOLT, hex head, 8x18	
21	110G0-840	4	BOLT, hex head, 8x40	
22	410G0-856	1	BOLT, hex head, 8x56	NLA
23	110G0-863	1	BOLT, hex head, 8x63	
24	413B1-256A	1	BOLT, hex head, 12x56	NLA
25	413B1-271A	1	BOLT, hex head, 12x71	NLA
26	311B0-800	2	NUT, 8mm	
27	92016-045	2	NUT, 12mm	
28	461F0-800	6	WASHER, spring, 8mm	
29	461F1-000	3	WASHER, spring, 10mm	
30	461F1-200	2	WASHER, spring, 12mm	
31	32097-022	1	CASE, battery	NLA
32	32098-019	1	CASE, tool	NLA
33	32129-001	1	BRACKET, electric case	NLA
34	92075-141	2	RUBBER, battery case	NLA
35	92072-045	1	BAND, battery	
36	32105-005	1	STAY, air cleaner	NLA
37	92075-146	2	RUBBER, battery case	NLA
38	92075-161	2	DAMPER RUBBER	
39	92027-165	2	COLLAR, electric base bracket	
40	92027-156	2	COLLAR, battery case	
41	92075-149	2	RUBBER, electric base bracket	
42	32103-003	2	SEAT, rectifier rubber	
43	92022-125	4	WASHER, plain, 6mm	

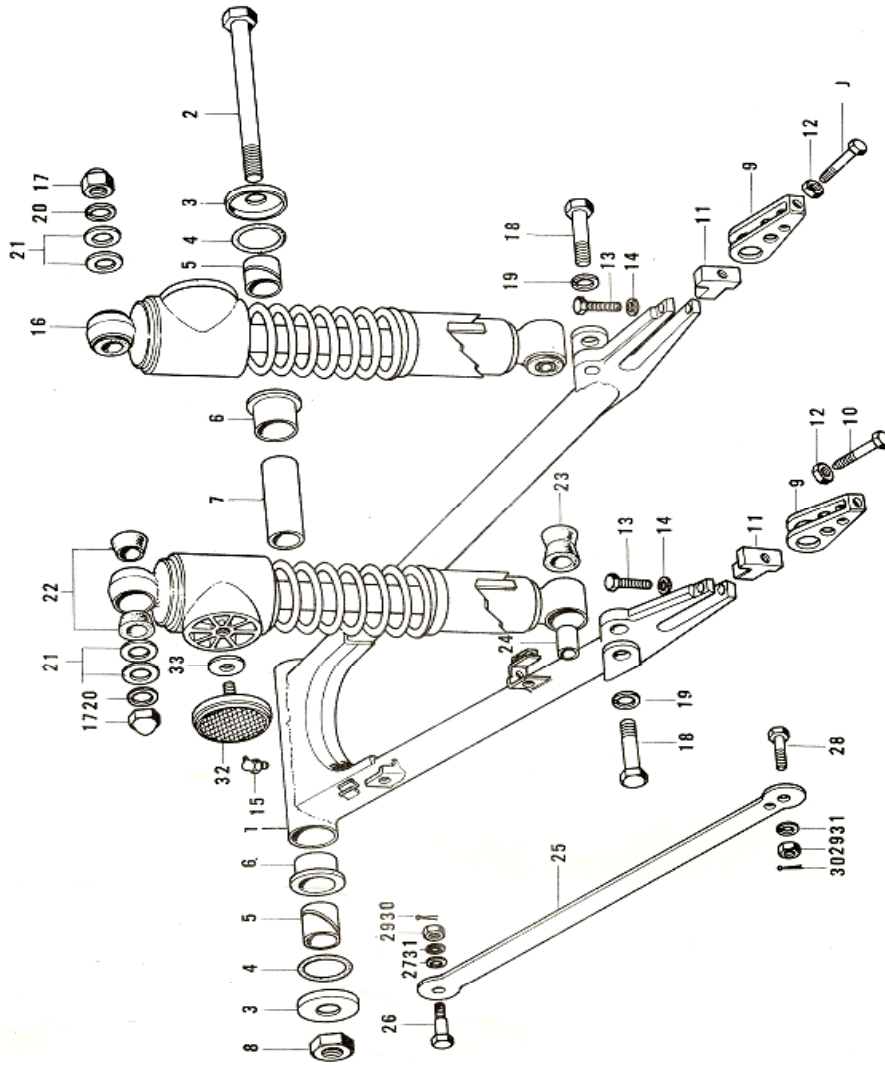
# 17. Frame 2/2



## 17. Frame 2/2

No.	Part No.	Q'TY	PART NAME	
44	92075-051	1	DAMPER RUBBER	
45	92075-078	4	RUBBER, battery case	
46	92022-024	2	WASHER, plain, 6mm	
47	116B0-614	6	BOLT, hex head, 6x14	
48	116B0-616	4	BOLT, hex head, 6x16	
49	112G0-625	2	BOLT, hex head, 6x25	
50	312B0-600	2	NUT, 6mm	
51	461F0-600	6	WASHER, spring, 6mm	
52	411B0-600	2	WASHER, plain, 6mm	
53	92001-115	2	BOLT, hex head, 6x14	
54	410B0-800	2	WASHER, plain, 8mm	
55	116B0-610	1	BOLT, hex head, 6x10	
56	116B0-620	1	BOLT, hex head, 6x20	
57	310B0-600	1	NUT, 6mm	
58	21126-007	1	CLAMP	
59	<del>32002-055</del>	1	FRAME	NLA
60	92072-057	1	PROTECTOR, battery	NLA

### 18. Swinging Arm, Rear Shock Absorber

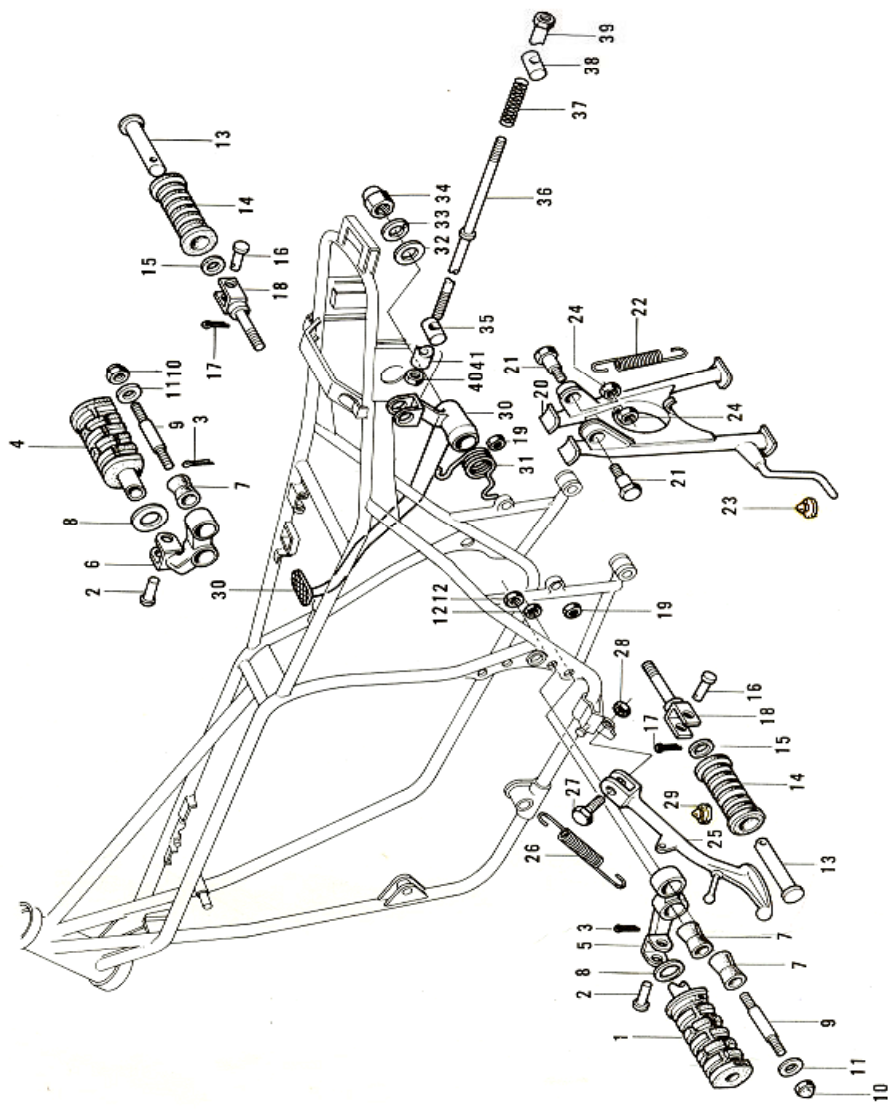


## 18. Swinging Arm, Rear Shock Absorber

No.	Part No.	Q'TY	PART NAME	
1	33001-046	1	SWINGING ARM	NLA
2	33032-036	1	SHAFT, swinging arm pivot	
3	33035-003	2	CAP, swinging arm	
4	671B2-530	2	O-RING, 30mm	
5	33034-009	2	SLEEVE, swinging arm	
6	33033-009	2	BUSHING, swinging arm	
7	33036-005	1	COLLAR, swinging arm	
8	92019-012	1	NUT, lock 16mm	
9	33040-049	1	ADJUDUSTER, chain	NLA
10	92001-038	2	BOLT, chain adjuster	
11	33044-001	2	STOPPER, chain adjuster	
12	312B0-800	2	NUT, 8mm	
13	110G0-840	2	BOLT, hex head, 8x40	
14	416F0-800	2	WASHER, spring, 8mm	
15	92005-002	1	NIPPLE, grease	
16	45014-072	2	SHOCK ABSORBER	NLA
17	92020-014	2	NUT, shock absorber fitting	
18	113N1-035	2	BOLT, hex head, 10x35	
19	461F1-000	2	WASHER, spring, 10mm	
20	461F1-200	2	WASHER, spring, 12mm	
21	410B1-200	4	WASHER, plain, 12mm	
22	45017-001	4	BUSHING, shock absorber rubber	
23	45017-011	2	BUSHING, shock absorber rubber	
24	45016-003	2	BUSHING, shock absorber pivot shaft	
25	43007-032	1	TORQUE LINK, rear brake	NLA
26	92003-103	1	BOLT, hex head, 8x28	NLA
27	411B1-000	1	WASHER, plain, 10mm	
28	92003-101	1	BOLT, hex head, 10x45	NLA
29	313B1-000	2	NUT, 10mm	
30	92041-005	2	PIN, cotter	
31	461F1-000	2	WASHER, spring, 10mm	
32	28012-008	2	REFLECTOR, reflex	NLA
33	92049-011	2	RUBBER, reflector	



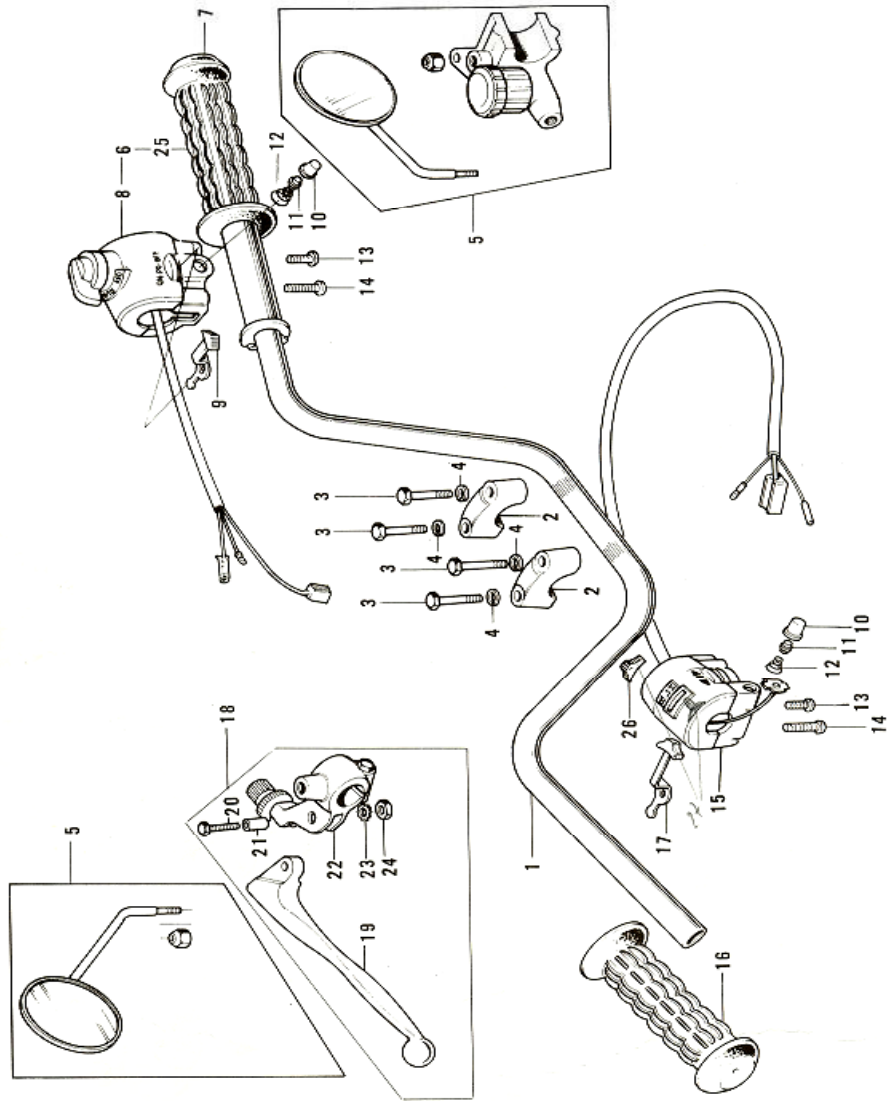
### 19. Footrests, Stands, Brake Pedal



## 19. Footrests, Stands, Brake Pedal

No.	Part No.	Q'TY	PART NAME	
1	34028-011	1	BAR, footrest, LH	NLA
2	92043-080	2	PIN, footrest bar fitting	
3	550D2-515	2	PIN, cotter, 2.5x15	
4	34028-012	1	BAR, footrest, RH	NLA
5	34003-036	1	BRACKET, footrest bar, LH	NLA
6	34003-037	1	BRACKET, footrest bar, RH	NLA
7	92075-140	4	RUBBER, footrest bar	
8	92022-204	2	WASHER, plain	NLA
9	92004-048	4	STUD, footrest bar fitting	NLA
10	92019-013	4	NUT, lock, 8mm	
11	92102-010	4	CAP, footrest bar	
12	315B1-000	4	NUT, 10mm	
13	34028-010	2	BAR, rear footrest	
14	92076-024	2	RUBBER, rear footrest	
15	92022-199	2	WASHER, plain	
16	92043-079	2	PIN, rear footrest fitting	
17	550D2-012	2	PIN, cotter, 2.0x12	
18	33028-011	2	BRACKET, rear footrest	NLA
19	315B1-200A	2	NUT, 12mm	
20	34011-029	1	STAND, main	NLA
21	34019-014	2	SHAFT, main stand	NLA
22	34023-012	1	SPRING, main stand	
23	92075-015	1	RUBBER, main stand	
24	92016-044	2	NUT, 12mm	
25	34024-038	1	STAND, side	NLA
26	34025-005	1	SPRING, side stand	
27	92003-079	1	BOLT, side stand	
28	315B1-000	1	NUT, 10mm	
29	92075-157	1	RUBBER, side stand	
30	43001-044	1	PEDAL, brake	NLA
31	43005-021	1	SPRING, brake pedal	
32	92022-195	1	WASHER, plain	
33	461F0-800	1	WASHER, spring, 8mm	
34	92019-013	1	NUT, lock, 8mm	
35	92043-095	1	PIN, brake rod	
36	43011-017	1	ROD, brake	NLA
37	43012-001	1	SPRING, brake rod	
38	92043-065	1	PIN, brake rod	
39	92015-056	1	NUT, brake rod adjuster	
40	92019-008	1	NUT, lock	
41	92027-177	1	PIN, brake rod	

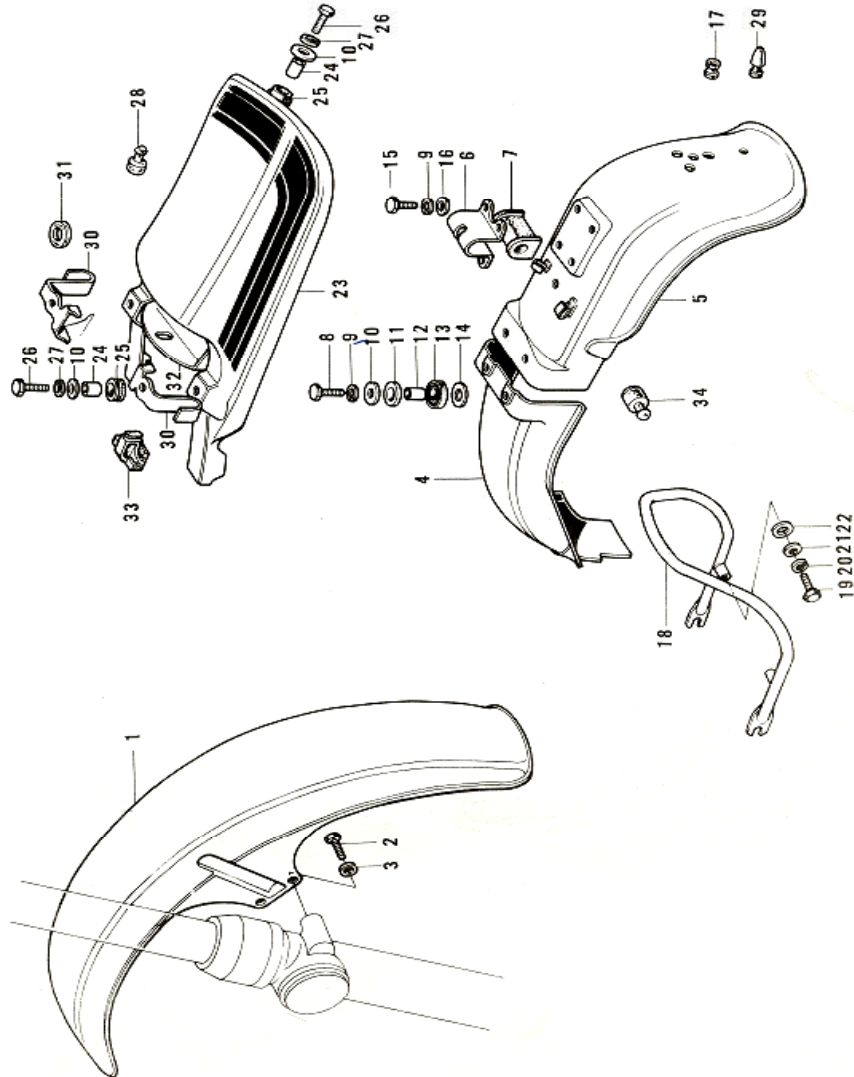
## 20. Handlebar, Grips



## 20. Handlebar, Grips

No.	Part No.	Q'TY	PART NAME	
1	46003-029	1	HANDLEBAR	
2	46012-008	2	HOLDER, handlebar	
3	92007-002	4	BOLT, handlebar fitting	
4	461F0-800	4	WASHER, spring, 8mm	
5	56002-021	2	REAR VIEW MIRROR ASSY	
6	46018-025	1	GRIP ASSY, throttle	NLA
7	46061-012	1	RUBBER, throttle grip	
8	46132-001	1	CASE ASSY, RH	NLA
9	46043-004	1	KNOB ASSY, lighting switch	NLA
10	46028-003	2	BUTTON, horn push	
11	46079-003	2	CONTACT, horn button	
12	46031-005	2	SPRING, horn button	
13	220B0-520A	2	SCREW, pan head, 5x20	
14	220B0-530A	2	SCREW, pan head, 5x30	
15	46091-009	1	CASE ASSY, LH	NLA
16	46075-017	1	RUBBER, LH, grip	
17	46043-005	1	KNOB ASSY, lighting switch	NLA
18	46076-025	1	LEVER ASSY, clutch	NLA
19	46092-016	1	LEVER, clutch	
20	92007-020	1	BOLT, hex head, 5x20	
21	46059-011	1	COLLAR, lever	
22	46094-0112-1	1	HOLDER, clutch lever, Flat Black	
23	464H0-500	1	WASHER, lock	NLA
24	312B0-500A	1	NUT, 5mm	
25	46019-025	1	GRIP ASSY, RH	NLA
26	46044-013	1	KNOB, light switch, LH	

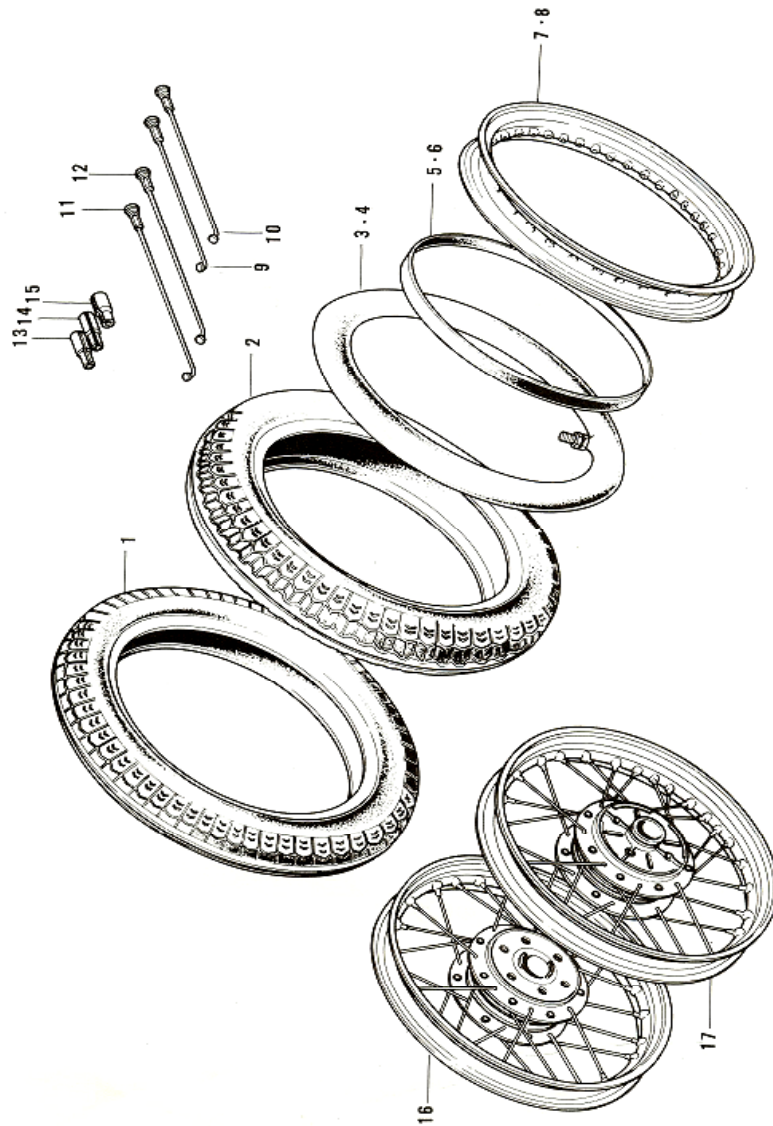
## 21. Fender



## 21. Fender

No.	Part No.	Q'TY	PART NAME	
1	35003-015	1	FENDER, front	
2	110B0-816	4	BOLT, hex head, 8x16	
3	461F0-800	4	WASHER, spring, 8mm	
4	35022-071	1	FENDER, rear	NLA
5	35022-072	1	FENDER, rear	
6	35026-006	1	BRACKET, rear fender	NLA
7	92075-132	1	RUBBER, rear fender	NLA
8	110B0-632	2	BOLT, hex head, 6x32	NLA
9	461F0-600	6	WASHER, spring, 6mm	
10	92022-228	4	WASHER, plain, 6mm	
11	92075-121	2	RUBBER, rear fender	
12	92027-162	2	COLLAR, rear fender	
13	92075-133	2	RUBBER, rear fender	
14	92022-227	2	WASHER, plain, 6mm	
15	116B0-616	4	BOLT, hex head, 6x16	
16	411B0-600	4	WASHER, plain, 6mm	
17	92071-019	1	GROMMET, harness, 10mm	
18	35032-022	1	STAY, rear fender	
19	113B1-022	2	BOLT, hex head, 10x22	
20	461F1-000	2	WASHER, spring, 10mm	
21	411B1-000	2	WASHER, plain, 10mm	
22	92022-044	2	WASHER, plain, 10mm	
23	53043-0049-6	1	COVER, RR fender, Candy. Brown	
23	53043-0049-7	1	COVER, RR fender, Candy. L.Green	NLA
24	92027-162	4	COLLAR, fender cover	
25	92075-174	4	RUBBER, fender cover	
26	116B0-625	4	BOLT, hex head, 6x25	
27	416F0-600	4	WASHER, spring, 6mm	
28	92074-022	2	PLUG, rear fender cover	
29	92075-266	1	RUBBER, rear fender	
30	33122-010	2	BRACKET, helmet holder	NLA
31	92075-175	4	DAMPER RUBBER	
32	32099-010	1	CASE	NLA
33	92074-024	1	PLUG	NLA
34	92075-135	2	RUBBER	

## 22. Wheels

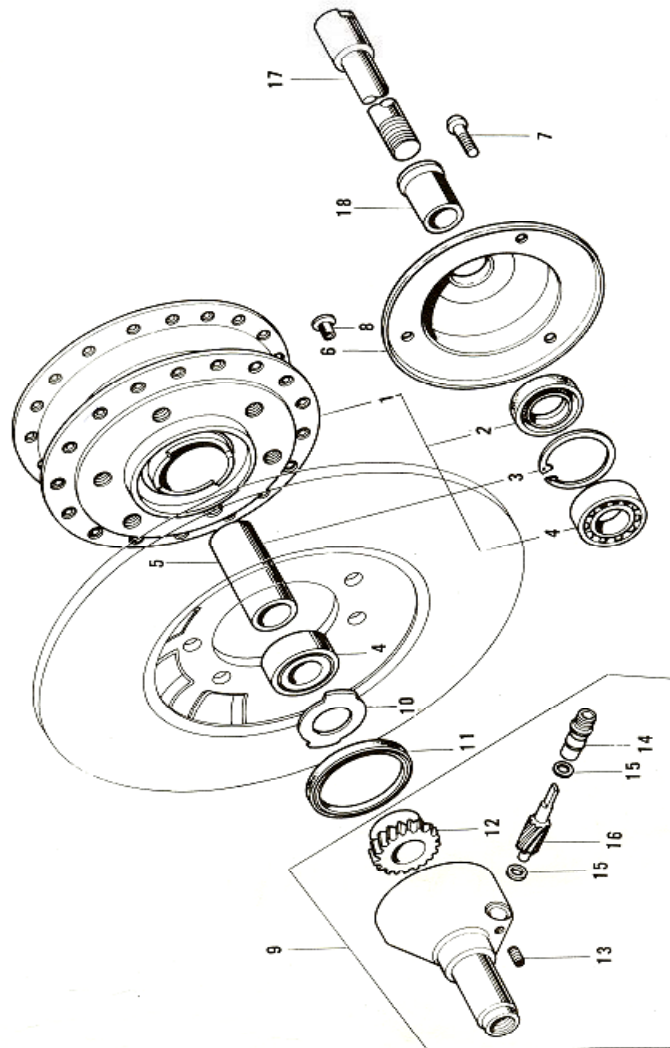




## 22. Wheels

No.	Part No.	Q'TY	PART NAME	
1	-	1	TIRE, front 3.25-19	NLA
2	-	1	TIRE, rear 4.00-18	NLA
3	-	1	TUBE, front tire 3.24-19	NLA
4	-	1	TUBE, rear tire 4.00-18	NLA
5	41023-015	1	BAND, front rim	
6	41023-1070	1	BAND, rear rim	
7	41025-051	1	RIM, front 1.85Bx19W	NLA
8	41025-052	1	RIM, rear 2.15Bx18W	NLA
9	41027-057	20	SPOKE ASSY, front inner	
10	41057-057	20	SPOKE ASSY, front outer	
11	41027-043	20	SPOKE ASSY, rear inner	
12	41028-042	20	SPOKE ASSY, rear outer	
13	41075-001	AR	WEIGHT, wheel balance, 10g	
14	41075-002	AR	WEIGHT, wheel balance, 20g	
15	41075-003	AR	WEIGHT, wheel balance, 30g	
16	41074-031	1	WHEEL ASSY, front	NLA
17	42048-023	1	WHEEL ASSY, rear	NLA

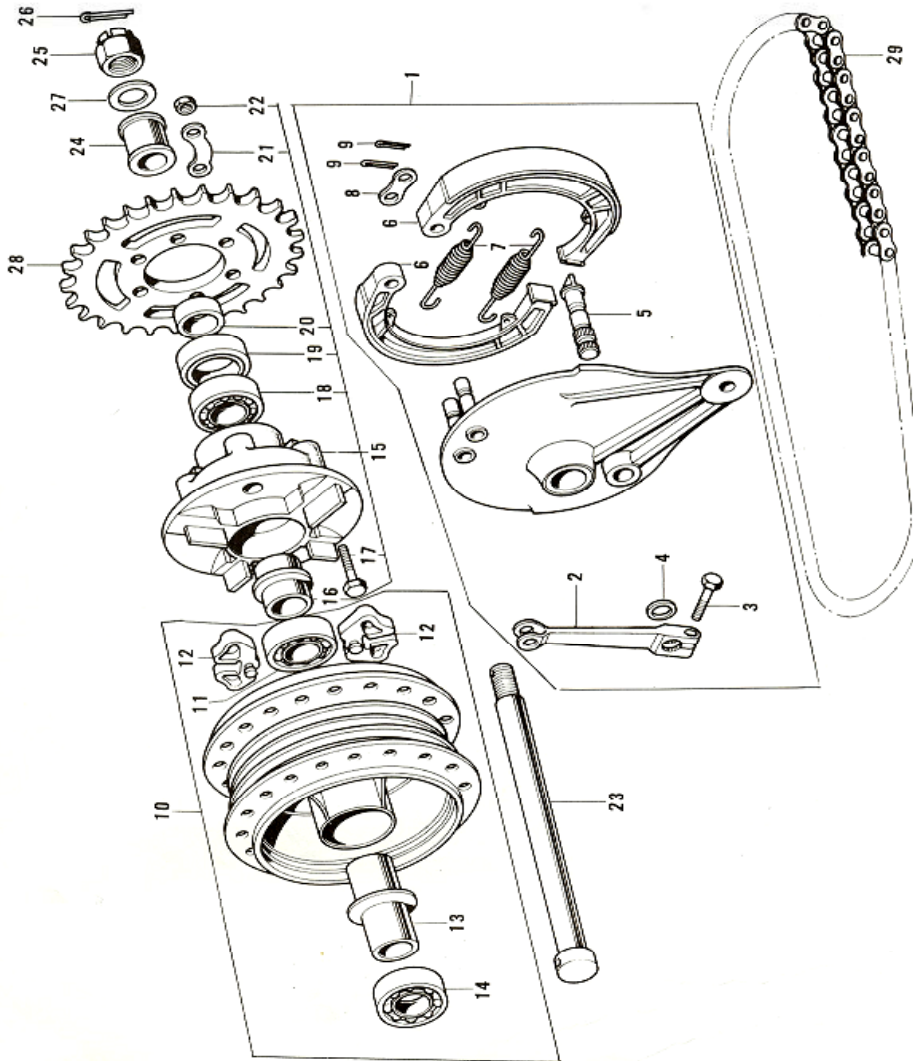
### 23. Front Hub



## 23. Front Hub

No.	Part No.	Q'TY	PART NAME	
1	<del>41034-0212-1</del>	1	DRUM ASSY, front brake, Flat black	NLA
2	<del>92050-003</del>	1	OIL SEAL, front drum	NLA
3	481J4-000	1	CIRCLIP, 40mm	
4	601B6-203	2	BEARING, ball, #6203	
5	<del>41039-019</del>	1	SPACER, front hub bearing	NLA
6	<del>41042-009</del>	1	COVER, brake drum dust	NLA
7	222E0-508A	3	SCREW, oval countersunk head, 5x8	
8	<del>92102-006</del>	6	CAP, front drum hole	NLA
9	<del>41078-001</del>	1	GEAR BOX ASSY	NLA
10	<del>41064-007</del>	1	RECEIVER, speedometer gear	NLA
11	<del>92050-046</del>	1	OIL SEAL, VC50656	NLA
12	<del>41059-016</del>	1	GEAR, speedometer	NLA
13	41082-001	1	PIN, bushing set	
14	41062-005	1	BUSHING, speedometer cable	
15	41063-001	2	WASHER, thrust	
16	<del>41060-012</del>	1	PINION, speedometer	NLA
17	<del>41068-036</del>	1	AXLE, front	NLA
18	<del>41069-018</del>	1	COLLAR, front axle	NLA

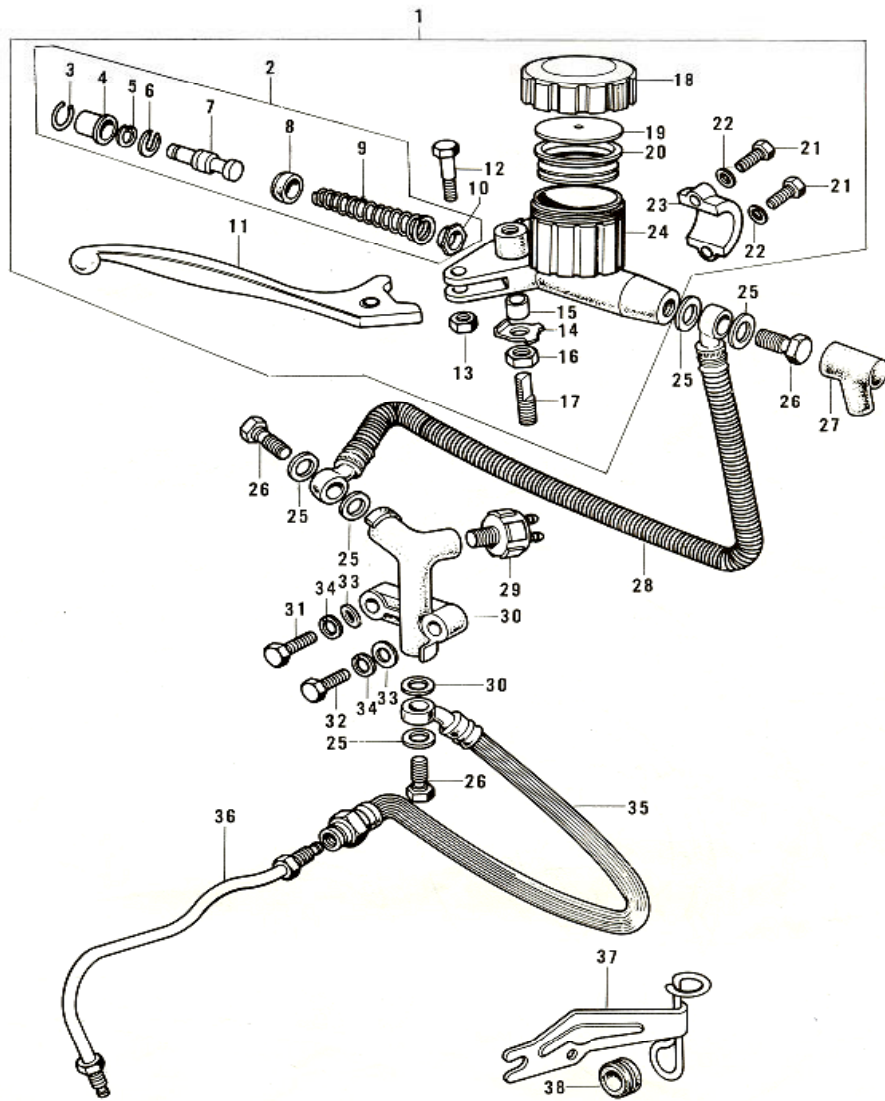
## 24. Rear Hub



## 24. Rear Hub

No.	Part No.	Q'TY	PART NAME	
1	42006-053	1	PANEL ASSY, rear brake, Flat black	NLA
2	42029-021	1	LEVER, rear brake cam	NLA
3	116B0-825	1	BOLT, hex head, 8x25	
4	41051-003	1	DUST SHIELD, brale cam	
5	41050-011	1	CAM SHAFT, rear brake	NLA
6	41048-014	2	SHOE, brake	NLA
7	41049-007	2	SPRING, brake shoe	
8	41045-006	1	WASHER, brake shoe	NLA
9	550D3-025	2	PIN, cotter, 3.0x25	
10	42005-030	1	DRUM ASSY, rear brake	NLA
11	601B6-304	1	BEARING, ball, #6304	
12	42014-021	6	SHOCK DAMPER, rear hub	
13	42010-021	1	SPACER, rear hub bearing	NLA
14	601B6-304Z	1	BEARING, ball, #6304Z	NLA
15	42008-013	1	COUPLING ASSY, rear hub	NLA
16	42036-015	1	SLEEVE, rear hub coupling	NLA
17	92003-100	6	BOLT, rear sprocket fitting	NLA
18	601B6-206	1	BEARING, ball, #6206	
19	92050-027	1	OIL SEAL	
20	42037-020	1	COLLAR, rear axle sleeve	NLA
21	92088-013	3	WASHER, lock, 10mm	
22	42025-005	6	NUT, 10mm	
23	42031-034	1	AXLE, rear	
24	42032-037	1	COLLAR, rear axle	NLA
25	42045-018	1	NUT, castle, 18mm	
26	550D4-035	1	PIN, cotter, 4.0x35	
27	92022-248	1	WASHER, plain, 20mm	
28	42041-118	1	REAR SPROCKET 35T	NLA
29	92057-018	1	CHAIN ASSY, EK630 - 92 Link	NLA

### 25. Disc Brake Equipement A

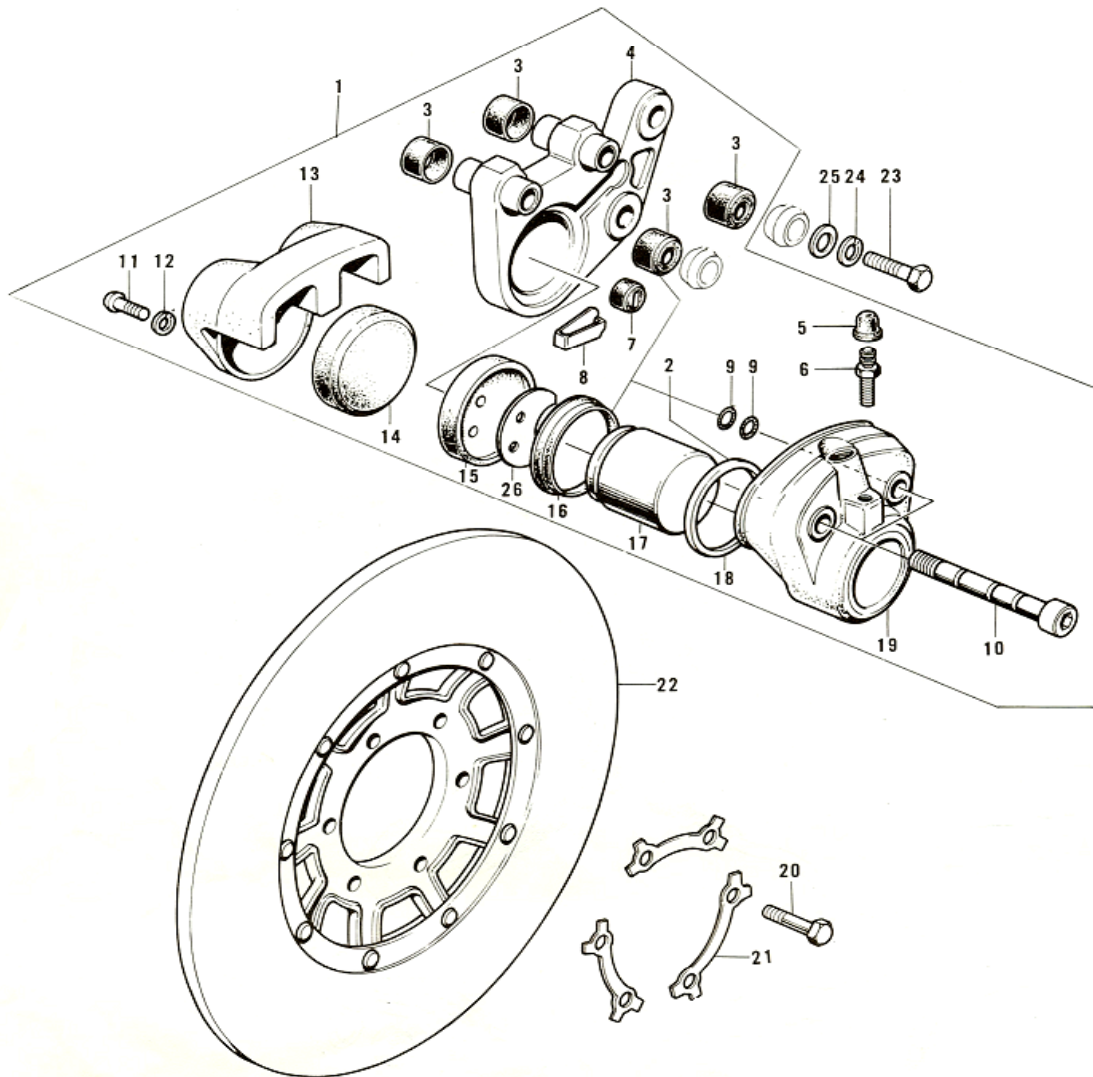


## 25. Disc Brake Equipment A

No.	Part No.	Q'TY	PART NAME	
1	43015-001	1	CYLINDER ASSY, master	NLA
2	43073-001	1	REPAIR SET, master cylinder	
3	43025-001	1	STOPPER, boots	NLA
4	43024-001	1	BOOTS	NLA
5	481J1-800	1	CIRCLIP, 18mm	
6	43022-001	1	STOPPER, piston	NLA
7	43072-001	1	PISTON ASSY	NLA
8	43019-001	1	CUP, primary	
9	43018-001	1	SPRING ASSY, return	NLA
10	43017-001	1	VALVE ASSY, check	NLA
11	43029-002	1	LEVER, front brake	
12	43003-001	1	BOLT, lever fitting	NLA
13	312B0-600	1	NUT, 6mm	
14	43031-001	1	WASHER, lock, 8mm	
15	43074-001	1	TUBE	NLA
16	311B0-800	1	NUT, 8mm	
17	43030-002	1	BOLT, lever adjusting	NLA
18	43026-001	1	CAP, oil cup	
19	43027-001	1	PLATE, master cylinder	
20	43028-001	1	DIAPHRAGM	
21	112N0-625	2	BOLT, hex head, 6x25	
22	411B0-600	2	WASHER, plain, 6mm	
23	43034-001	1	HOLDER, master cylinder	NLA
24	43016-001	1	BODY, master cylinder	NLA
25	43067-001	6	WASHER, oil bolt	
26	43066-001	3	BOLT, oil	
27	43069-001	1	COVER, dust	
28	43059-007	1	HOSE, front brake	
29	43065-001	1	SWITCH, front brake	
30	43061-002	1	JOINT, three way	NLA
31	110N0-632	1	BOLT, hex head, 6x32	NLA
32	110N0-640	1	BOLT, hex head, 6x40	
33	461F0-600	2	WASHER, spring, 6mm	
34	411B0-600	2	WASHER, plain, 6mm	
35	43059-011	1	HOSE, front brake	
36	43060-004	1	PIPE, front brake	
37	43063-001	1	BRACKET, brake hose	
38	43064-001	1	GROMMET, hose bracket	



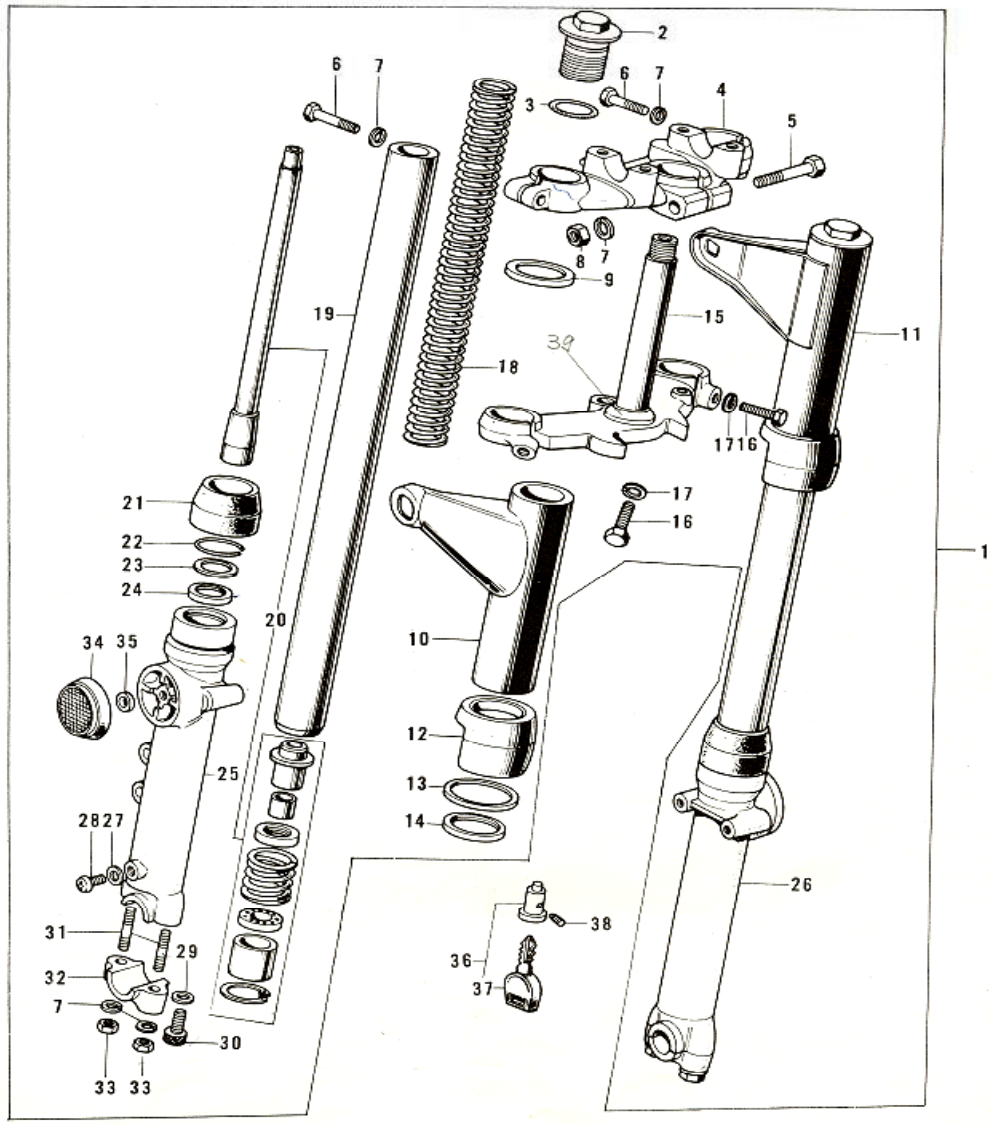
### 26. Disc Brake Equipment B



## 26. Disc Brake Equipment B

No.	Part No.	Q'TY	PART NAME	
1	43041-004	1	CALIPER ASSY	NLA
2	43073-004	1	REPAIR SET, caliper	NLA
3	43052-003	4	DUST SEAL, shaft	
4	43044-004	1	HOLDER, caliper	NLA
5	43057-003	1	CAP, breeder	
6	43056-003	1	BREEDER	
7	43047-001	1	BUSHING, rubber	
8	43046-001	1	STOPPER, pad A	NLA
9	43053-002	4	O-RING, shaft	
10	43045-003	2	SHAFT	NLA
11	220B0-612	1	SCREW, pan head, 6x12	
12	461F0-600	1	WASHER, spring, 6mm	
13	43043-003	1	CALIPER B	NLA
14	43051-001	1	PAD B	NLA
15	43050-002	1	PAD A	NLA
16	43054-002	1	DUST SEAL, piston	
17	43048-002	1	PISTON, caliper	NLA
18	43049-002	1	RING, piston seal	
19	43042-004	1	CALIPER A	NLA
20	92001-104	6	BOLT, hex head, 8x28	NLA
21	92088-014	3	WHASER, lock, 8mm	NLA
22	41080-001	1	DISC PLATE, front brake	NLA
23	43070-001	2	BOLT, hex head, 10x43	NLA
24	461F1-000	2	WASHER, spring, 10mm	
25	410B1-000	2	WASHER, plain, 10mm	
26	43076-001	1	SHIM	NLA

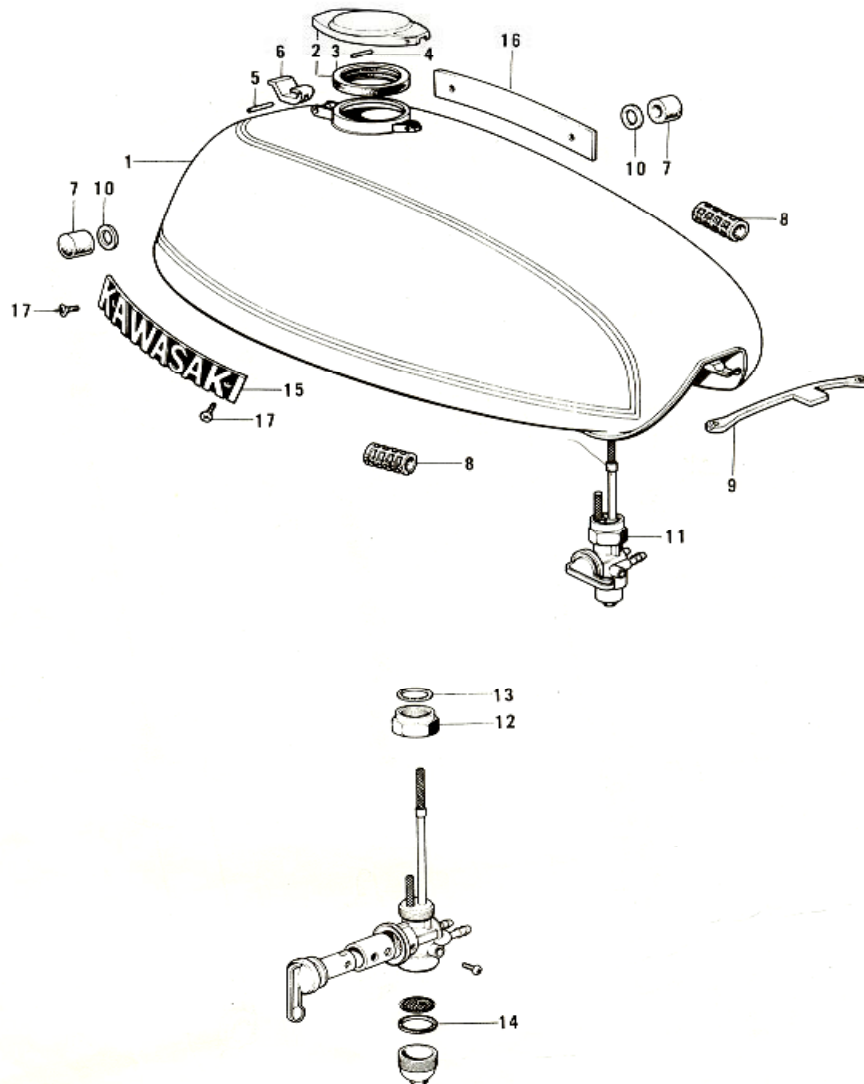
# 27. Front Fork



## 27. Front Fork

No.	Part No.	Q'TY	PART NAME	
1	44001-095	1	FRONT FORK ASSY	NLA
2	44062-003	2	BOLT, fork top	NLA
3	44046-015	2	O-RING, fork top	NLA
4	44039-045	1	HEAD, steering stem	NLA
5	44041-038	1	BOLT, hex head, 8x56	
6	44041-048	2	BOLT, hex head, 8x35	
7	461F0-800	7	WASHER, spring, 8mm	
8	310N0-800	1	NUT, 8mm	NLA
9	44064-005	2	WASHER, fork cover	
10	44033-046	1	COVER, LH fork	NLA
11	44034-046	1	COVER, RH fork	NLA
12	44064-006	2	GUIDE, fork cover	NLA
13	44064-008	2	WASHER, fork cover guide	NLA
14	44045-038	2	GASKET, fork cover	
15	44037-049	1	STEM, steering	NLA
16	92003-064	2	BOLT, hex head, 12x36	
17	461F1-200	2	WASHER, spring, 12mm	
18	44026-042	2	SPRING, fork	NLA
19	44013-037	2	TUBE, fork inner	
20	44022-010	2	CYLINDER, fork	NLA
21	44010-018	2	DUST SHIELD, fork	
22	44044-012	2	CIRCLIP	
23	44043-044	2	WASHER, plain	
24	44009-014	2	OIL SEAL	
25	44005-045	1	TUBE, LH fork outer	NLA
26	44006-043	1	TUBE, RH fork outer	NLA
27	44045-002	2	GASKET, fork drain	
28	220B0-408A	2	SCREW, pan head, 4x8	
29	44045-034	2	GASKET, fork cylinder bolt	
30	44041-040	2	BOLT, fork cylinder	
31	172G0-835	4	STUD, 8x35	
32	44063-003	2	HOLDER, front axle	NLA
33	311B0-800	4	NUT, 8mm	
34	28012-009	2	REFLECTOR, reflex	
35	92094-011	2	RUBBER, reflector	
36	27016-027	1	LOCK ASSY, steering	
37	27008-0465-1	1	KEY SET, #751	NLA
37	27008-0465-2	1	KEY SET, #752	NLA
37	27008-0465-3	1	KEY SET, #753	NLA
37	27008-0465-4	1	KEY SET, #754	NLA
37	27008-0465-5	1	KEY SET, #755	NLA
38	92014-016	1	SCREW, steering lock fitting	
39	92047-012	1	CONE, steering stem	

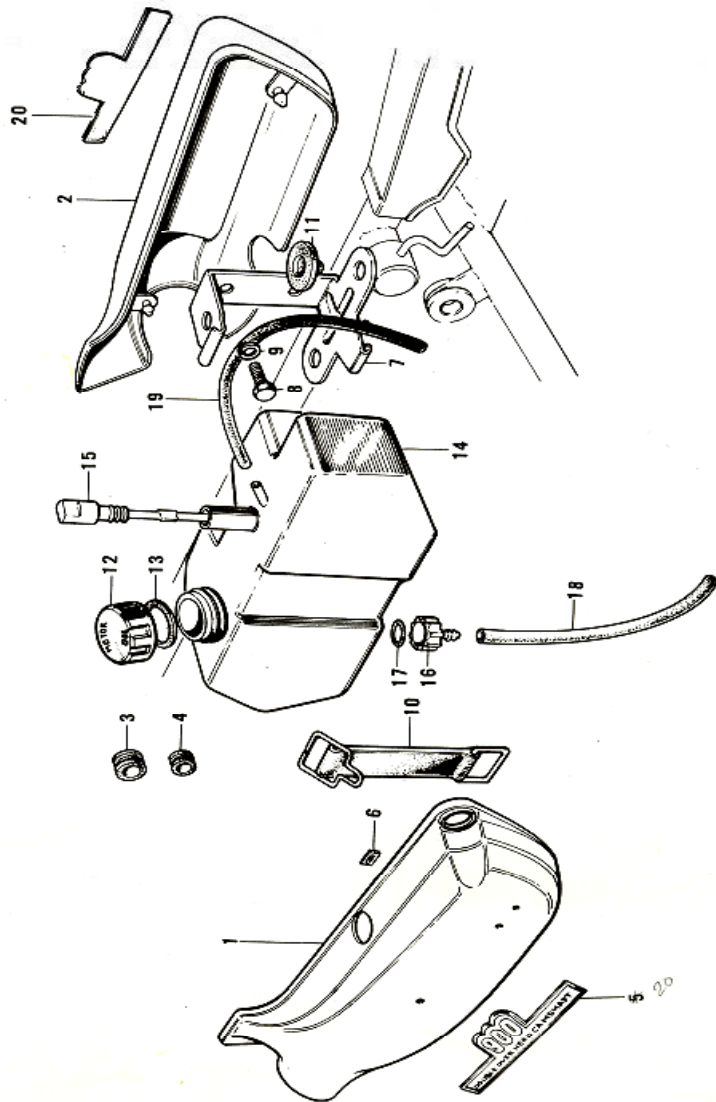
## 28. Fuel Tank



## 28. Fuel Tank

No.	Part No.	Q'TY	PART NAME	
1	51001-0779-6	1	TANK, fuel, Candytone Brown	
1	<del>51001-0779-7</del>	1	TANK, fuel, Candytone Yellow Green	<b>NLA</b>
2	51048-007	1	CAP ASSY, fuel tank	
3	51059-008	1	GASKET, fuel tank cap	
4	<del>92043-074</del>	1	PIN, fuel tank cap fitting	<b>NLA</b>
5	<del>92043-091</del>	1	PIN, hook	<b>NLA</b>
6	<del>51063-002</del>	1	HOOK, fuel tank	<b>NLA</b>
7	92075-125	2	RUBBER, fuel tank	<b>front</b>
8	92075-084	2	RUBBER, fuel tank	<b>rear</b>
9	92072-042	1	BAND, fuel tank	
10	92022-044	2	WASHER, plain, 25mm	
11	51023-028	1	COCK ASSY, fuel	
12	51035-009	1	NUT, fuel cock joint	
13	92065-081	1	GASKET, fuel cock joint	
14	51037-010	1	GASKET, fuel cock cup	
15	56013-045	1	EMBLEM, fuel tank LH	
16	56014-039	1	EMBLEM, fuel tank RH	
17	92012-003	4	SCREW, countersunk head 3x6	

### 29. Oil Tank, Side Covers

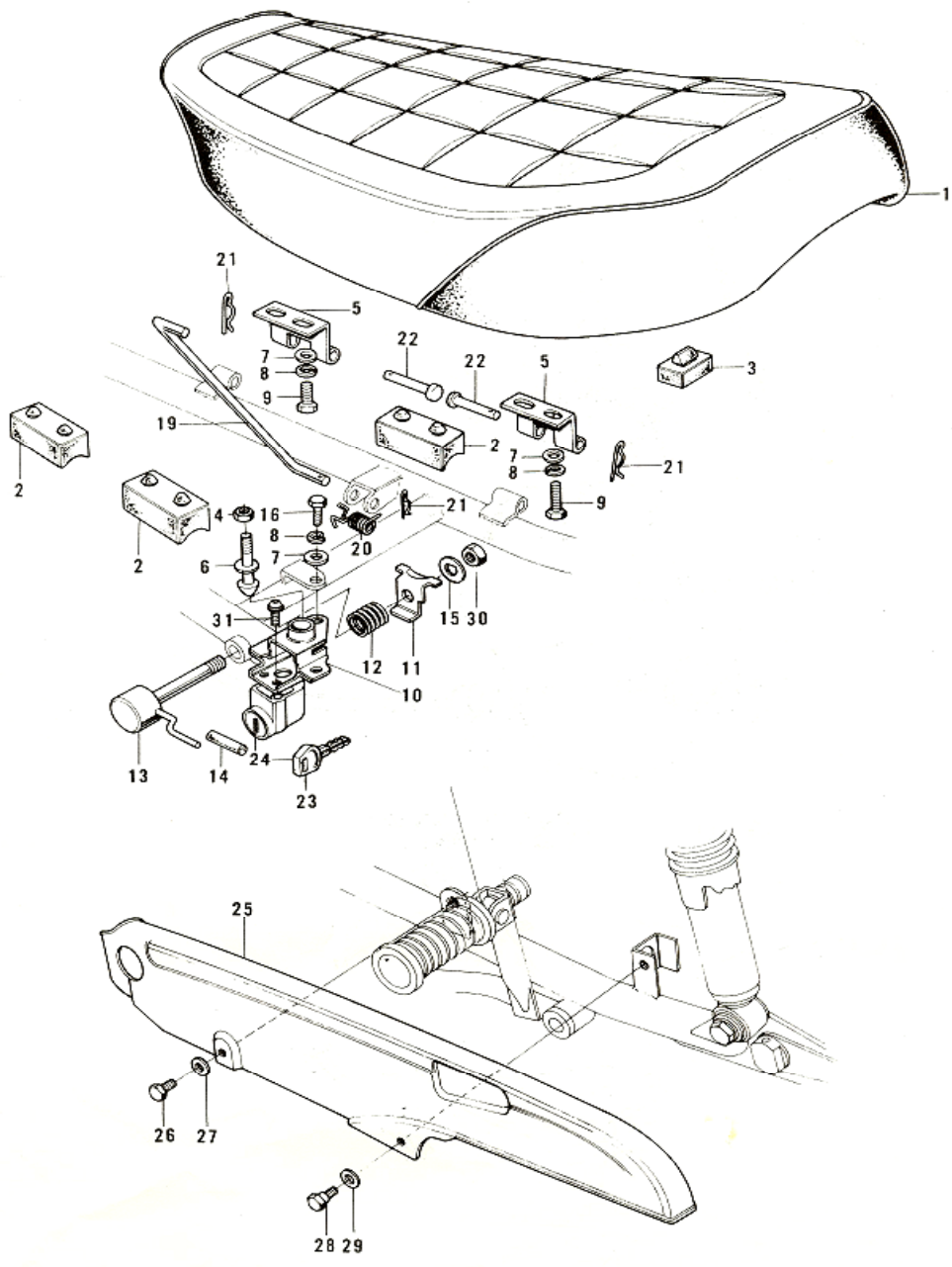




## 29. Oil Tank, Side Covers

No.	Part No.	Q'TY	PART NAME	
1	36001-0369-6	1	COVER, LH side, Candytone Brown	
1	<del>36001-0369-7</del>	1	COVER, LH side, Candytone Yellow Green	<b>NLA</b>
2	36001-0309-6	1	COVER, RH side, Candytone Brown	
2	<del>36007-0309-7</del>	1	COVER, RH side, Candytone Yellow Green	<b>NLA</b>
3	92071-056	5	GROMMET, side cover	
4	92071-064	1	GROMMET, side cover	
5	56018-148	1	EMBLEM, side cover, LH	
6	92018-003	6	NUT, 3mm	
7	<del>32131-001</del>	1	BRACKET, oil tank	<b>NLA</b>
8	116B0-612	2	BOLT, hex head, 6x12	
9	461F0-600	2	WASHER, spring, 6mm	
10	92072-045	1	BAND, oil tank	
11	92075-078	3	RUBBER, oil tank bracket	
12	52003-020	1	CAP, oil tank	
13	92065-086	1	GASKET, oil tank cap	
14	<del>52001-031</del>	1	TANK, oil	<b>NLA</b>
15	<del>52005-005</del>	1	GAUGE, oil level	<b>NLA</b>
16	52020-001	1	FILTER, oil tank	
17	670B2-015	1	O-RING, 15mm	
18	92059-071	1	PIPE, oil	
19	92059-057	1	PIPE, oil tank breather	
20	56018-139	1	EMBLEM, side cover, RH	

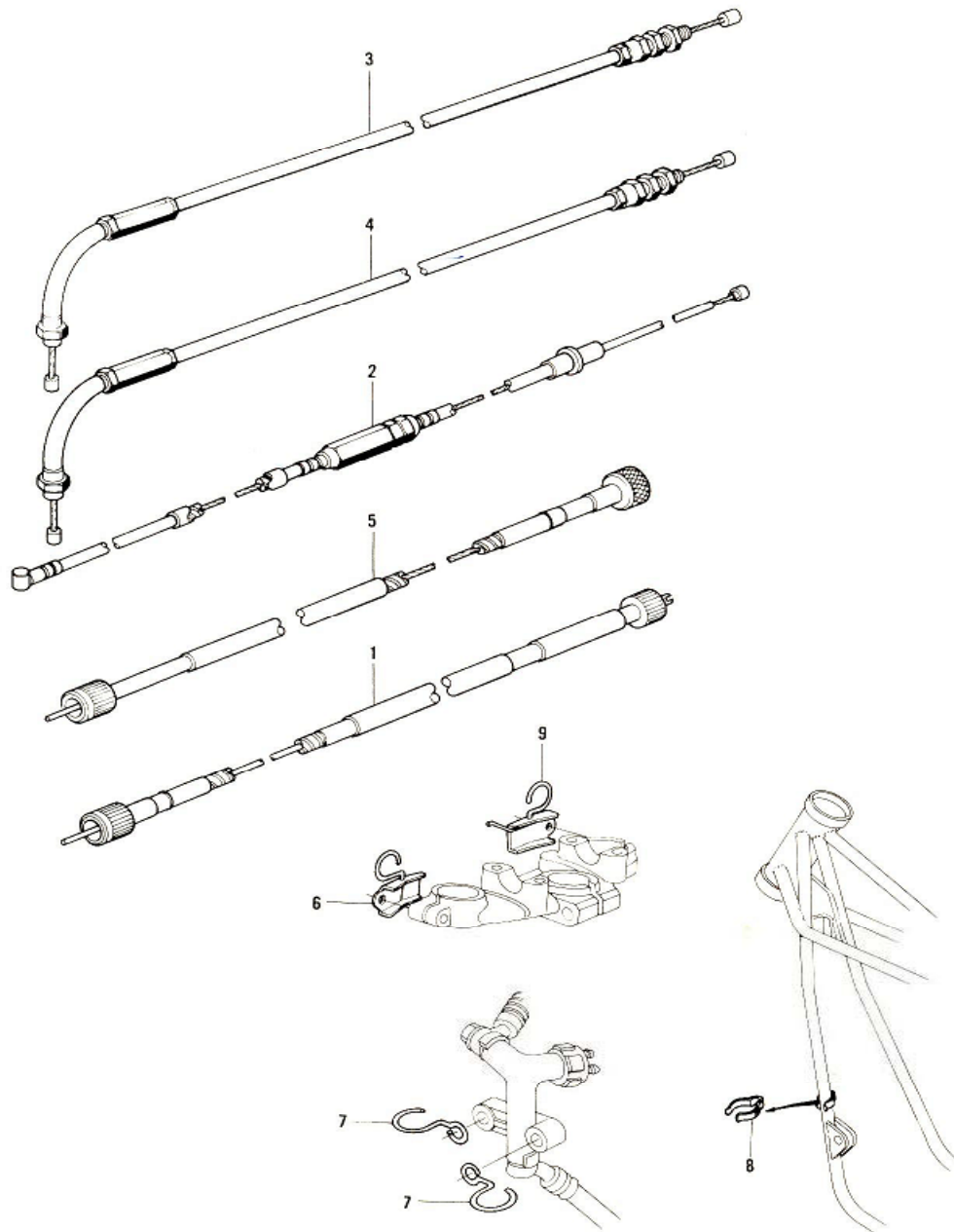
### 30. Dual Seat, Chain Cover



## 30. Dual Seat, Chain Cover

No.	Part No.	Q'TY	PART NAME	
1	53001-076	1	SEAT ASSY, dual	
2	92075-139	4	DAMPER RUBBER, seat	
3	92075-099	1	DAMPER RUBBER, seat	
4	312B0-800	1	NUT, 8mm	
5	<del>53009-017</del>	2	HINGE, seat	NLA
6	53056-001	1	CATCH, seat	
7	411B0-600	4	WASHER, plain, 6mm	
8	461F0-600	4	WASHER, spring, 6mm	
9	116B0-614	4	BOLT, hex head, 6x14	
10	<del>53050-001</del>	1	HOUSING, seat catch	NLA
11	<del>53051-001</del>	1	PLATE, seat catch	NLA
12	<del>53053-001</del>	1	SPRING, lever	NLA
13	53052-001	1	LEVER, seat catch	
14	<del>92102-011</del>	1	CAP, lever	NLA
15	<del>92088-017</del>	1	WASHER, lock	NLA
16	110N0-616	2	BOLT, hex head, 6x16	
17	461F0-600	2	WASHER, spring, 6mm	
18	411B0-600	2	WASHER, plain, 6mm	
19	53054-001	1	STOPPER, seat	
20	53055-001	1	SPRING, seat stopper	
21	92041-003	3	PIN, cotter	
22	53011-002	2	PIN, seat pivot	
23	27030-001	1	LOCK ASSY, seat	
24	<del>27008-0465-1</del>	1	KEY SET, #751	NLA
24	<del>27008-0465-2</del>	1	KEY SET, #752	NLA
24	<del>27008-0465-3</del>	1	KEY SET, #753	NLA
24	<del>27008-0465-4</del>	1	KEY SET, #754	NLA
24	<del>27008-0465-5</del>	1	KEY SET, #755	NLA
25	36014-045	1	COVER, chain	
26	<del>110N0-618</del>	1	BOLT, hex head, 6x18	NLA
27	92022-125	1	WASHER, plain, 6mm	
28	92001-115	1	BOLT, hex head, 6x14	
29	92022-195	1	WASHER, plain, 6mm	
30	312B0-600	1	NUT, 6mm	
31	220B0-514	2	SCREW-pan head, 5x14	

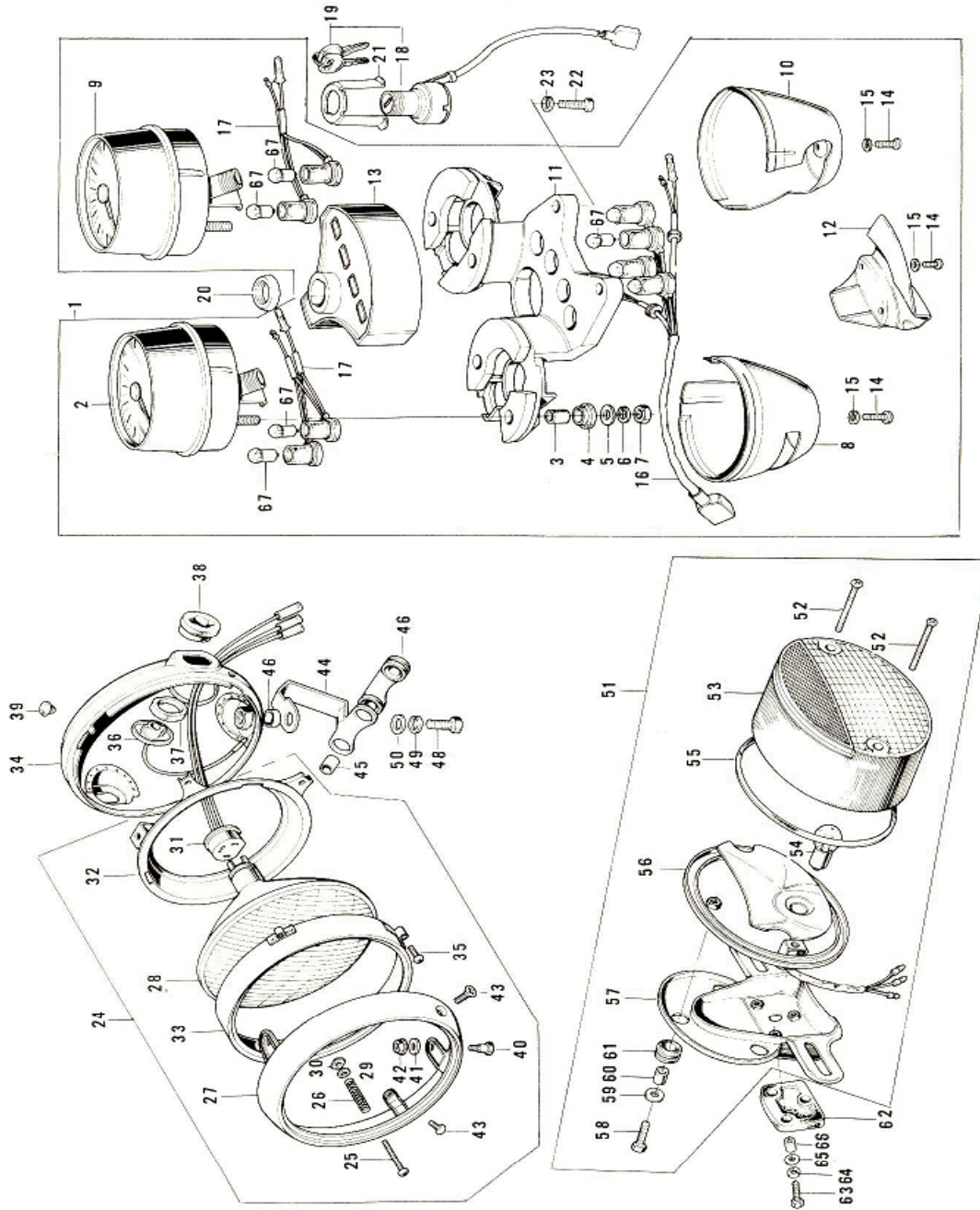
### 31. Cables



**31. Cables**

No.	Part No.	Q'TY	PART NAME	
1	54001-040	1	CABLE, speedometer	
1	54001-1005	1	CABLE, speedometer	<b>5cm länger</b>
2	54011-048	1	CABLE, clutch	
3	54012-081	1	CABLE, control closing	
4	54012-087	1	CABLE, control opening	<b>NLA</b>
5	54018-015	1	CABLE, tachometer	
6	92037-090	1	CLAMP, cable	<b>NLA</b>
7	92037-092	2	CLAMP, cable	
8	92037-093	1	CLAMP, cable	
9	92037-104	1	CLAMP, cable	<b>NLA</b>

### 32. Electrical Equipments 1/2

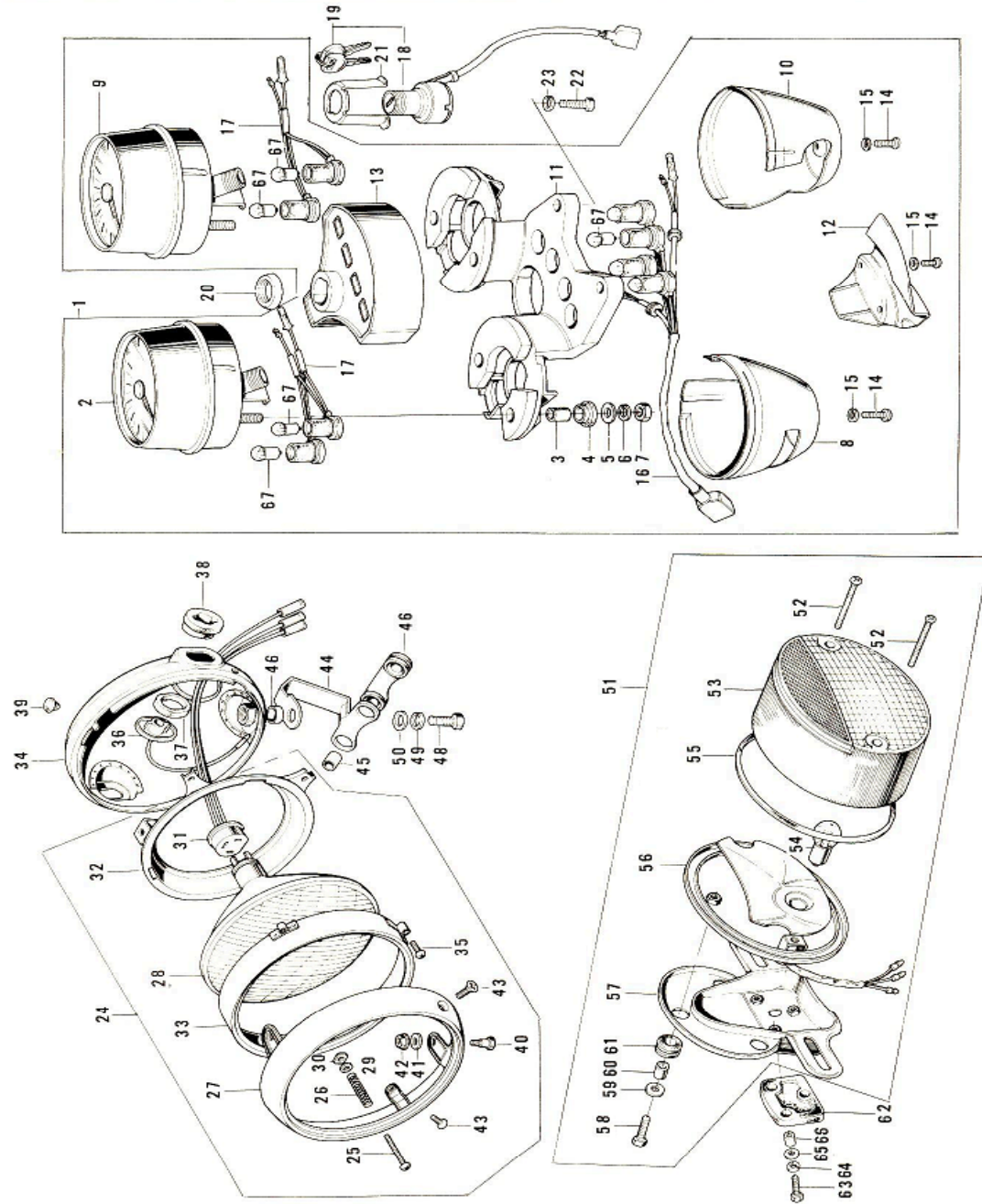


## 32. Electrical Equipments A 1/2

No.	Part No.	Q'TY	PART NAME	
1	-	-	SPEED + TACH METER ASSY	NLA
2	25002-065	1	SPEEDOMETER ASSY, KMH	
3	92027-174	4	COLLAR, meter	
4	92075-172	4	RUBBER, meter	
5	92022-241	4	WASHER, plain, 5mm	
6	461F0-500	4	WASHER, spring, 5mm	
7	312B0-500A	4	NUT, 5mm	
8	25012-010	1	COVER, speedometer	
9	25015-018	1	TACHOMETER ASSY	
10	25012-011	1	COVER, tachometer	
11	25008-025	1	BRACKET, meter	
12	<del>25024-001</del>	1	COVER, wiring harness	NLA
13	<del>25023-001</del>	1	COVER, indicator lamp	NLA
14	220B0-308A	5	SCREW, pan head 3x8	
15	461F0-300	5	WASHER, spring, 3mm	
16	<del>25011-026</del>	1	SOCKET ASSY, indicator lamp	NLA
17	25011-027	2	SOCKET ASSY, meter lamp	
18	27005-042	1	SWITCH ASSY, ignition	NLA
19	<del>27008-0465-1</del>	1	KEY SET, #751	NLA
19	<del>27008-0465-2</del>	1	KEY SET, #752	NLA
19	<del>27008-0465-3</del>	1	KEY SET, #753	NLA
19	<del>27008-0465-4</del>	1	KEY SET, #754	NLA
19	<del>27008-0465-5</del>	1	KEY SET, #755	NLA
20	27007-004	1	NUT, ignition switch lock	NLA
21	<del>27019-003</del>	1	HOLDER, igniton switch	NLA
22	110N0-832	2	BOLT, hex head, 8x32	NLA
23	461F0-800	2	WASHER, spring, 8mm	
24	<del>23003-017</del>	1	LAMP UNIT, head	NLA
25	23019-021	1	SCREW, focus adjusting	
26	23014-005	1	SPRING, focus adjusting	
27	23006-038	1	RIM, head lamp	
28	23007-041	1	SEALD BEAM UNIT	
29	23021-004	1	WASHER, plain, 5mm	
30	23020-018	1	NUT, 5mm	
31	<del>23008-037</del>	1	SOCKET, head lamp	NLA
32	23074-001	1	RING, head lamp mounting	
33	23072-001	1	RING, head lamp mounting	
34	<del>23005-0372-1</del>	1	BODY, head lamp	NLA
35	220B0-306A	2	SCREW, pan head, 3x6	
36	23076-001	2	COLLAR, head lamp body	
37	23066-001	2	DAMPER RUBBER, lamp body	
38	<del>23066-005</del>	2	DAMPER RUBBER, lamp body	NLA
39	92074-006	1	PLUG, rubber	



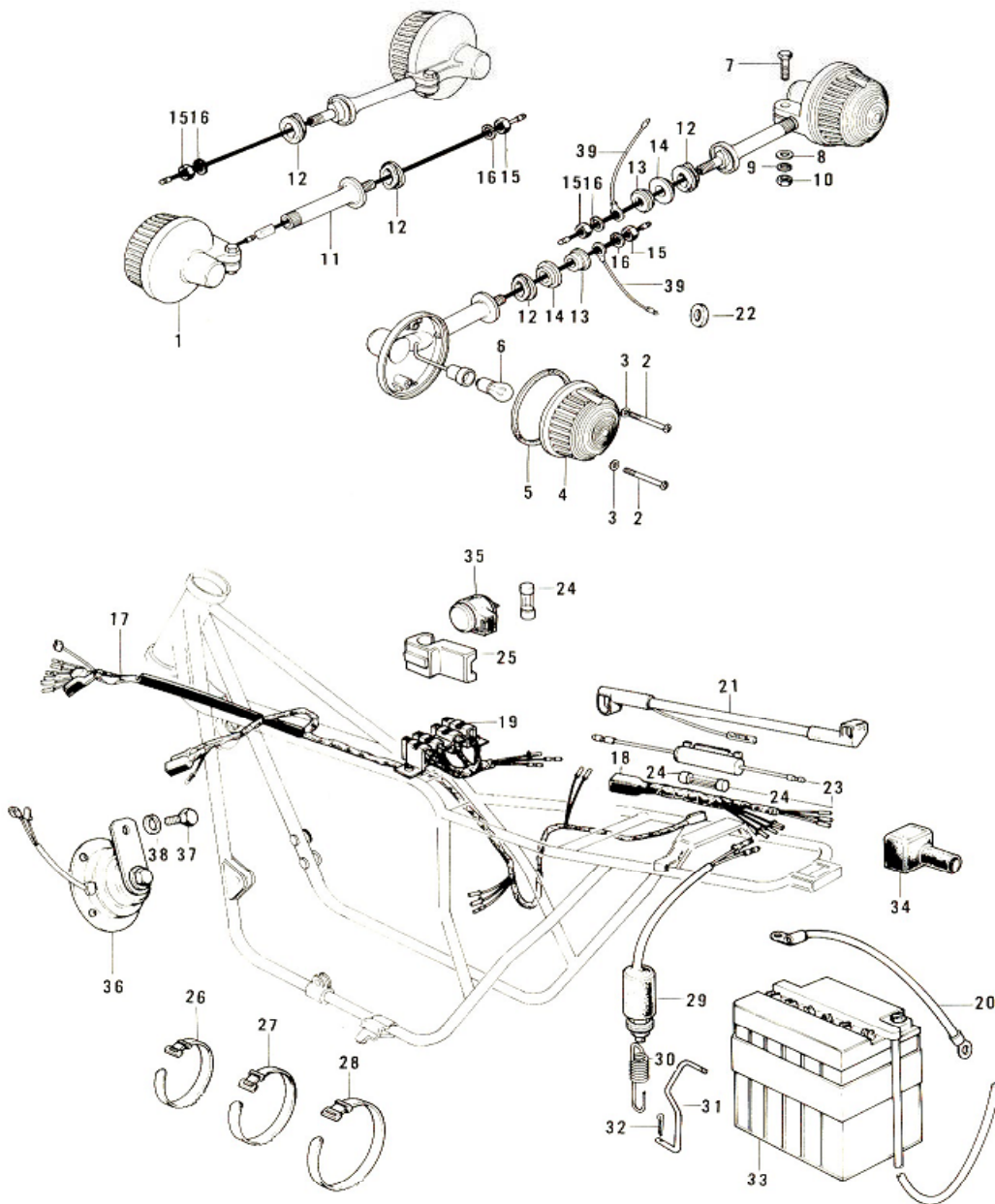
### 32. Electrical Equipments 2/2



## 32. Electrical Equipments 2/2

No.	Part No.	Q'TY	PART NAME	
40	23019-023	2	SCREW, pan head, 5x12	
41	23021-012	2	WASHER, plain, 5mm	
42	23020-023	2	NUT, 5mm	
43	23019-024	2	SCREW, pan head, 5mm	
44	23064-009	1	BRACKET, head lamp body	NLA
45	92027-162	2	COLLAR	
46	92075-127	1	DAMPER RUBBER, head lamp	NLA
47	92027-167	1	COLLAR, head lamp	NLA
48	116B0-818	1	BOLT, hex head, 8x18	
49	461F0-800	1	WASHER, spring, 8mm	
50	411B0-800	1	WASHER, plain, 8mm	
51	23024-043	1	LAMP ASSY, tail	NLA
52	220E0-435A	2	SCREW, pan head, 4x35	
53	23026-027	1	LENS, tail lamp	
54	92069-063	1	BULB, 12V-32/4cp	
55	23028-018	1	GASKET, tail lamp	
56	23027-030	1	CASE, tail lamp	
57	23036-017	1	BRACKET, license plate	NLA
58	112B0-622	3	BOLT, hex head, 6x20	
59	92022-125	3	WASHER, plain, 6mm	
60	92027-129	3	COLLAR	
61	92075-076	3	DAMPER RUBBER	
62	35039-004	1	SHOCK DAMPER, tail lamp	
63	116B0-625	3	BOLT, hex head, 6x25	
64	461F0-600	3	WASHER, plain, 6mm	
65	92027-156	3	COLLAR	
66	92075-121	3	DAMPER RUBBER	
67	92069-018	8	BULB, 12V-3W	

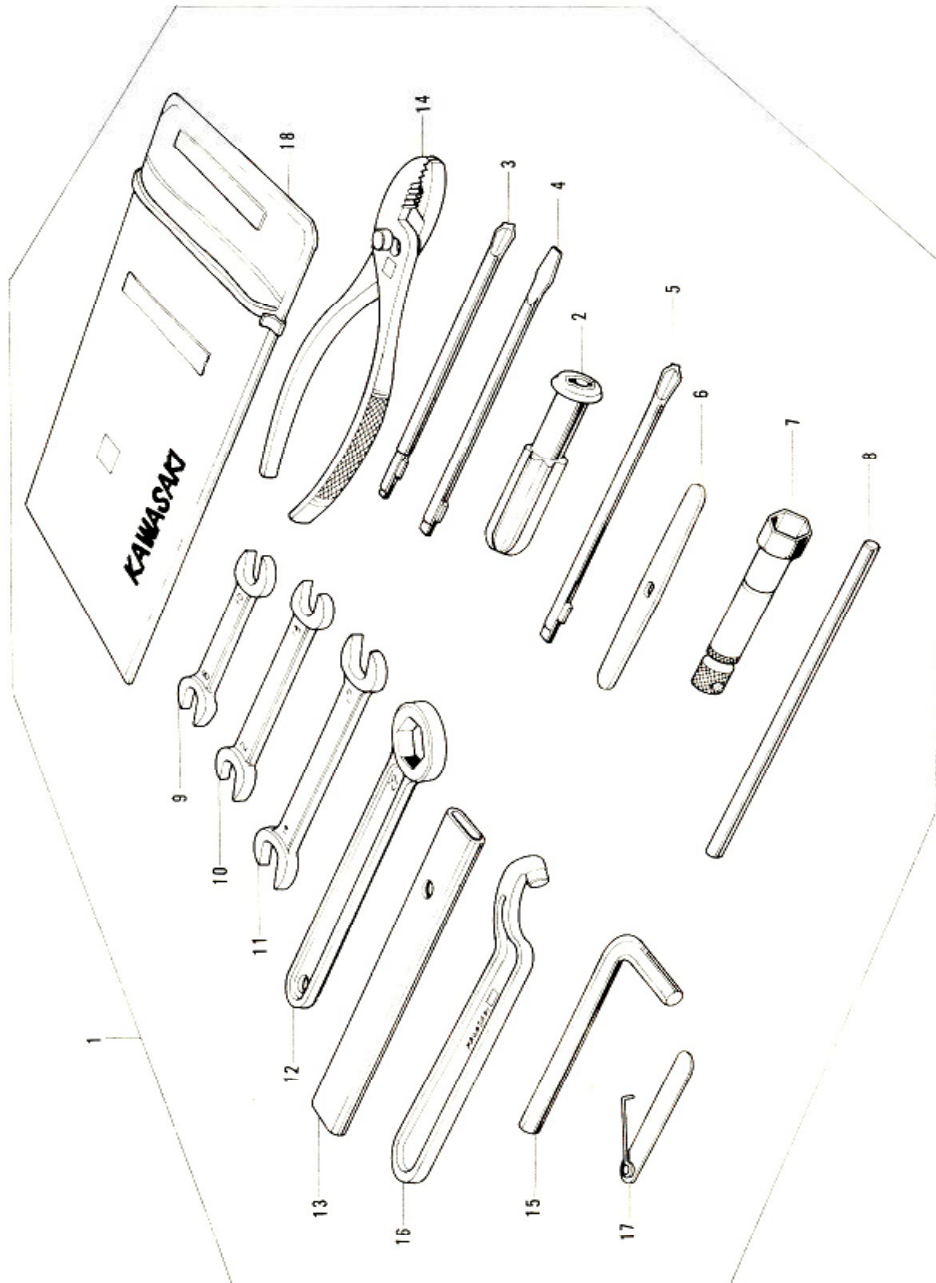
### 33. Electrical Equipments B



### 33. Electrical Equipments B

No.	Part No.	Q'TY	PART NAME	
1	23040-034	4	LAMP ASSY, turn signal	
2	220B0-430A	8	SCREW, pan head, 4x30	
3	23058-002	8	WASHER, plain, 4mm	
4	23048-012	4	LENS, turn signal lamp	
5	23050-002	4	GASKET, turn signal lamp lens	
6	92069-055	4	BULB, 12V-32cp	
7	110N0-630	4	BOLT, hex head, 6x30	
8	411B0-600	4	WASHER, plain, 6mm	
9	461F0-600	4	WASHER, spring, 6mm	
10	311B0-600	4	NUT, 6mm	
11	23078-001	4	BRACKET, turn signal lamp	
12	92075-128	4	RUBBER, turn signal lamp	
13	92027-147	2	COLLAR	
14	92075-158	2	RUBBER, turn signal lamp	
15	315B1-000	4	NUT, 10mm	
16	461F1-000	2	WASHER, spring, 10mm	
17	26001-072	1	WIRING HARNESS, main	NLA
18	26002-034	1	WIRING HARNESS, rear	NLA
19	26002-035	1	WIRING HARNESS, center	NLA
20	26040-028	1	WIRE, battery ground	NLA
21	26010-027	1	WIRE. Starter	
22	92022-239	2	WASHER, plain	
23	26004-013	1	FUSE ASSY	
24	26006-005	1	FUSE, 20A	
25	26046-002	1	HOLDER, spare fuse	NLA
26	92072-030	10	BAND, rubber, small	
27	92072-031	5	BAND, rubber, middle	
28	92072-032	5	BAND, rubber, large	
29	27010-019	1	SWITCH, brake lamp	
30	27011-009	1	SPRING, brake lamp switch	
31	27012-010	1	HOOK, brake lamp switch	
32	550D1-610	1	PIN, cotter, 1.6x10	
33	26012-027	1	BATTERY, 12V-14AH	
34	92075-162	1	RUBBER, battery	NLA
35	27001-011	1	RELAY, turn signal	
36	27003-029	1	HORN	NLA
37	116B0-814	1	BOLT, hex head, 8x14	
38	461F0-800	1	WASHER, spring, 8mm	
39	26011-063	2	LEAD WIRE, turn signal	

### 34. Tools

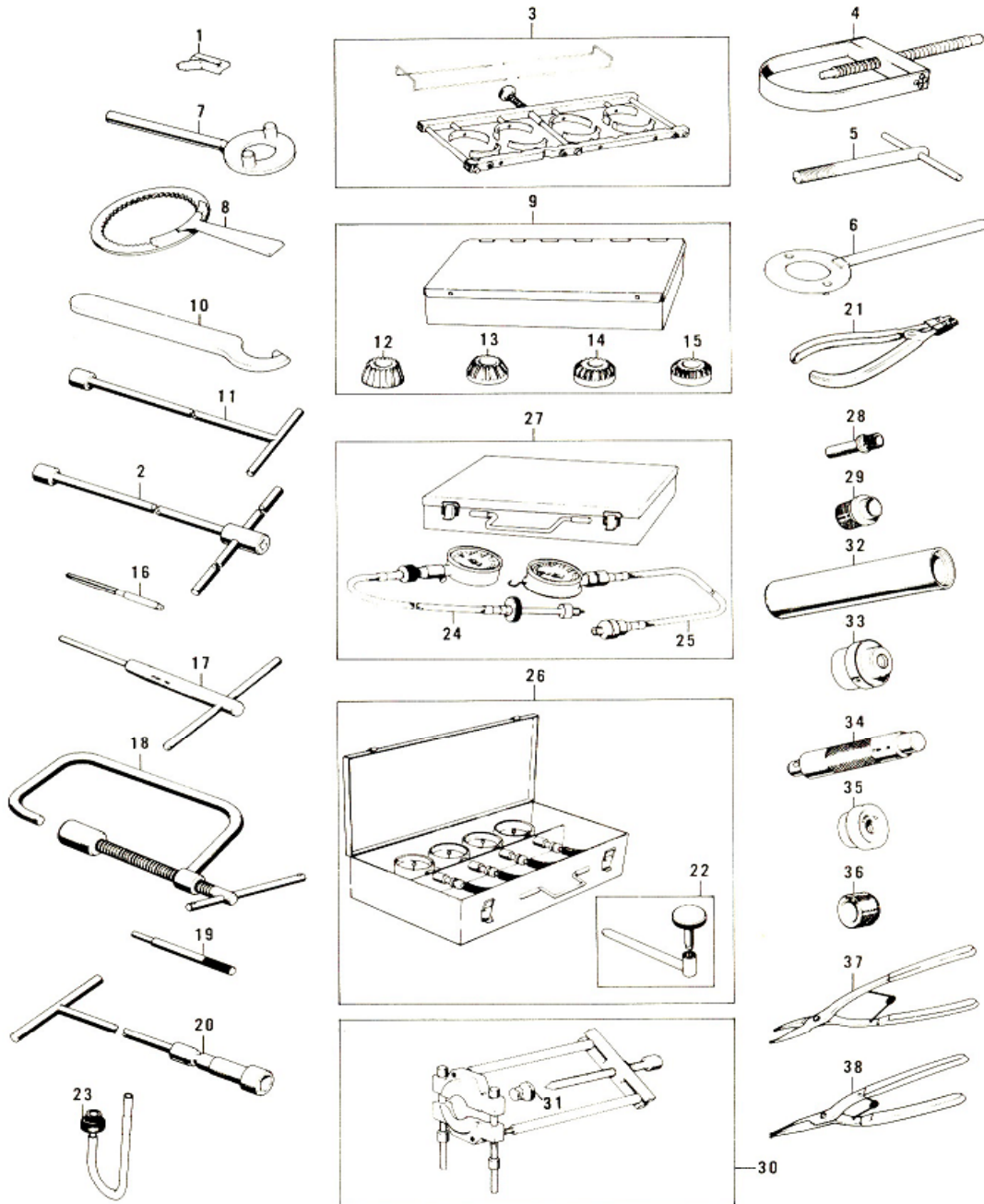


## 34. Tools

No.	Part No.	Q'TY	PART NAME	
1	<del>56007-029</del>	1	TOOL KIT	NLA
2	92106-004	1	GRIP, screw driver	
3	92107-006	1	SCREW DRIVER, #2 phillips	
4	92107-007	1	SCREW DRIVER, #3 slot	
5	92107-008	1	SCREW DRIVER, #3 phillips	
6	92110-1009	1	LEVER, screw driver	
7	92110-1050	1	WRENCH, spark plug	
8	92111-005	1	BAR, spark plug wrench	
9	92126-001	1	WRENCH, open end, 8x10	
10	<del>92126-002</del>	1	WRENCH, open end, 12x13	NLA
11	92110-1153	1	WRENCH, open end, 14x17	
12	92110-1147	1	WRENCH, box, 27mm	
13	92111-1052	1	BAR, wrench	
14	92112-003	1	PLIERS, 150mm	
15	<del>92127-001</del>	1	WRENCH, allen, 10mm	NLA
16	<del>92108-007</del>	1	ADJUSTER, rear shock absorber	NLA
17	<del>92128-001</del>	1	GAUGE, filler	NLA
18	56008-006	1	BAG, tool	



### 35. Special Service Tools





### 35. Special Service Tools

No.	Part No.	Q'TY	PART NAME	
1	57001-109	1	HOLDER, tappet	
2	57001-111	1	WRENCH, cylinder head bolt	NLA
3	57001-112	1	COMPRESSOR SET, piston ring	NLA
4	57001-114	1	PULLER, piston pin	
5	57001-1099	1	PULLER, dynamo rotor	
6	57001-117	1	HOLDER, dynamo rotor	NLA
7	57001-118	1	HOLDER, engine sprocket	NLA
8	57001-1243	1	HOLDER, clutch hub	
9	57001-128	1	CUTTER SET, valve seat	NLA
10	57001-134	1	WRENCH, stem nut	
11	57001-142	1	SOCKET, front fork piston	NLA
12	57001-101	1	CUTTER, valve seat, 30°	NLA
13	57001-102	1	CUTTER, valve seat, 45°	NLA
14	57001-103	1	CUTTER, valve seat, 60°	NLA
15	57001-104	1	CUTTER, valve seat, 60°	NLA
16	57001-162	1	REAMER, valve guide	
17	57001-106	1	HOLDER, valve seat cutter	
18	57001-107	1	COMPRESSOR, valve spring	NLA
19	57001-108	1	ARBOR, valve guide	
20	57001-110	1	WRENCH, spark plug	
21	57001-115	1	PLIERS, piston ring	
22	57001-120	1	ADJUSTER, throttle valve	
23	57001-122	1	GAUGE, float level	
24	57001-123	1	GAUGE, compression	
25	57001-125	1	GAUGE, oil pressure	
26	57001-127	1	GAUGE, vacuum	NLA
27	57001-129	1	GAUGE SET, oil & compression	NLA
28	57001-130	1	GUIDE, change shaft oil seal	NLA
29	57001-131	1	GUIDE, kickshaft oil seal	
30	57001-135	1	PULLER, stem bearing	
31	57001-136	1	ADAPTER, stem bearing	NLA
32	57001-137	1	DRIVER, stem bearing	
33	57001-138	1	DRIVER, stem cup	
34	57001-139	1	HOLDER, bearing driver	NLA
35	57001-140	1	DRIVER, wheel bearing	
36	57001-141	1	DRIVER, fork oil seal	
37	57001-143	1	PLIERS, circlip, inside	
38	57001-144	1	PLIERS, circlip, outside	

No.	Part No.	Picture
3	11002-011	1.
15	11004-052	1.
1	11006-013	3.
2	11009-030	3.
1	11011-022	14.
3	11012-030	14.
2	11013-034	14.
1	11022-004	1.
2	11023-006	1.
19	110B0-620	4.
8	110B0-632	21.
13	110B0-655	16.
2	110b0-816	21.
20	110B0-818	17.
5	110G0-610	2.
32	110G0-6125	11.
2	110G0-635	4.
9	110G0-635	13.
10	110G0-645	13.
17	110G0-650	13.
31	110G0-671	11.
21	110G0-840	17.
13	110G0-840	18.
22	110G0-856	17.
23	110G0-863	17.
9	110N0-610	16.
16	110N0-616	30.
26	110N0-618	30.
3	110N0-620	9.
7	110N0-630	33.
31	110N0-632	25.
32	110N0-640	25.
22	110N0-832	32.
58	112B0-622	32.
8	112G0-622	13.
15	112G0-625	13.
49	112G0-625	17.
16	112G0-635	13.
21	112N0-625	25.
19	113B1-022	21.
24	113B1-256A	17.
25	113B1-271A	17.
18	113N1-035	18.
8	114B1-025	10.
34	114G0-840	16.

No.	Part No.	Picture
55	116B0-610	17.
8	116B0-612	29.
22	116B0-614	10.
47	116B0-614	17.
9	116B0-614	30.
48	116B0-616	17.
15	116B0-616	21.
22	116B0-618	7.
56	116B0-620	17.
26	116B0-625	21.
63	116B0-625	32.
37	116B0-814	33.
48	116B0-818	32.
3	116B0-825	24.
13	12004-012	2.
14	12005-005	2.
4	12006-010	1.
5	12006-011	1.
9	12007-011	2.
10	12007-012	2.
8	12009-005	2.
12	12010-004	2.
7	12011-002	2.
6	12032-004	2.
15	12037-001	2.
15	12037-002	2.
15	12037-003	2.
15	12037-004	2.
15	12037-005	2.
15	12037-006	2.
15	12037-007	2.
15	12037-008	2.
15	12037-009	2.
15	12037-010	2.
15	12037-011	2.
15	12037-012	2.
15	12037-013	2.
15	12037-014	2.
15	12037-015	2.
15	12037-016	2.
15	12037-017	2.
15	12037-018	2.
15	12037-019	2.
15	12037-020	2.
15	12037-021	2.

No.	Part No.	Picture
15	12037-022	2.
15	12037-023	2.
15	12037-024	2.
15	12037-025	2.
1	12044-004	2.
2	12044-005	2.
3	12046-001	2.
4	12046-002	2.
17	12047-001	4.
10	12048-001	4.
7	12052-002	4.
8	12052-003	4.
22	12053-001	4.
14	12054-001	4.
11	12055-002	4.
16	12056-001	4.
1	12057-001	4.
6	12057-002	4.
30	120S0-635	16.
6	13001-054	3.
15	13002-007	16.
8	13002-022	3.
7	13008-038	3.
7	13024-046	3.
7	13025-046	3.
6	13027-056	3.
6	13029-058	3.
10	13031-043	3.
9	13034-030	1.
1	13058-044	10.
2	13061-017	10.
7	13063-004	10.
9	13066-029	10.
12	13068-028	10.
18	13070-005	10.
20	13072-012	10.
14	13078-006	10.
15	13081-045	7.
16	13087-031	7.
17	13088-030	7.
18	13089-022	7.
21	13091-011	7.
14	13095-036	7.
3	13102-013	7.
8	13116-021	7.

No.	Part No.	Picture
23	13116-022	7.
5	13118-007	7.
12	13127-042	8.
43	13128-037	8.
42	13129-046	8.
6	13130-032	8.
34	13131-038	8.
10	13132-030	8.
38	13133-031	8.
11	13134-016	8.
41	13135-046	8.
7	13136-042	8.
37	13137-025	8.
23	13140-045	8.
24	13140-046	8.
17	13142-013	8.
29	13144-046	8.
15	13151-018	8.
2	13157-004	9.
4	13161-029	9.
9	13168-024	9.
20	13187-006	7.
18	13194-003	16.
22	13209-011	8.
23	13223-006	1.
16	13239-010	8.
1	13242-006	9.
1	14001-052	5.
6	14013-001	5.
9	14024-007	11.
15	14024-008	11.
3	14026-011	11.
13	14026-012	11.
18	14027-015	11.
1	14031-053	11.
22	14032-075	11.
19	14032-082	11.
16	14032-083	11.
2	14045-014	11.
14	14045-015	11.
17	14046-023	11.
20	14046-024	11.
23	14046-025	11.
34	14050-006	11.
12	14058-004	11.

No.	Part No.	Picture
16	14068-003	5.
14	14070-003	5.
1	16001-147	12.
2	16001-172	12.
3	16001-173	12.
4	16001-174	12.
5	16001-175	12.
53	16003-007	12.
97	16003-008	12.
7	16005-023	12.
19	16007-018	12.
20	16008-004	12.
21	16009-055	12.
46	16012-015	12.
50	16013-003	12.
47	16013-008	12.
48	16016-010	12.
23	16017-064	12.
8	16019-018	12.
33	16019-019	12.
34	16020-015	12.
56	16021-018	12.
77	16021-019	12.
81	16021-020	12.
98	16021-021	12.
28	16022-007	12.
78	16022-009	12.
80	16022-010	12.
86	16023-004	12.
22	16025-051	12.
31	16029-004	12.
32	16030-017	12.
30	16031-024	12.
29	16032-003	12.
67	16033-016	12.
35	16038-009	12.
40	16039-012	12.
42	16039-013	12.
44	16039-014	12.
45	16039-015	12.
54	16039-016	12.
69	16039-017	12.
74	16039-018	12.
93	16039-019	12.
94	16039-020	12.

No.	Part No.	Picture
17	16040-004	12.
39	16040-005	12.
70	16040-007	12.
75	16040-008	12.
95	16040-009	12.
83	16041-004	12.
92	16041-005	12.
64	16042-005	12.
87	16042-006	12.
60	16046-002	12.
62	16046-003	12.
90	16046-004	12.
96	16046-005	12.
24	16047-002	12.
36	16049-003	12.
13	16052-003	12.
10	16054-003	12.
15	16054-004	12.
55	16054-005	12.
52	16055-002	12.
79	16055-003	12.
11	16057-002	12.
57	16057-003	12.
73	16063-001	12.
85	16063-002	12.
91	16063-003	12.
12	16065-017	12.
51	16065-018	12.
88	16065-019	12.
99	16065-020	12.
26	16065-022	1.
27	16065-023	1.
9	16067-003	12.
43	16067-003	12.
14	16067-004	12.
49	16067-005	12.
71	16067-006	12.
16	16068-007	12.
37	16068-008	12.
38	16073-002	12.
41	16073-003	12.
76	16073-005	12.
82	16073-006	12.
84	16073-007	12.
68	16074-001	12.

No.	Part No.	Picture
63	16077-007	12.
7	16082-037	11.
3	16085-019	13.
29	16099-002	13.
25	16101-002	13.
2	16109-003	5.
13	16110-002	13.
5	16111-002	13.
14	16112-002	13.
10	16115-013	5.
31	16144-002	16.
31	172G0-835	27.
8	18001-073	14.
9	18001-074	14.
10	18001-075	14.
11	18001-076	14.
24	18067-018	14.
21	18069-045	14.
22	18069-046	14.
27	21001-024	16.
28	21007-014	16.
29	21007-023	16.
2	21008-021	15.
3	21008-022	15.
5	21013-029	15.
2	21015-005	16.
8	21017-017	16.
6	21019-018	15.
4	21021-003	15.
5	21027-003	16.
6	21027-004	16.
7	21029-018	15.
4	21039-003	16.
7	21040-003	16.
25	21061-012	15.
27	21066-013	15.
13	21070-003	4.
18	21121-058	15.
19	21121-060	15.
8	21126-007	6.
24	21126-007	15.
58	21126-007	17.
24	21126-008	1.
20	21130-019	15.
21	21130-020	15.

No.	Part No.	Picture
22	21131-005	15.
23	21131-006	15.
1	21135-007	15.
15	21148-004	15.
1	21163-001	16.
28	21164-001	15.
11	21165-001	16.
12	21166-001	16.
14	21167-002	16.
17	21167-003	16.
35	220B0-306A	32.
14	220B0-308A	32.
8	220B0-406A	15.
28	220B0-408A	27.
2	220B0-430A	33.
6	220B0-508A	13.
5	220B0-512A	11.
12	220B0-512A	15.
31	220B0-514	30.
18	220B0-520	1.
13	220B0-520A	20.
6	220B0-528	11.
14	220B0-530A	20.
7	220B0-535A	14.
23	220B0-610	4.
20	220B0-612	1.
20	220B0-612	8.
25	220B0-612	11.
11	220B0-612	26.
4	220B0-616	7.
14	220B0-616	14.
17	220B0618	5.
16	220B0-618	1.
26	220B0-622	11.
27	220B0-625	11.
28	220B0-628	11.
29	220B0-630	11.
3	220B0-635	5.
30	220B0-640	11.
52	220E0-435A	32.
89	221B0-612	12.
7	222E0-508A	23.
18	223B0-412	12.
6	223B0-416	12.
24	23003-017	32.

No.	Part No.	Picture
34	<del>23005-0372-1</del>	32.
27	23006-038	32.
28	23007-041	32.
31	<del>23008-037</del>	32.
26	23014-005	32.
25	23019-021	32.
40	23019-023	32.
43	23019-024	32.
30	23020-018	32.
42	23020-023	32.
29	23021-004	32.
41	23021-012	32.
51	<del>23024-043</del>	32.
53	23026-027	32.
56	23027-030	32.
55	23028-018	32.
57	<del>23036-017</del>	32.
1	23040-034	33.
4	23048-012	33.
5	23050-002	33.
3	23058-002	33.
44	<del>23064-009</del>	32.
37	23066-001	32.
38	<del>23066-005</del>	32.
33	23072-001	32.
32	23074-001	32.
36	23076-001	32.
11	23078-001	33.
2	25002-065	32.
11	25008-025	32.
16	<del>25011-026</del>	32.
17	25011-027	32.
8	25012-010	32.
10	25012-011	32.
9	25015-018	32.
13	<del>25023-001</del>	32.
12	<del>25024-001</del>	32.
17	26001-072	33.
18	<del>26002-031</del>	33.
19	26002-035	33.
23	26004-013	33.
24	26006-005	33.
21	26010-027	33.
20	<del>26010-028</del>	33.
39	26011-063	33.

No.	Part No.	Picture
33	26012-027	33.
25	<del>26016-022</del>	33.
35	27001-011	33.
36	<del>27003-029</del>	33.
18	<del>27005-042</del>	32.
20	<del>27007-004</del>	32.
37	<del>27008-0465-1</del>	27.
24	<del>27008-0465-1</del>	30.
19	<del>27008-0465-1</del>	32.
37	<del>27008-0465-2</del>	27.
24	<del>27008-0465-2</del>	30.
19	<del>27008-0465-2</del>	32.
37	<del>27008-0465-3</del>	27.
24	<del>27008-0465-3</del>	30.
19	<del>27008-0465-3</del>	32.
37	<del>27008-0465-4</del>	27.
24	<del>27008-0465-4</del>	30.
19	<del>27008-0465-4</del>	32.
37	<del>27008-0465-5</del>	27.
24	<del>27008-0465-5</del>	30.
19	<del>27008-0465-5</del>	32.
29	27010-019	33.
30	27011-009	33.
31	27012-010	33.
36	27016-027	27.
21	<del>27019-003</del>	32.
23	27030-001	30.
32	<del>28012-008</del>	18.
34	<del>28012-009</del>	27.
20	310B0-600	4.
19	310B0-600	14.
26	310B0-600	15.
57	310B0-600	17.
8	<del>310N0-800</del>	27.
10	311B0-600	33.
26	311B0-800	17.
16	311B0-800	25.
33	311B0-800	27.
24	312B0-500A	20.
7	312B0-500A	32.
66	312B0-600	12.
50	312B0-600	17.
13	312B0-600	25.
30	312B0-600	30.
8	312B0-800	9.

No.	Part No.	Picture
12	312B0-800	18.
4	312B0-800	30.
29	313B1-000	18.
1	315B0-800	7.
12	315B1-000	19.
28	315B1-000	19.
15	315B1-000	33.
19	315B1-200A	19.
59	32002-055	17.
10	32030-025	17.
11	32030-026	17.
12	32030-027	17.
13	32030-028	17.
31	32097-022	17.
32	32098-019	17.
32	32099-010	21.
42	32103-003	17.
36	32105-005	17.
33	32129-001	17.
7	32131-001	29.
1	33001-046	18.
18	33028-011	19.
2	33032-036	18.
6	33033-009	18.
5	33034-009	18.
3	33035-003	18.
7	33036-005	18.
9	33040-049	18.
11	33044-001	18.
30	33122-010	21.
5	34003-036	19.
6	34003-037	19.
20	34011-029	19.
21	34019-014	19.
22	34023-012	19.
25	34024-038	19.
26	34025-005	19.
13	34028-010	19.
1	34028-011	19.
4	34028-012	19.
1	35003-015	21.
4	35022-071	21.
5	35022-072	21.
6	35026-006	21.
18	35032-022	21.

No.	Part No.	Picture
62	35039-004	32.
2	36001-0309-6	29.
1	36001-0369-6	29.
1	<del>36001-0369-7</del>	29.
2	<del>36007-0309-7</del>	29.
25	36014-045	30.
5	41023-015	22.
6	41023-1070	22.
7	41025-051	22.
8	41025-052	22.
11	41027-043	22.
9	41027-057	22.
12	41028-042	22.
1	41034-0212-1	23.
5	41039-019	23.
6	41042-009	23.
8	41045-006	24.
6	41048-014	24.
7	41049-007	24.
5	41050-011	24.
4	41051-003	24.
10	41057-057	22.
12	41059-016	23.
16	41060-012	23.
14	41062-005	23.
15	41063-001	23.
10	41064-007	23.
17	41068-036	23.
18	41069-018	23.
16	41074-031	22.
13	41075-001	22.
14	41075-002	22.
15	41075-003	22.
9	41078-001	23.
22	41080-001	26.
13	41082-001	23.
10	410B0-400	15.
14	410B0-500	15.
18	410B0-600	4.
9	410B0-600	6.
11	410B0-600	13.
18	410B0-600	13.
10	410B0-600	16.
54	410B0-800	17.
17	410B1-000	14.



No.	Part No.	Picture
25	410B1-000	26.
21	410B1-200	18.
24	411B0-600	7.
52	411B0-600	17.
16	411B0-600	21.
22	411B0-600	25.
34	411B0-600	25.
7	411B0-600	30.
18	411B0-600	30.
8	411B0-600	33.
50	411B0-800	32.
27	411B1-000	18.
21	411B1-000	21.
72	416F0-500	12.
27	416F0-600	21.
14	416F0-800	18.
10	42005-030	24.
1	42006-053	24.
15	42008-013	24.
13	42010-021	24.
12	42014-021	24.
22	42025-005	24.
2	42029-021	24.
23	42031-034	24.
24	42032-037	24.
16	42036-015	24.
20	42037-020	24.
28	42041-118	24.
25	42045-018	24.
17	42048-023	22.
30	43001-044	19.
12	43003-001	25.
31	43005-021	19.
25	43007-032	18.
36	43011-017	19.
37	43012-001	19.
1	43015-001	25.
24	43016-001	25.
10	43017-001	25.
9	43018-001	25.
8	43019-001	25.
6	43022-001	25.
4	43024-001	25.
3	43025-001	25.
18	43026-001	25.

No.	Part No.	Picture
19	43027-001	25.
20	43028-001	25.
11	43029-002	25.
17	43030-002	25.
14	43031-001	25.
23	43034-001	25.
1	43041-004	26.
19	43042-004	26.
13	43043-003	26.
4	43044-004	26.
10	43045-003	26.
8	43046-001	26.
7	43047-001	26.
17	43048-002	26.
18	43049-002	26.
15	43050-002	26.
14	43051-001	26.
3	43052-003	26.
9	43053-002	26.
16	43054-002	26.
6	43056-003	26.
5	43057-003	26.
28	43059-007	25.
35	43059-011	25.
36	43060-004	25.
30	43061-002	25.
37	43063-001	25.
38	43064-001	25.
29	43065-001	25.
26	43066-001	25.
25	43067-001	25.
27	43069-001	25.
23	43070-001	26.
7	43072-001	25.
2	43073-001	25.
2	43073-004	26.
15	43074-001	25.
26	43076-001	26.
1	44001-095	27.
25	44005-045	27.
26	44006-043	27.
24	44009-014	27.
21	44010-018	27.
19	44013-037	27.
20	44022-010	27.

No.	Part No.	Picture
18	44026-042	27.
10	44033-046	27.
11	44034-046	27.
15	44037-049	27.
4	44039-045	27.
5	44041-038	27.
30	44041-040	27.
6	44041-048	27.
23	44043-044	27.
22	44044-012	27.
27	44045-002	27.
29	44045-034	27.
14	44045-038	27.
3	44046-015	27.
2	44062-003	27.
32	44063-003	27.
9	44064-005	27.
12	44064-006	27.
13	44064-008	27.
16	45014-072	18.
24	45016-003	18.
22	45017-001	18.
23	45017-011	18.
1	46003-029	20.
2	46012-008	20.
6	46018-025	20.
25	46019-025	20.
10	46028-003	20.
12	46031-005	20.
9	46043-004	20.
17	46043-005	20.
26	46044-013	20.
21	46059-011	20.
7	46061-012	20.
16	46075-017	20.
18	46076-025	20.
11	46079-003	20.
15	46091-009	20.
19	46092-016	20.
22	46094-0112-1	20.
5	46098-010	17.
3	46100-003	17.
8	46132-001	20.
15	461F0-300	32.
9	461F0-400	15.

No.	Part No.	Picture
13	461F0-500	15.
6	461F0-500	32.
65	461F0-600	12.
20	461F0-600	14.
3	461F0-600	16.
51	461F0-600	17.
9	461F0-600	21.
33	461F0-600	25.
12	461F0-600	26.
9	461F0-600	29.
8	461F0-600	30.
17	461F0-600	30.
64	461F0-600	32.
9	461F0-600	33.
28	461F0-800	17.
33	461F0-800	19.
4	461F0-800	20.
3	461F0-800	21.
7	461F0-800	27.
23	461F0-800	32.
49	461F0-800	32.
38	461F0-800	33.
29	461F1-000	17.
19	461F1-000	18.
31	461F1-000	18.
20	461F1-000	21.
24	461F1-000	26.
16	461F1-000	33.
30	461F1-200	17.
20	461F1-200	18.
17	461F1-200	27.
21	464G0-600	8.
23	464H0-500	20.
27	480J1-200	8.
17	480J1-900	10.
9	480J2-800	8.
36	480J3-000	8.
5	481J1-800	25.
3	481J4-000	23.
4	482J0-100	10.
2	482K7-000	13.
1	51001-0779-6	28.
1	51001-0779-7	28.
11	51023-028	28.
12	51035-009	28.

No.	Part No.	Picture
14	51037-010	28.
2	51048-007	28.
3	51059-008	28.
6	<del>51063-002</del>	28.
14	52001-031	29.
12	52003-020	29.
15	52005-005	29.
21	52015-004	11.
16	52020-001	29.
1	53001-076	30.
5	<del>53009-017</del>	30.
22	53011-002	30.
23	53043-0049-6	21.
23	<del>53043-0049-7</del>	21.
10	<del>53050-001</del>	30.
11	53051-001	30.
13	53052-001	30.
12	<del>53053-001</del>	30.
19	53054-001	30.
20	53055-001	30.
6	53056-001	30.
1	54001-040	31.
1	54001-1005	31.
2	54011-048	31.
3	54012-081	31.
4	<del>54012-087</del>	31.
5	54018-015	31.
32	550D1-610	33.
7	550D1-615	7.
17	550D2-012	19.
3	550D2-515	19.
9	550D3-025	24.
26	550D4-035	24.
7	551A0-314	13.
11	551A0-408	15.
24	<del>551A0-622</del>	16.
4	552A1014	3.
7	552A1-014	5.
5	56002-021	20.
1	56007-029	34.
18	56008-006	34.
15	56013-045	28.
16	56014-039	28.
20	56018-139	29.
5	56018-148	29.

No.	Part No.	Picture
12	57001-101	35.
13	57001-102	35.
14	57001-103	35.
15	57001-104	35.
17	57001-106	35.
18	57001-107	35.
19	57001-108	35.
1	57001-109	35.
5	57001-1099	35.
20	57001-110	35.
2	57001-111	35.
3	<del>57001-112</del>	35.
4	57001-114	35.
21	57001-115	35.
6	57001-117	35.
7	57001-118	35.
22	57001-120	35.
23	57001-122	35.
24	57001-123	35.
8	57001-1243	35.
25	57001-125	35.
26	<del>57001-127</del>	35.
9	<del>57001-128</del>	35.
27	<del>57001-129</del>	35.
28	<del>57001-130</del>	35.
29	57001-131	35.
10	57001-134	35.
30	57001-135	35.
31	57001-136	35.
32	57001-137	35.
33	57001-138	35.
34	<del>57001-139</del>	35.
35	57001-140	35.
36	57001-141	35.
11	<del>57001-142</del>	35.
37	57001-143	35.
38	57001-144	35.
16	57001-162	35.
40	600A0-600	8.
5	600A0-800	10.
7	600A0-800	17.
10	600A1-200	7.
32	600A1-200	13.
4	601B6-203	23.
18	601B6-206	24.

No.	Part No.	Picture
11	601B6-304	24.
14	601B6-304Z	24.
8	610A0-614	5.
9	670B1-507	7.
22	670B1-508	13.
22	670B1-510	1.
4	670B2-015	5.
17	670B2-015	29.
13	670B2-016	5.
24	670B2-016	13.
20	670B2-018	5.
20	670B2-022	13.
26	671B2-5105	13.
4	671B2-530	18.
10	92001-038	18.
20	92001-104	26.
12	92001-112	9.
17	92001-113	15.
53	92001-115	17.
28	92001-115	30.
16	92001-119	9.
16	92003-064	27.
27	92003-079	19.
10	92003-092	1.
21	92003-093	4.
23	92003-094	13.
31	92003-095	13.
12	92003-098	5.
16	92003-099	17.
17	92003-100	24.
28	92003-101	18.
26	92003-103	18.
23	92003-104	16.
10	92003-106	6.
18	92003-107	5.
11	92003-107	6.
12	92003-108	6.
4	92003-109	6.
13	92003-109	6.
5	92003-110	6.
14	92003-110	6.
6	92003-111	6.
15	92003-112	6.
7	92003-113	6.
16	92003-114	6.

No.	Part No.	Picture
15	92003-131	14.
21	92004-045	5.
1	92004-045	6.
23	92004-046	5.
3	92004-046	6.
22	92004-047	5.
2	92004-047	6.
9	92004-048	19.
7	92004-049	1.
15	92005-002	18.
3	92007-002	20.
20	92007-020	20.
1	92007-031	17.
17	92012-003	28.
2	92014-014	7.
38	92014-016	27.
11	92015-053	1.
39	92015-056	19.
14	92016-028	8.
24	92016-044	19.
27	92016-045	17.
6	92018-003	29.
16	92019-004	14.
19	92019-004	17.
40	92019-008	19.
8	92019-012	18.
10	92019-013	19.
34	92019-013	19.
17	92020-014	18.
46	92022-024	17.
22	92022-044	21.
10	92022-044	28.
3	92022-085	10.
43	92022-125	17.
27	92022-125	30.
59	92022-125	32.
4	92022-1415	13.
32	92022-195	19.
29	92022-195	30.
15	92022-199	19.
8	92022-204	19.
13	92022-207	10.
39	92022-209	8.
33	92022-210	8.
4	92022-211	8.

No.	Part No.	Picture
5	92022-212	8.
5	92022-213	8.
12	92022-215	1.
35	92022-218	16.
28	92022-220	13.
14	92022-227	21.
10	92022-228	21.
2	92022-230	17.
22	92022-239	33.
5	92022-241	32.
16	92022-244	15.
27	92022-248	24.
21	92024-036	10.
8	92024-042	8.
35	92024-043	8.
28	92024-044	8.
13	92024-047	9.
34	92024-048	13.
11	92026-022	7.
22	92026-082	16.
16	92026-091	16.
26	92026-092	16.
60	92027-129	32.
13	92027-147	33.
30	92027-152	8.
3	92027-155	4.
40	92027-156	17.
65	92027-156	32.
17	92027-159	17.
18	92027-160	17.
12	92027-162	21.
24	92027-162	21.
45	92027-162	32.
39	92027-165	17.
47	92027-167	32.
23	92027-170	14.
3	92027-174	32.
41	92027-177	19.
48	92028-1006	8.
47	92028-117	8.
1	92028-122	8.
44	92028-123	8.
11	92028-124	10.
12	92028-127	7.
26	92031-001	8.

No.	Part No.	Picture
2	92033-025	8.
10	92033-025	10.
6	92036-020	1.
9	92036-021	3.
5	92037-028	14.
58	92037-072	12.
6	92037-090	31.
7	92037-092	31.
8	92037-093	31.
13	92037-103	14.
9	92037-104	31.
11	92038-001	3.
21	92041-003	30.
30	92041-005	18.
8	92042-007	1.
9	92042-007	5.
12	92042-007	13.
19	92042-014	8.
18	92042-020	8.
5	92042-028	3.
25	92043-016	8.
7	92043-058	9.
38	92043-065	19.
4	92043-074	28.
16	92043-079	19.
2	92043-080	19.
14	92043-085	9.
20	92043-087	16.
5	92043-091	28.
35	92043-095	19.
45	92043-109	8.
32	92045-021	8.
46	92045-022	8.
13	92046-028	7.
3	92046-031	8.
25	92046-033	16.
6	92047-011	17.
39	92047-012	27.
9	92048-006	17.
8	92048-008	17.
24	92049-001	11.
4	92049-004	11.
33	92049-011	18.
11	92049-016	2.
2	92050-003	23.

No.	Part No.	Picture
11	92050-024	11.
19	92050-027	24.
11	<del>92050-046</del>	23.
33	92050-047	11.
10	92050-048	11.
21	92050-050	1.
31	92055-035	8.
30	92055-048	13.
11	92055-049	5.
15	92055-052	5.
35	92055-052	13.
8	<del>92055-053</del>	11.
3	92055-054	3.
32	92055-055	16.
29	<del>92057-018</del>	24.
19	92059-057	29.
18	92059-071	29.
4	<del>92059-078</del>	14.
12	92059-079	14.
19	<del>92059-081</del>	5.
61	<del>92059-085</del>	12.
59	92059-144	12.
26	92063-073	12.
26	92063-074	12.
26	92063-075	12.
27	<del>92063-076</del>	12.
26	92063-077	12.
25	92064-035	12.
13	92065-081	28.
13	92065-086	29.
14	92066-017	1.
5	92066-021	5.
21	92066-024	13.
19	92066-026	13.
13	92068-006	1.
67	92069-018	32.
6	92069-055	33.
54	92069-063	32.
25	92070-037	1.
17	92071-019	21.
3	92071-056	29.
4	92071-064	29.
26	92072-030	33.
27	92072-031	33.
28	92072-032	33.

No.	Part No.	Picture
9	92072-042	28.
35	92072-045	17.
10	92072-045	29.
60	<del>92072-057</del>	17.
39	92074-006	32.
28	92074-022	21.
33	<del>92074-024</del>	21.
23	92075-015	19.
44	92075-051	17.
61	92075-076	32.
45	92075-078	17.
11	92075-078	29.
8	92075-084	28.
3	92075-099	30.
4	92075-119	4.
5	92075-120	4.
11	92075-121	21.
66	92075-121	32.
9	92075-122	4.
12	92075-123	4.
7	92075-125	28.
46	<del>92075-127</del>	32.
12	92075-128	33.
7	92075-132	21.
13	92075-133	21.
34	92075-135	21.
2	92075-139	30.
7	92075-140	19.
34	<del>92075-141</del>	17.
37	<del>92075-146</del>	17.
41	92075-149	17.
29	92075-157	19.
14	92075-158	33.
38	92075-161	17.
34	<del>92075-162</del>	33.
4	92075-172	32.
25	92075-174	21.
31	92075-175	21.
33	92075-193	16.
29	92075-266	21.
14	92076-024	19.
6	92081-020	10.
11	92081-051	9.
6	92081-069	7.
15	92081-104	10.

